

Please read this manual carefully before use, and welcome your valuable comments.

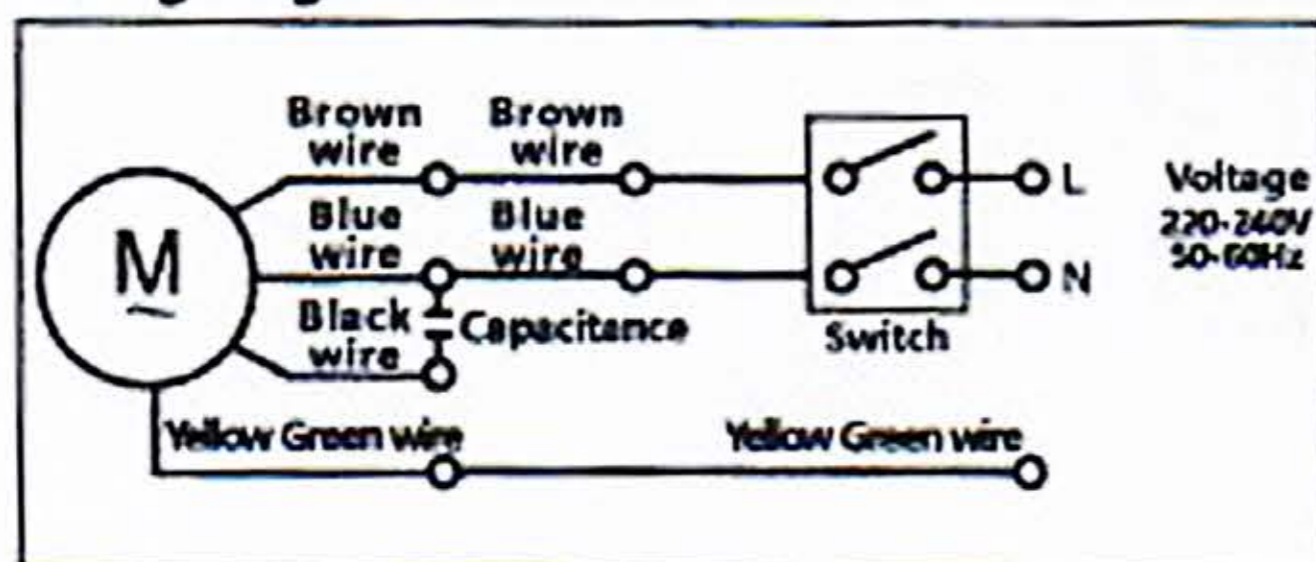
Thanks you for choosing our products, we are specialized, professional, focused attitude to provide you safe exhaust fans.

## Product Parameters

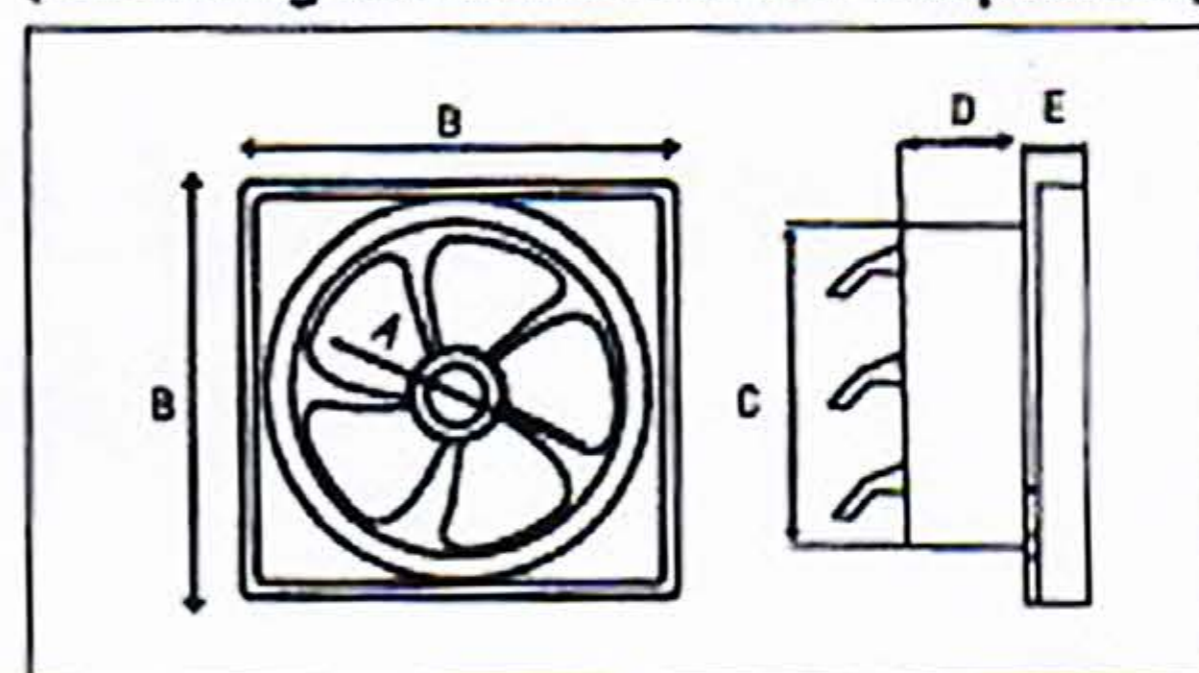
Size	Voltage (v)	Frequency (Hz)	Power (w)	Speed (r/m)	Air Volume (m <sup>3</sup> /h)
Inch: 6"	220-240~	50/60	26	1250	270
Inch: 8"	220-240~	50/60	30	1240	540
Inch: 10"	220-240~	50/60	30	1300	720
Inch: 12"	220-240~	50/60	40	1170	1080

## Installation method

### wiring diagram



### Installation Size (According to the actual size of the product)



### Installation Instruction

