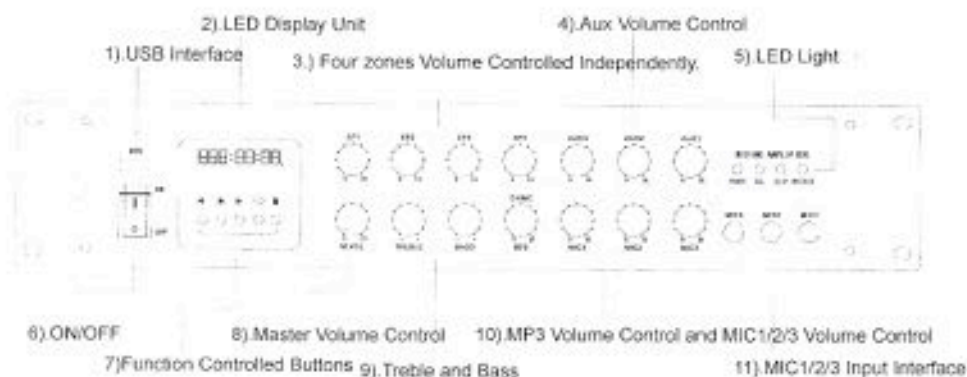


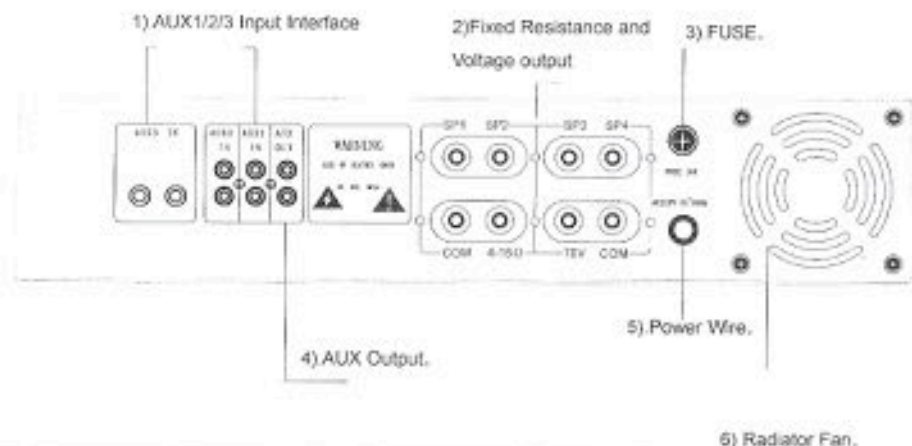
## 1. Performance Information

The power output of this machine: Fixed resistance 4-16ohm, Fixed Voltage. 70V/110V. 3 MIC inputs, 3 Aux inputs, 1 Aux outputs, MIC1 with Mute priority function, treble and bass. For the convenience of our customers to use, this machine is with display unit and USB decoding function, MP3, WMA formats, very suitable for public broadcasting, signal output short circuit protection. Also it has four zones, increase practical applicability.

## 2. Front Panel Information



## 3. Back Panel Information



## 4. Instruction of Function Controlled Buttons

- ◀ PREV
- ▶ NEXT
- ⏸ PAUSE /PLAY
- ⏪ Model: Audio Mode Switched, When Pressed More Than 3 Seconds, it will be turned single repeated.
- . STOP

## 5. Technical Features

- 1) Power output 350W
- 2) Output Form: 4-16ohm , 70V/110V
- 3) Frequency response :40Hz-18KHz±0.5dB
- 4) Total Harmonic Distortion: <0.2%(Rated power output)
- 5) S/n Ratio: MIC>70dB, Circuit>76dB
- 6) Power Volatage: AC220 ± 10% 50Hz/DC12V
- 7) Volume: 480mm\*370mm\*88mm

## 6. Note

- 1) This machine is I Class machine, we should keep the machine enclosure and ground contacted, to avoid electric shock.
- 2) AC220±10% (50Hz-60Hz)/.
- 3) Don't Put the Vents to Avoid Emission Effect.
- 4) If you need take out the USB Disk, pls put off the machine at first. When USB Disk is not working, Pls keep the MP3 Volume Control off.
- 5) To Avoid Unnecessary Load Circuit.
- 6) When the Machine is Abnormal, Non-professional Persons Do not Open and Maintain It. to Avoid Electric Shock Accidents.

BUY ON  
[www.cablematic.com](http://www.cablematic.com)