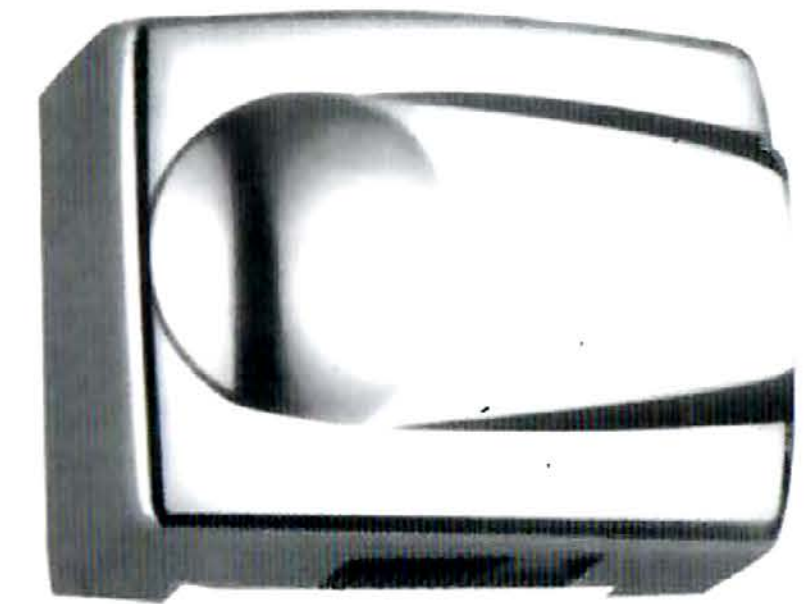


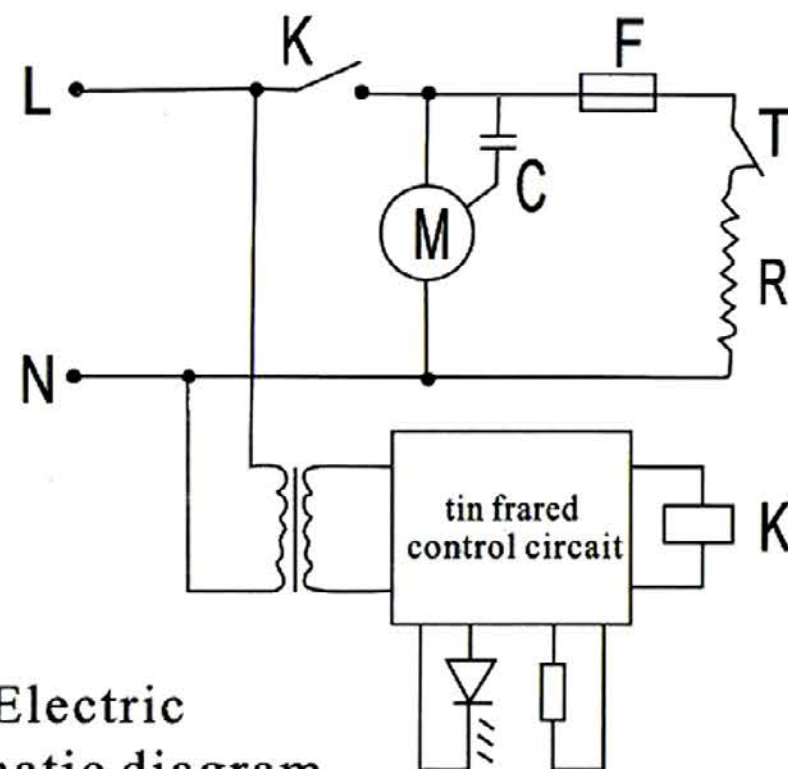
Technical data	
Voltage	220V-50Hz
Rated Power	1500W
Temperature of overheat protection	125C*
Delay tome on/off seitch	<1s/<5s
Sensing distance	<10cm
Net weight	2.38kg
Electromotor rev	2500rpm
Power rating motor	75w

Time of purchase	
Address of purchase	
Dealer	
Model	
Records:	

# HAND DRYER



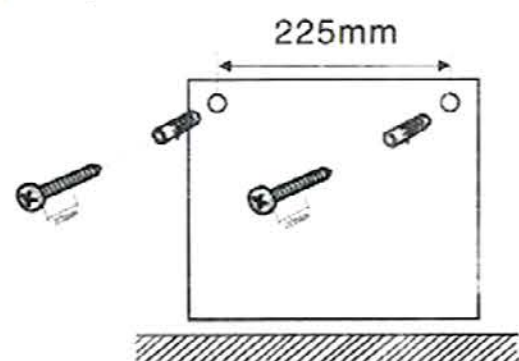
Power diagram



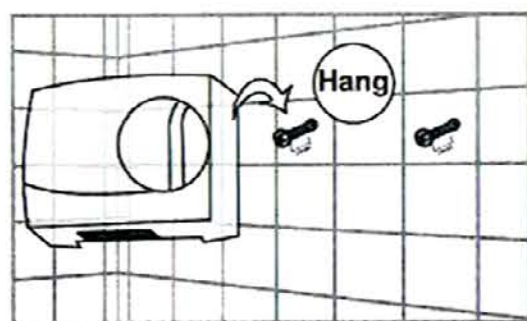
Electric schematic diagram

## Usage 1

1. According to the size (Pic 1), drill two holes spaced 225mm, then remove the accessories, installed by rubber plugs and screws. (Aside the screw of 20MM to hang the machine)
2. As (Pic 2) shown, fix the machine with two screws, machine installed completely.



Pic 1



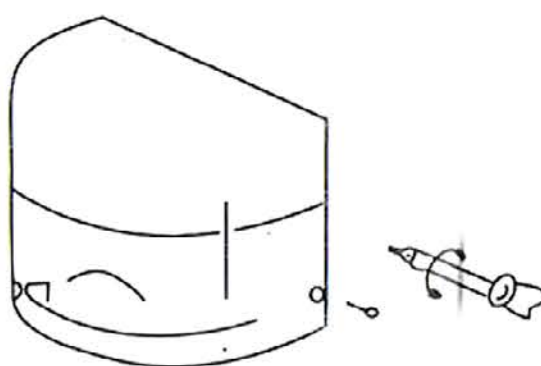
Pic 2

## NOTICE

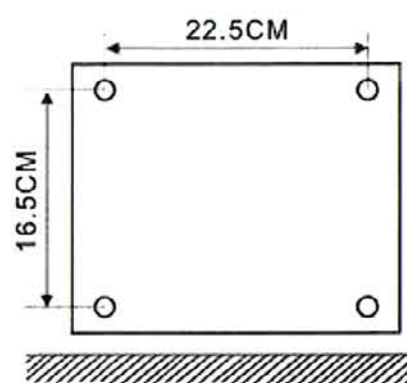
- 1) The machine should fix firmly and fastened on the wall.
- 2) Don't stop the draftmouth.
- 3) You should cut off the power immediatcly when the machine occorents breakdown, at the same time, you'd better stop to use and contact the seller.
- 4) Forbid to wipe the outer shell with caustic liquid, such as banana water, alcohol.
- 5) If there is dirt on the outer shell, you could wipe with soap of the wet lowel when entting off power.
- 7) Don't dismantle by yourself if you are not a professional.
- 2) Don't install the wall which raw material is easy-fired.

## Usage 2

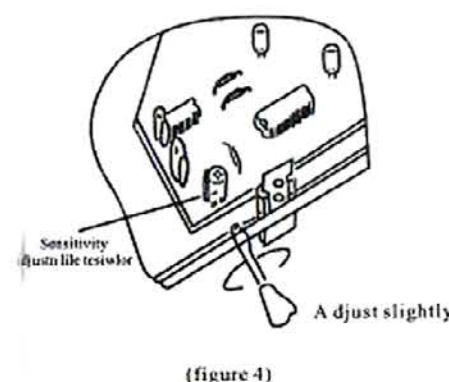
1. After the installation of hand dryer, get through the power source, the machine is in the state of working. (when get through the power source, it is normal that the hand dryer automatically works one time.)
2. When the distance between the hand and the wind outlet is within 15 cm, the device will automatically start and send hot wind. after the hand gets away, the device will automatically stop.
3. The hand dryer will automatically stop after 1 second the hands get away from the dryer. Take into consideration different installation environments, the off-line wire launcher has been adjusted in the most sensitive position before the machine leaves the factory. in case of long time working or nonworking when installation, can adjust as shown in the figure. (figure 4)



(figure 2)



(figure 3)



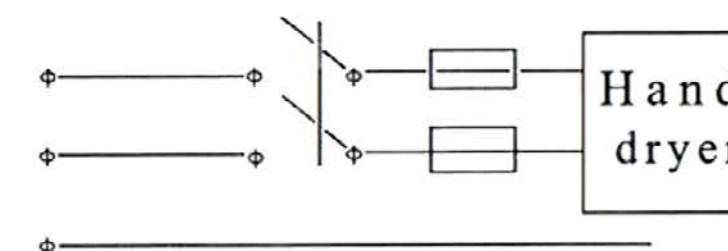
(figure 4)

## Descriptions

- 1 Automatic hand dryer is a new-style modern product. It is used for human hands, with the features as disinfection, quick in drying, health protection, it is suitable for hotel, wine house, household etc.
- 2 Infrared automatically-controlled, 12m 75°C hot wind each minute. When the distance between the hand and the wind outlet is within 15cm, the device will automatically start and send hot wind. After one second the hand gets away, the device will automatically stop.
- 3 Equipped with a temperature controller inside, when incorrect operation or the temperature exceeds 125°C, device will automatically cut off hot wind and send cool air.

## Installation

Before connect the power source, should connect one two-circuit micro switch, the contact distance > 3mm, this machine need grounding. (Figure 1)

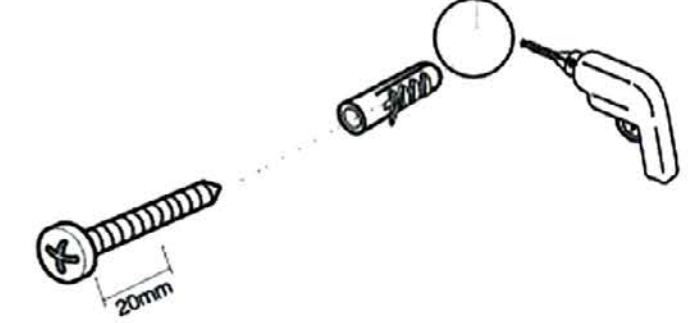
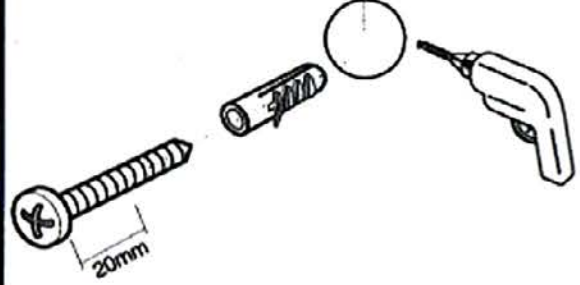


(figure 1)

1. Take down the screws on two sides of the shell as figure 2, drill  $\varnothing 8$  hole as the sizes shown in figure 3, fix the machine on the wall with the glue plug and screws attached with this machine. (Notes: when dismantlement of shell, should carefully remove the yellow-green two-color earth wire of the shell from the base. (figure 2) (figure 3))
2. Remove the original power wire of the machine and make the wire pass through the round hole, respectively connect live wire L, null line N and earth wire in the L, N, position, the yellow-green wire is earth wire.
3. Insert the yellow-green earth wire of the shell into the base, and then, close the shell, fix the shell with the original screws of the machine

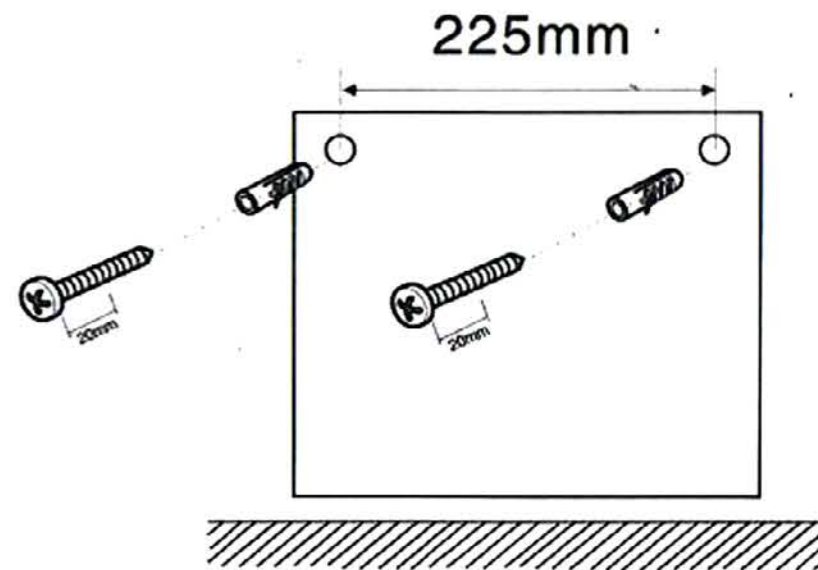
225mm

# FIX PLATE

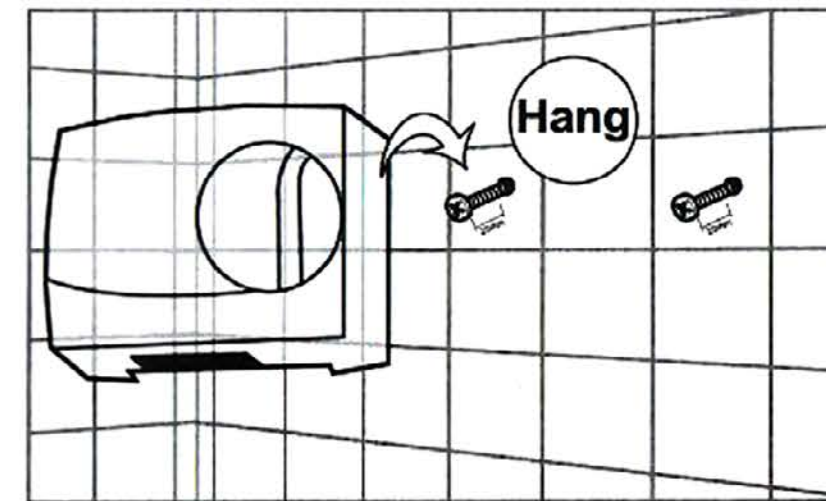


## Fix Method:

1. According to the size (Pic 1), drill two holes spaced 225mm, then remove the accessories, installed by rubber plugs and screws. (Aside the screw of 20MM to hang the machine)
2. As (Pic 2) shown, fix the machine with two screws, machine installed completely.



Pic 1



Pic 2