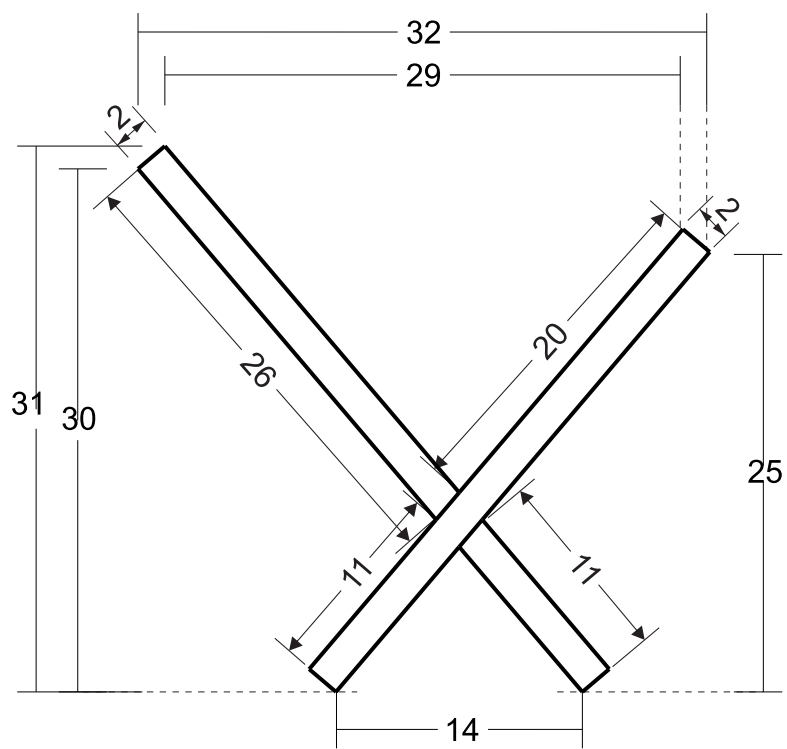
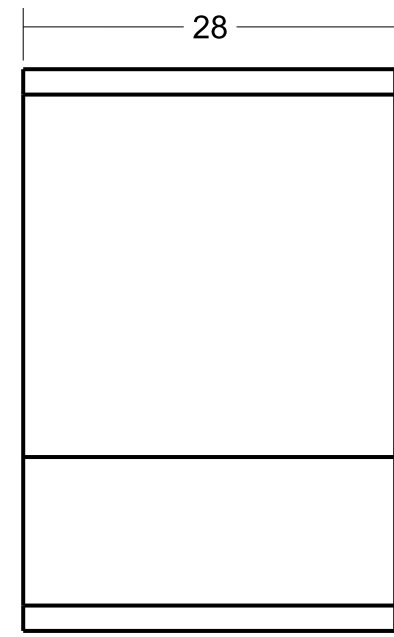


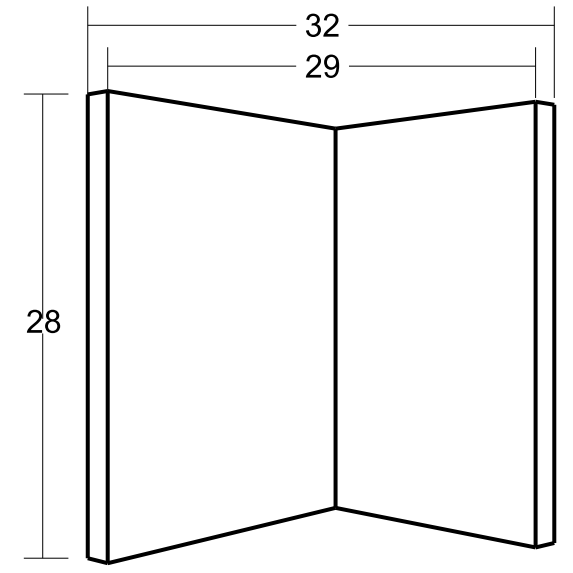
REVISION NO.	REVISION NOTE	MADE BY
# 00	Fixed	



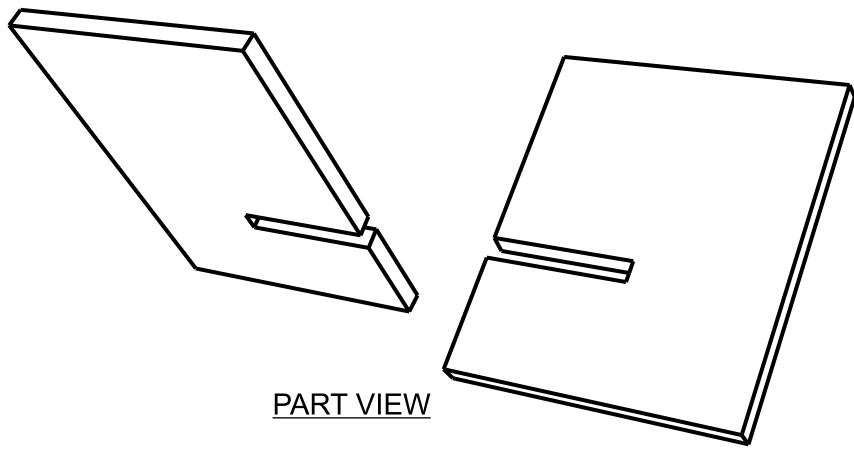
FRONT VIEW



SIDE VIEW




TOP VIEW



PART VIEW



	CODE KZ171	DIMENSION H31xW32xD28cm	DIVISION Tile & SPA	ITEM MODEL FA		BUYER	ACCESSORIES
	DESCRIPTION Magazine Rack	MATERIAL	FINISHING	DATE 2 Mar'21	PAGE 1 of 1		