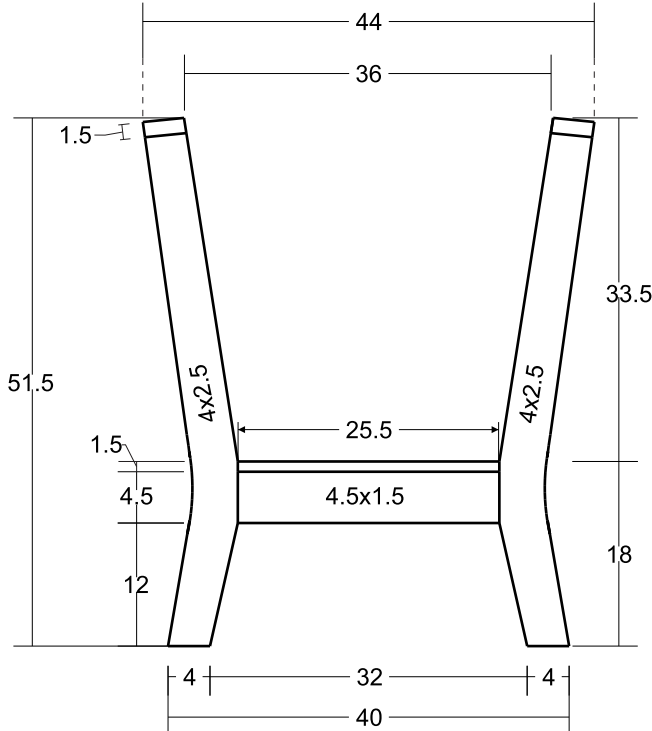
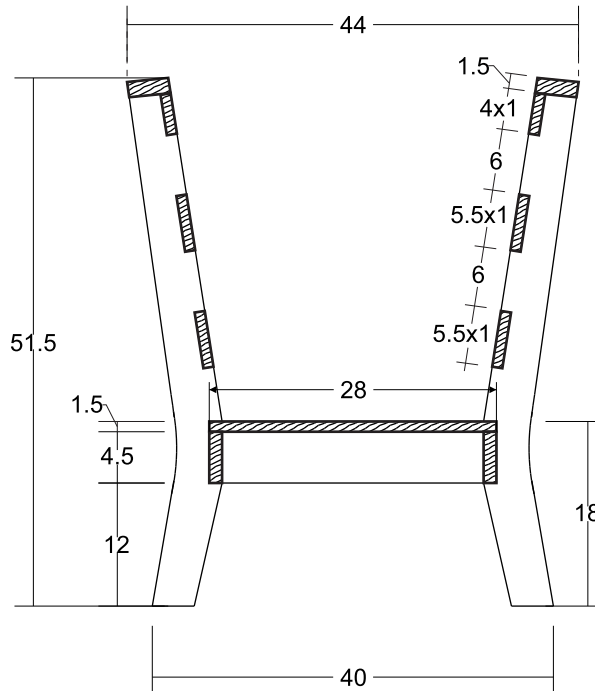


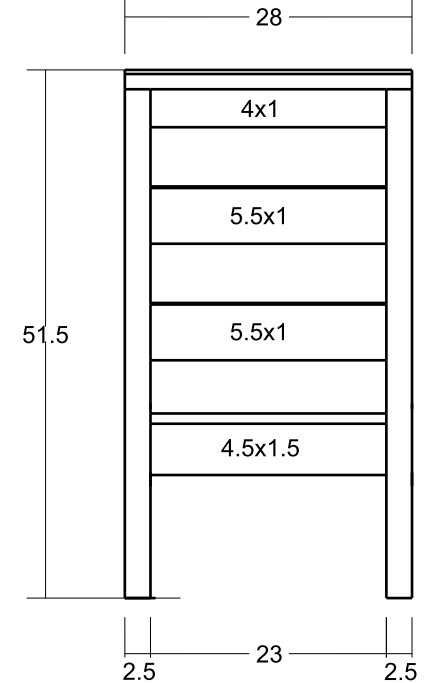
REVISION NO.	REVISION NOTE	MADE BY
# 00	Fixed	



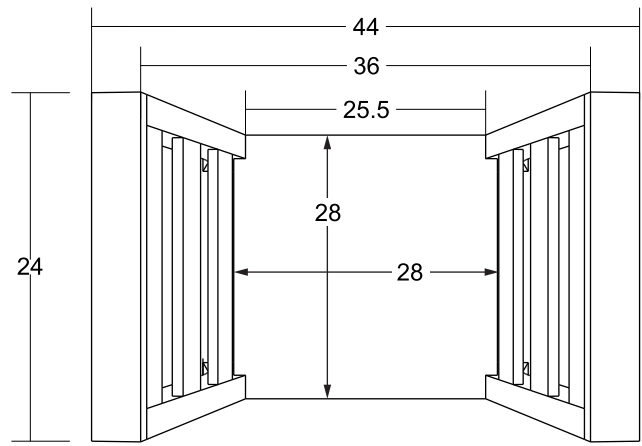
FRONT VIEW



FRONT SECTION




SIDE VIEW



TOP VIEW



	CODE KZ172	DIMENSION H51.5xW44xD28cm	DIVISION Tile & SPA	ITEM MODEL FA		BUYER	ACCESSORIES
	DESCRIPTION Magazine Rack	MATERIAL	FINISHING	DATE 2 Mar'21	PAGE 1 of 1		