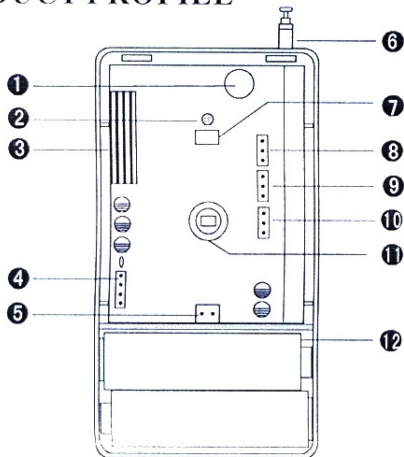


PRODUCT INTRODUCTION

The product is wireless intelligent pet-immunity detector with high stability. It has adopted advanced technology in signal processing, provided superhigh detection ability, function of automatically identify valve control and pulse count. The detector will detect movement of human automatically when intruder pass through the detected area, and it will send out alarm signal to alarm host if there is movement. The product is suitable for the safety of residential house, villas, factories, markets, warehouses, office building etc.

PRODUCT PROFILE



- | | |
|-----------------------------|----------------|
| ① Filter | ⑦ Test Button |
| ② LED Indicator | ⑧ LED Jumper |
| ③ Code Jumper | ⑨ Delay Jumper |
| ④ Detecting Distance Jumper | ⑩ Pulse Jumper |
| ⑤ Power Hole | ⑪ IR Sensor |
| ⑥ Antenna | ⑫ Battery |

MAIN FEATURE

- ASIC adopted
- Automatically identify valve control
- Adjustable pulse count
- Immunity of less than 12kgs pet
- Auto temperature compensation
- Send alarm signal by RF
- Adjustable detecting distance
- Low battery indication
- SMT design adopted

TECHNICAL SPECIFICATION

Operating voltage: DC 3V (2*AA battery)

Static current: $\leq 15\mu A$

Alarm current: $\leq 10mA$

Detecting distance: 9~18m

Detecting angle: 110°

Code form: 2262 or 1527

Radio frequency: 315MHz or 433MHz

Radio distance: 200m (open area)

Low battery indicator: yellow LED

Alarm indicator: red LED

Range of coverage: 11 distance, 8 middle, 5 vicinities

Sensor: dual element infrared sensor

Operating temperature: -10°C ~ +50°C

Environment humidity: $\leq 95\% RH$ (no congelation)

Anti RF interference: 10MHz ~ 1GHz 20V/m

Installation mode: wall mounted or hanged in corner

Installation height: 1.7 to 2.5m (2.2m is Proposed)

Outline Size: 59L*39.5W*107H mm

INSTALLATION

1. Installation at the out door, air-condition nearby, direct sunshine, heat source and under the rotating objects should be avoided.
2. Surface of installation should be firm with no vibration.
3. Installing the detector in the place where intruder pass easily.
4. Fixing bracket on the wall by screw.
5. Hang the detector, it will work normally after turning on the power switch.

OPERATING INSTRUCTION

Function Setting

1. Delay Jumper: used to set alarm delay time. When set to Test Mode (5 seconds), it will be triggered every 5 seconds when it has been triggered, while set to Work Mode (5 minutes), it will be triggered every 5 minutes when it has been triggered.

Short 1&2: delay 5s (test mode)

Short 2&3: delay 5 minutes (work mode)

Short off: delay 10 minutes (save power)

2. Code Jumper: used to set address code and zone code with alarm host. A0~A7 is address code, which should correspond with alarm host. (No need for 1527 code IC) D0~D3 is data code for setting defence zone.

3. LED Jumper: for setting LED ON or OFF without effect of the detector work.

Short 1&2: set LED ON

Short 2&2: set LED OFF

LED can be shut for concealment of the detector after test.

4. Pulse Jumper: You can adjust the sensitivity and anti RF Interference by choosing the Pulse Jumper.

Short 1&2: class 1 pulse, the sensitivity and anti RF interference is general, adapt to general environment.

Short 2&3: class 2 pulse, the sensitivity is highest, and

anti RF interference is high, adapt to the environment with strong RF interference.

5. Test Button: Button for testing, when press the button, the detector sends alarm signal to the alarm host. When use a learning alarm host, please set the host at the state of Learning.

Press the test button, the detector connects to the host.

6. RANGE Jumper: Use to set detecting distance at your will.

7. Yellow LED: Low battery indicator, when the LED on, please charge the batteries in time.

Pet-immunity function

Install the detector at the height of 2.2m or so. Make sure there is no inducement for pet to pass by, like stair and etc.

Notice: the function of pet-immunity will not work, if the distance of detector and pet is less than 1.8m.

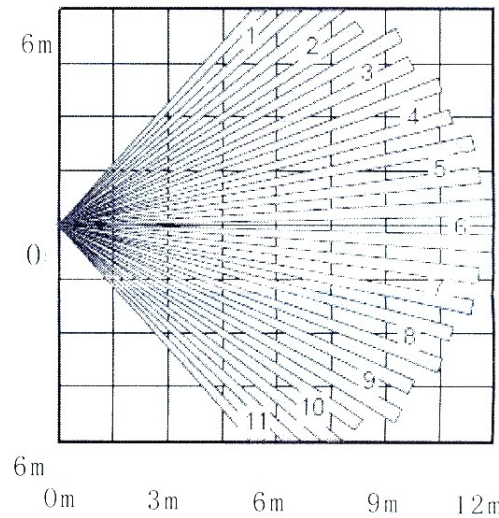
Product testing

Put the battery into the case of detector, plug the red&black contact into the Power Hole, LED indicator will flashed for 1s, the detector comes into state of self-check, it takes about 30s, after that it is in the state of normal work. For test, you would better choose the 5sec delay time by short 1&2. Conner should walk parallel with the wall installed detector in the testing area. LED lighting means the detector is in the state of alarm

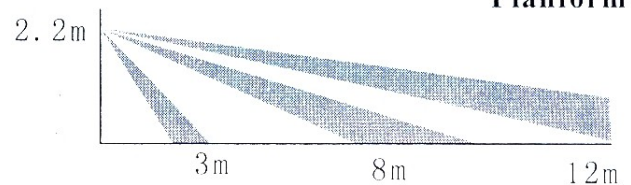
NOTICE

1. Please install and use the detector according to this manual, don't touch the surface of sensor for avoiding affecting the sensitivity of the detector. Please shut off power and then clean the sensor by soft cloth with little alcohol if cleaning needed.
2. The product can reduce accident but may not perform as expected. The user is advised to take all necessary precautions for his/her safety and the protection of his/her property.
3. In order to ensure it can work normally, the power should be kept to supply and get on walking test periodically, once a week is better.

Detecting Area View



Planform



Side View