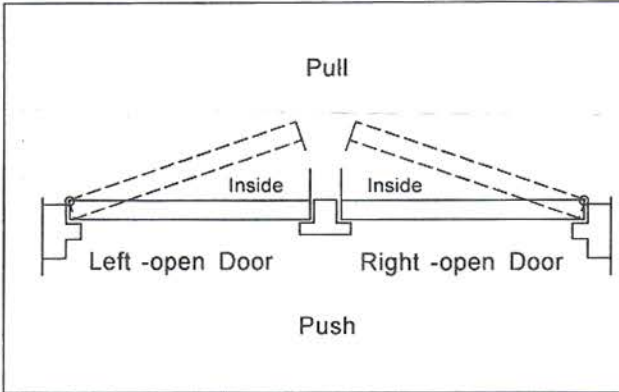




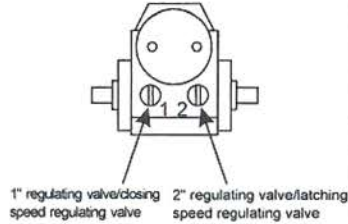
## Determine the door direction



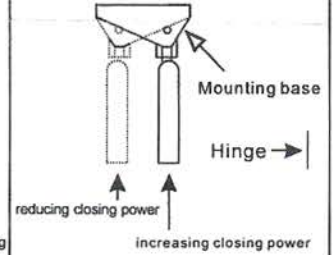
## Adjustment after installation

to adjust closing speed and latching speed

- Clockwise (adjustment) to slow down
- Counter clockwise (adjustment) to speed up

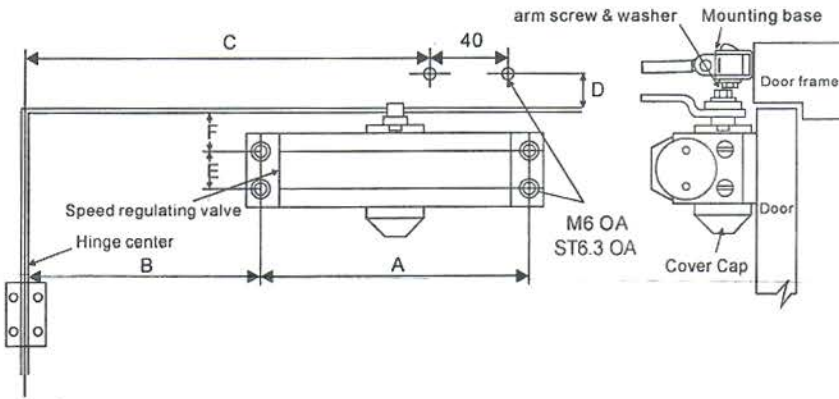


Adjustment on closing power



## Standard installation: Vertical installation on door of pull side

right-open door installation drawing  
Same dimensions apply for Left hand door measured from the hinge edge



## Installation Instructions

1. Select degree of opening and use dimensions shown in above template to mark holes on door and door frame, and then install door closer.
2. Place main arm on shaft on top of door closer as illustrated.
3. When install the door closer's body, the regulating valve should be face to hinge side.
4. Attach the arm shoe of the forearm to the door frame.
5. adjust the length of forearm so when it is attached to main arm it will be at a right angle (90°) to door (when door is closed and assemble at elbow then tighten locknut.) Meanwhile, to connect forearm and main arm by screw and washer.
6. Place cover cap over shaft at bottom of closer and turn slightly to secure.
7. Do not spin regulating valve out of closet mount, it will cause oil leakage and unadjustment.

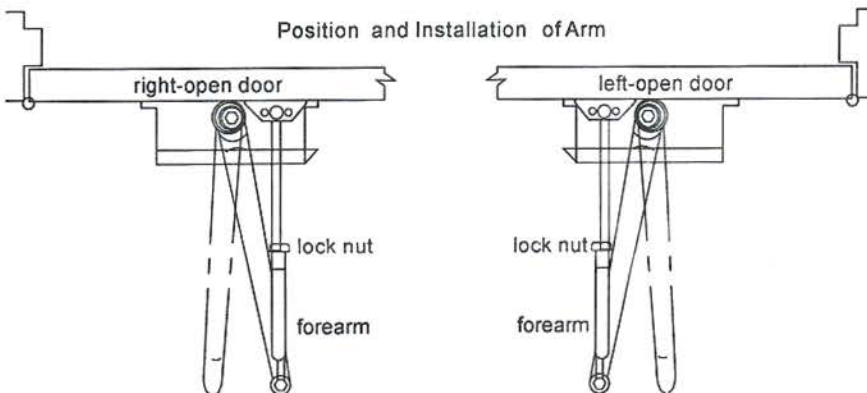
Unit: <mm>

Installation dimensions	A	B	C	D	E	F	Opening angle	Door weight	
								single spring	double spring
B-B	162	110	220	30	19	13	140°	45kg	70kg
	162	90	200	30	19	13	160°		

NOTICE: before install hold-shop function door closer, do not spin the shaft beyond 180°, it will destroy closer greatly.

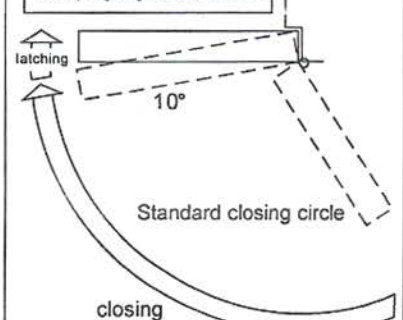
1

## Position and Installation of Arm



## Closing speed control

Notice:  
Do not spin regulating valve out of closer mount.

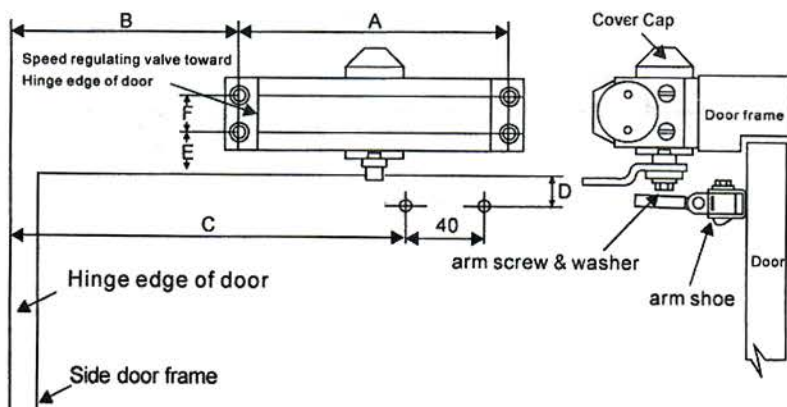


Regulating closing door time: from 90° to close to 4-6 seconds.  
For elders and children, the closing time can be longer.

## ■ Door frame installation: Closer mounted on top jamb on push side of door

### Door closer for hand door installation diagram

Same dimensions apply for Right hand door measured from the hinge edge



### Installation Instructions

1. Select degree of opening and use dimensions shown in above template to mark holes on door and door frame, and then install door closer.
2. Place main arm on shaft on top of door closer as illustrated.
3. When install the door closers body, the regulating valve should be face to hinge side.
4. Attach the arm shoe of the forearm to the door frame.
5. adjust the length of forearm so when it is attached to main arm it will be at a right angle(90)to door (when door is closed and assemble at elbow then tighten locknut.)Meanwhile, to connect forearm and main arm by screw and washer.
6. Place cover cap over shaft at bottom of closet and turn slightly to secure.
7. Do not spin regulating valve out of closer mount, it will cause oil leakage and unadjustment.
8. When installation, this arm is only suitable for 50mm thickness of door frame, if above 50mm thickness, the straight arm need be longer.

2

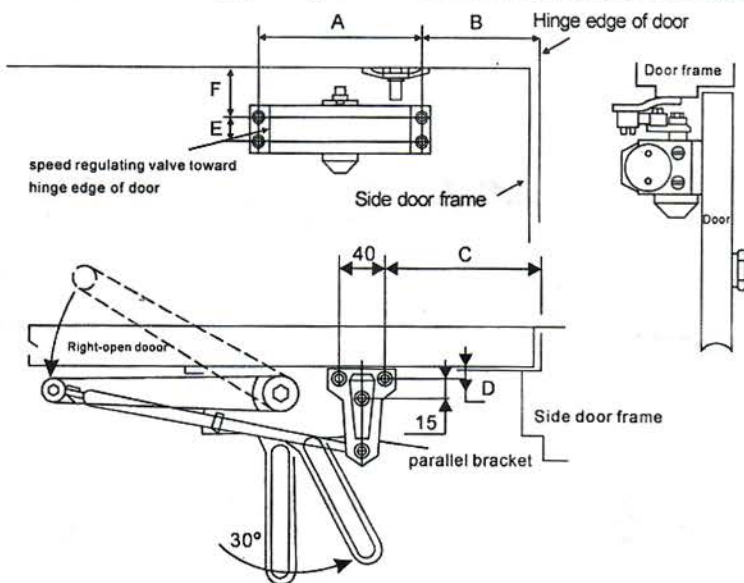
Unit: <mm>

Installation dimensions	A	B	C	D	E	F	Opening angle	Door weight	
								single spring	double spring
B-B	162	90	195	27	19	20	160°	45kg	70kg

## ■ Parallel arm installation: Closer mounted on door on push side (Notice: parallel arm installation must use flower hole arm and parallel bracket)

### Door closer for right hand door installing drawing

Same dimensions apply for Right hand door measured from the hinge edge



### Installation Instructions

1. Select degree of opening and use dimensions shown in above template to mark holes on door and door frame, and then install door closer. (Notice the valves must be back to hinge.)
2. Install the installing bracket onto the frame as shown in gram.
3. Make the top of the axle in the door closer turn about 30 degrees as shown in the gram with a spanner. Fix the moving arm onto the top of the axle and tighten the screw of the moving arm. Then the moving arm will pre-press onto the door.
4. Adjust the length fore arm so that the moving arm which will parallel to the frame. Connect the fore arm and the moving arm with washer and screw.
5. Place cover cap over shaft at bottom of closer and turn slightly to secure.
6. Do not spin regulating valve out of closer mount, it will cause oil leakage and unadjustment.

3

Unit: <mm>

Installation dimensions	A	B	C	D	E	F	Opening angle	Door weight	
								single spring	double spring
B-B	162	120	140	10	19	73	160°	45kg	70kg

IMPORTANT NOTICE: Let door to door closing by power of door closer, Please do not add extra power, it will damage the door closer.