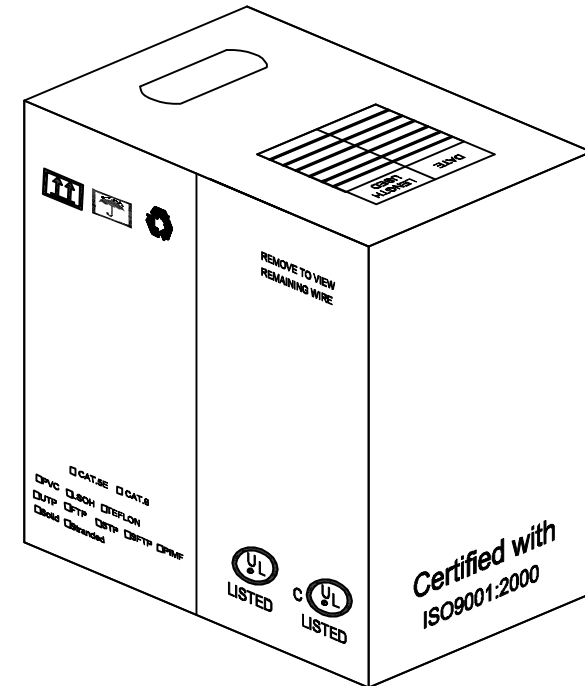
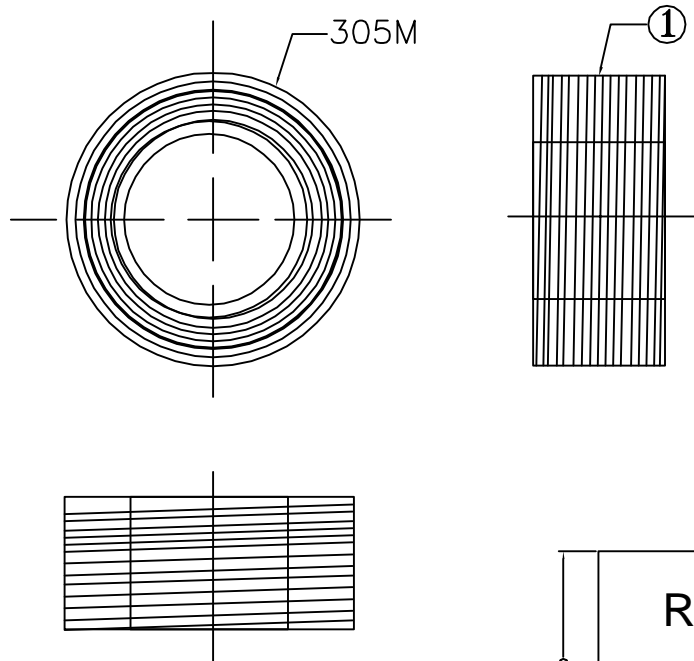


WEIGHT	CUSTOMER NO:	REMARK
M1-6289g	LM02	Cablematic



**CABLE:**

1) CAT.5E UTP 24#4P(7/0.20) COPPER STANDARD TYPE OD:5.5MM  
 LIGHT GRAY(2005) 305M/ROLL PRINT:1M : : 305M RoHS

**NOTE:**

- 1) the remarked length on wire: 1M.2M.....305M
- 2) there is no connect on the wire.
- 3) netnrl packing.(易拉箱+外箱), the label is covered to the down left of the leftside mard.
- 4) ROHS COMPLIANT
- 5) lantek wire .Lantek standard printing

A	FIRST EDITION	WUZAN	21/02/2011										
REV.	DESCRIPTION	C.N.	DATE										
<small>THESE DRAWINGS AND SPECIFICATIONS ARE THE PROPERTY OF WIRETEK COMPUTER LIMITED AND SHALL NOT BE REPRODUCED COPIED OR USED IN ANY MANNER WITHOUT THE PRIOR WRITTEN CONSENT OF WIRETEK COMPUTER LIMITED.</small>													
<small>UNLESS OTHERWISE SPECIFIED: DIMENSIONS ARE IN MILLIMETERS ANGULAR TOLERANCE: ±1.0°</small>		TITLE											
<table border="1"> <tr> <th>DIMENSIONS</th> <th>TOLERANCE</th> </tr> <tr> <td>0.00 TO 30.00mm</td> <td>±0.10mm</td> </tr> <tr> <td>30.01 TO 80.00mm</td> <td>±0.13mm</td> </tr> <tr> <td>80.01 TO 150.00mm</td> <td>±0.15mm</td> </tr> <tr> <td>150.01mm</td> <td>±0.20mm</td> </tr> </table>		DIMENSIONS	TOLERANCE	0.00 TO 30.00mm	±0.10mm	30.01 TO 80.00mm	±0.13mm	80.01 TO 150.00mm	±0.15mm	150.01mm	±0.20mm	<b>UTP CABLE</b>	
DIMENSIONS	TOLERANCE												
0.00 TO 30.00mm	±0.10mm												
30.01 TO 80.00mm	±0.13mm												
80.01 TO 150.00mm	±0.15mm												
150.01mm	±0.20mm												
MATERIAL		CHKD.	CONF.										
FINISH		DR.	APPD.										
		PART NO. <b>2615-1250</b>											
		SCALE	SHEET <b>1 / 1</b> UNIT <b>MM</b> SIZE <b>A4</b> REV. <b>A</b>										