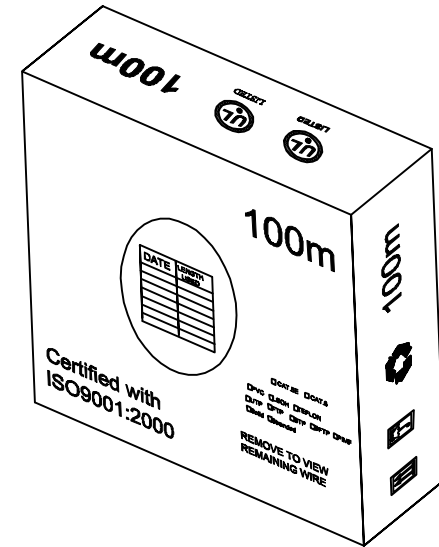
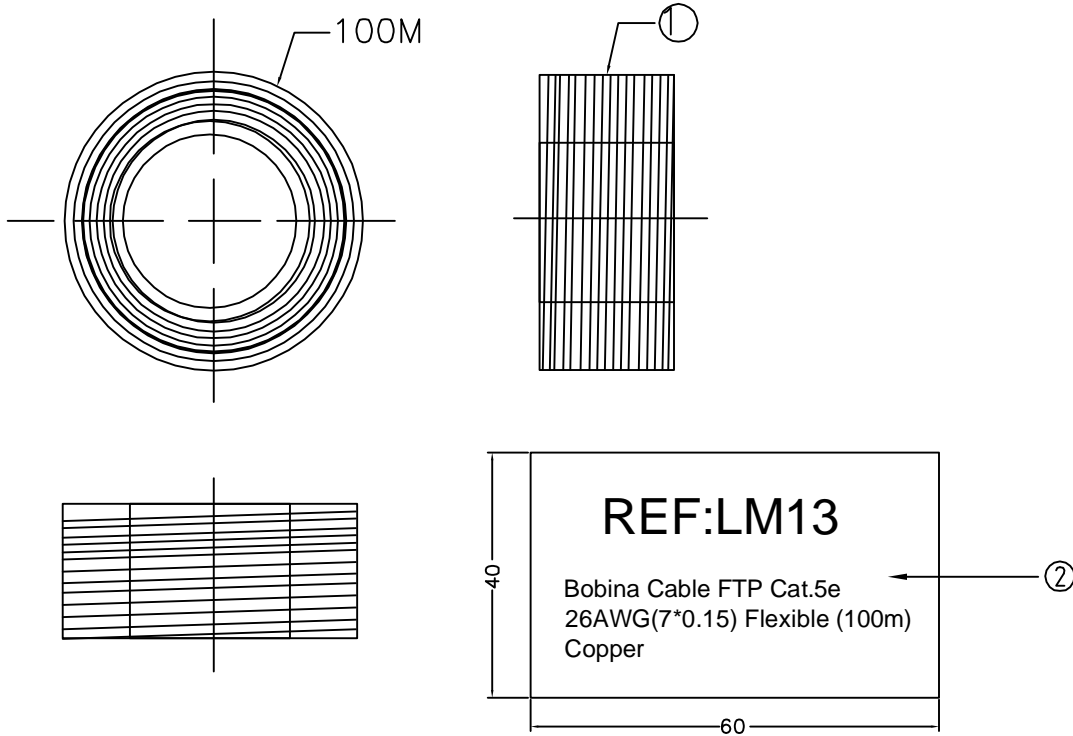


<b>WEIGHT</b>	<b>CUSTOMER NO:</b>	<b>REMARK</b>
M1-3186g	LM13	Cablematic



**CABLE:**

1) CAT.5E FTP 26#4P(7/0.15) COPPER STANDARD TYPE OD:6.0MM LIGHT GRAY(2005) 100M/ROLL PRINT:1M.....100M RoHS

A	FIRST EDITION	W.L	22/11/11										
REV. ECR	DESCRIPTION	C.N.	DATE										
<small>THESE DRAWINGS AND SPECIFICATIONS ARE THE PROPERTY OF WIRETEK CO-MPUTER LIMITED AND SHALL NOT BE REPRODUCED COPIED OR USED IN ANY MANNER WITHOUT THE PRIOR WRITTEN CONSENT OF WIRETEK COMPUTER LIMITED.</small>													
<small>UNLESS OTHERWISE SPECIFIED: DIMENSIONS ARE IN MILLIMETERS ANGULAR TOLERANCE: ±1.0°</small>		TITLE											
<table border="1"> <tr> <th>DIMENSIONS</th> <th>TOLERANCE</th> </tr> <tr> <td>0.00 TO 30.00mm</td> <td>±0.10mm</td> </tr> <tr> <td>30.01 TO 80.00mm</td> <td>±0.13mm</td> </tr> <tr> <td>80.01 TO 150.00mm</td> <td>±0.15mm</td> </tr> <tr> <td>150.01mm  </td> <td>±0.20mm</td> </tr> </table>		DIMENSIONS	TOLERANCE	0.00 TO 30.00mm	±0.10mm	30.01 TO 80.00mm	±0.13mm	80.01 TO 150.00mm	±0.15mm	150.01mm	±0.20mm	<b>FTP CABLE</b>	
DIMENSIONS	TOLERANCE												
0.00 TO 30.00mm	±0.10mm												
30.01 TO 80.00mm	±0.13mm												
80.01 TO 150.00mm	±0.15mm												
150.01mm	±0.20mm												
MATERIAL		PART NO. <b>2615-1268</b>											
FINISH		SCALE	SHEET <b>1 / 1</b> UNIT <b>MM</b> SIZE <b>A4</b> REV. <b>A</b>										