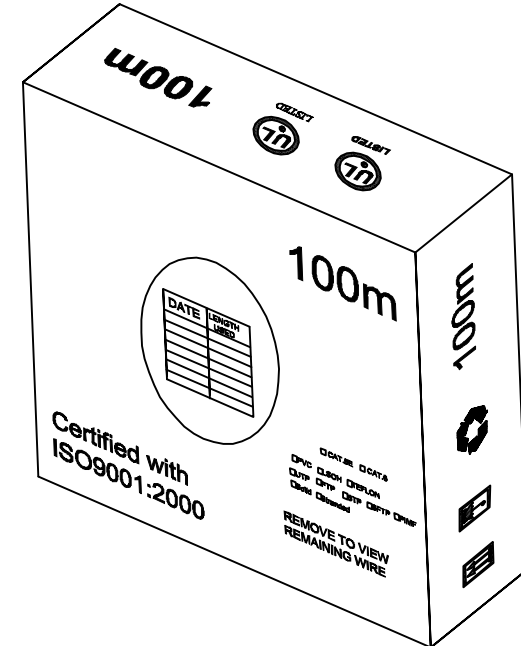
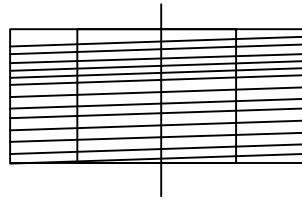
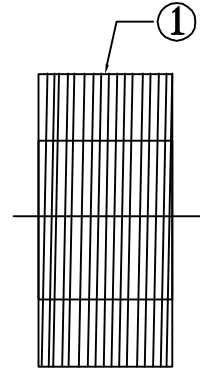
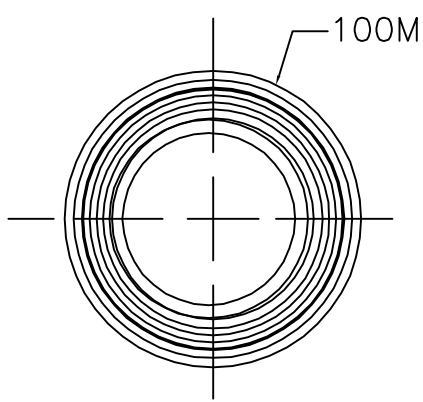


WEIGHT	CUSTOMER NO:	REMARK
M1-2062g	LN51	Cablematic



CABLE:

1) CAT.5E UTP 24#4P(1/0.50) CCA SOLID TYPE LIGHT GRAY(2005)
100M/ROLL PRINT:1M.....100M RoHS

NOTES:

- 1) Neutral white box, the label stuck the bottom of left side of box
- 2) ROHS COMPLIANT.

A	FIRST EDITION	...	04/08/10
REV.	ECR	DESCRIPTION	C.N. DATE
THESE DRAWINGS AND SPECIFICATIONS ARE THE PROPERTY OF WIRETEK CO-MPUTER LIMITED AND SHALL NOT BE REPRODUCED COPIED OR USED IN ANY MANNER WITHOUT THE PRIOR WRITTEN CONSENT OF WIRETEK COMPUTER LIMITED.		TITLE	
UNLESS OTHERWISE SPECIFIED: DIMENSIONS ARE IN MILLIMETERS ANGULAR TOLERANCE: ±1.0°		UTP CABLE	
DIMENSIONS	TOLERANCE	CHKD.	CONF.
0.00 TO 30.00mm	±0.10mm	DR.	APPD.
30.01 TO 80.00mm	±0.13mm	...	
80.01 TO 150.00mm	±0.15mm	PART NO.	
150.01mm ↑	±0.20mm	2615-1228	
MATERIAL		SCALE	SHEET 1/1 UNIT MM SIZE A4 REV. A
FINISH			