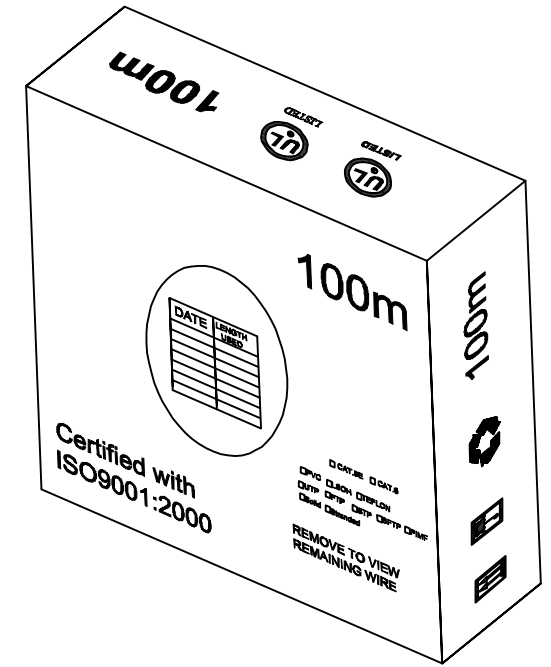
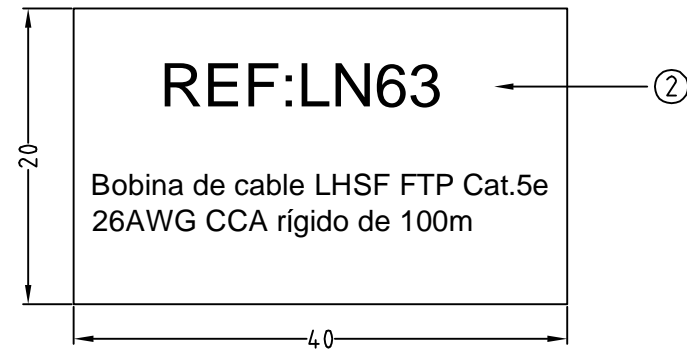
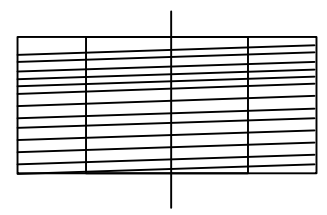
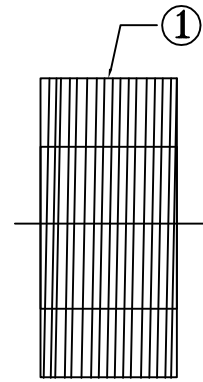
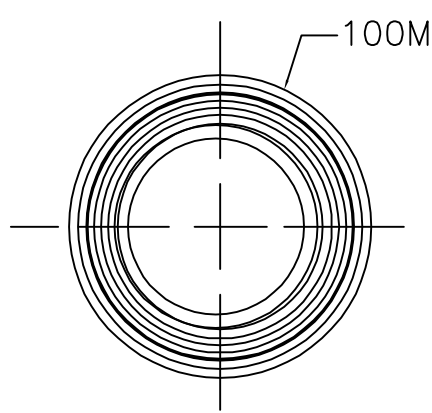


WEIGHT	CUSTOMER NO:	REMARK
M1-2062g	LN63	Cablematic



CABLE:

1) CAT.5E FTP 26#4P(1/0.45) CCA SOLID TYPE OD:5.5MM LSOH LIGHT GRAY(2005) 100M/ROLL PRINT:1M.....100M RoHS

2) NEUTRAL EASY BOX

A	FIRST EDITION	...	04/08/10
REV.	ECR	DESCRIPTION	C.N. DATE
THESE DRAWINGS AND SPECIFICATIONS ARE THE PROPERTY OF WIRETEK COMPUTER LIMITED AND SHALL NOT BE REPRODUCED COPIED OR USED IN ANY MANNER WITHOUT THE PRIOR WRITTEN CONSENT OF WIRETEK COMPUTER LIMITED.		TITLE	
UNLESS OTHERWISE SPECIFIED: DIMENSIONS ARE IN MILLIMETERS ANGULAR TOLERANCE: ±1.0°		UTP CABLE	
DIMENSIONS	TOLERANCE	CHKD.	CONF.
0.00 TO 30.00mm	±0.10mm	DR.	APPD.
30.01 TO 80.00mm	±0.13mm	...	
80.01 TO 150.00mm	±0.15mm	PART NO.	
150.01mm	±0.20mm	2615-1221	
MATERIAL		SCALE	SHEET 1/1 UNIT MM SIZE A4 REV. A
FINISH			