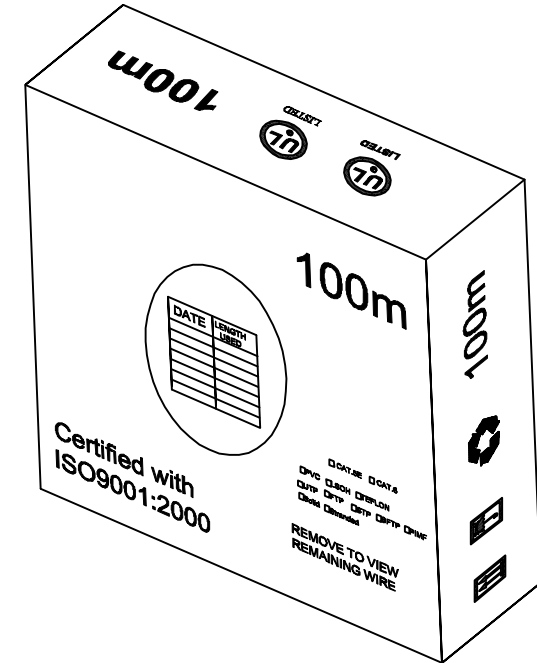
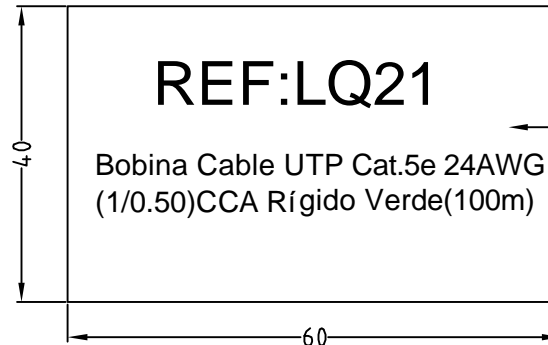
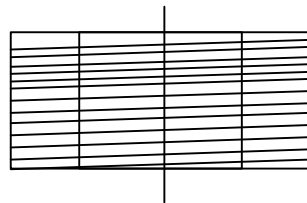
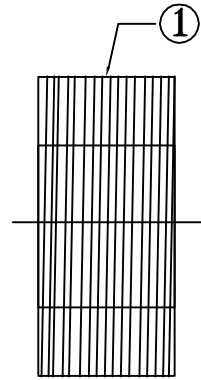
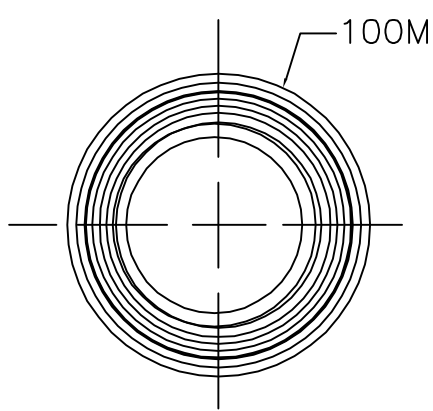


WEIGHT	CUSTOMER NO:	REMARK
M1-2062g	LQ21	Cablematic



**CABLE:**

1) CAT.5E UTP 24#4P(1/0.50) CCA SOLID TYPE  
OD5.5MM GREEN(1601) 100M/ROLL PRINT:1M : : 100M RoHS

A		FIRST EDITION	W/L	11/11/25
REV.	ECR	DESCRIPTION	C.N.	DATE
THESE DRAWINGS AND SPECIFICATIONS ARE THE PROPERTY OF WIRETEK COMPUTER LIMITED AND SHALL NOT BE REPRODUCED COPIED OR USED IN ANY MANNER WITHOUT THE PRIOR WRITTEN CONSENT OF WIRETEK COMPUTER LIMITED.		TITLE <b>UTP CABLE</b>		
UNLESS OTHERWISE SPECIFIED: DIMENSIONS ARE IN MILLIMETERS ANGULAR TOLERANCE: ±1.0°				
DIMENSIONS		TOLERANCE	CHKD.	CONF.
0.00 TO 30.00mm		±0.10mm		
30.01 TO 80.00mm		±0.13mm	DR. W.L	APPD.
80.01 TO 150.00mm		±0.15mm		
150.01mm		±0.20mm	PART NO.	
MATERIAL		2615-1289		
FINISH		SCALE	SHEET 1/1	UNIT MM
		SIZE A4	REV. A	