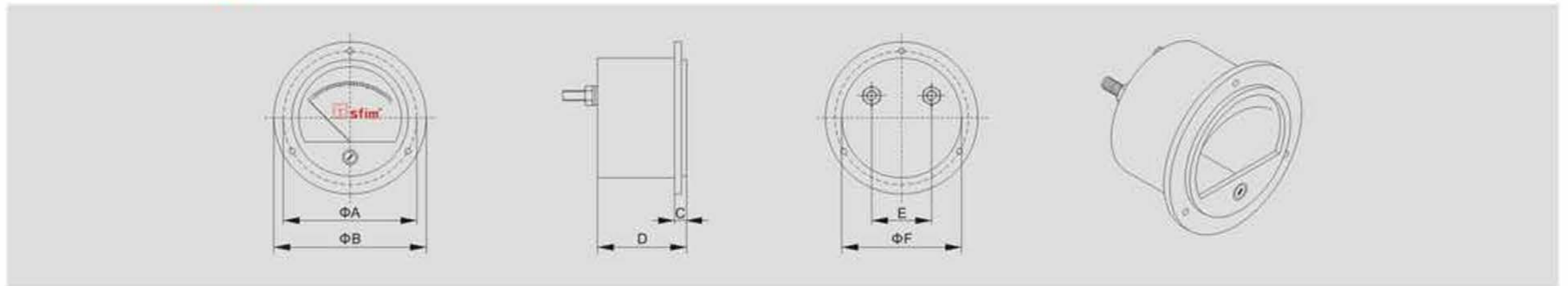


Round Panel Meter

Type	Accruacy	Product Structure	Specification	Remark
SF-62T2 SF-65 SF-52 SF-45	2.5	AC Ammeter	0-60A	/
		AC Voltmeter	0-600V	Connecting to PT /110V
		DC Ammeter	0-30A	75mV, 60mV, 50mV the scales plate is changable
		DC Voltmeter	0-2000V	/
		Frequency Meter	45-55Hz 45-65Hz	/
			110V 220V 380V 440V	
		Power Factor	1A	110V 220V 380V 440V
5A				
Power Meter 1P1W KW 3P3W KW 3P4W KW	1A	110V 220V 380V 440V	KW Meter should be connected with external convertor	
	5A			

Outline drawing (unit:mm)



Type	A	B	C	D	E	F
SF-45	45	45	1.5	35	18	45.2
SF-52	58	58	4.5	40.5	39	52
SF-65	73.5	83.5	4.5	42	39	65
SF-62T2	78	90	8	52	35	70

BUY ON

www.cablematic.com