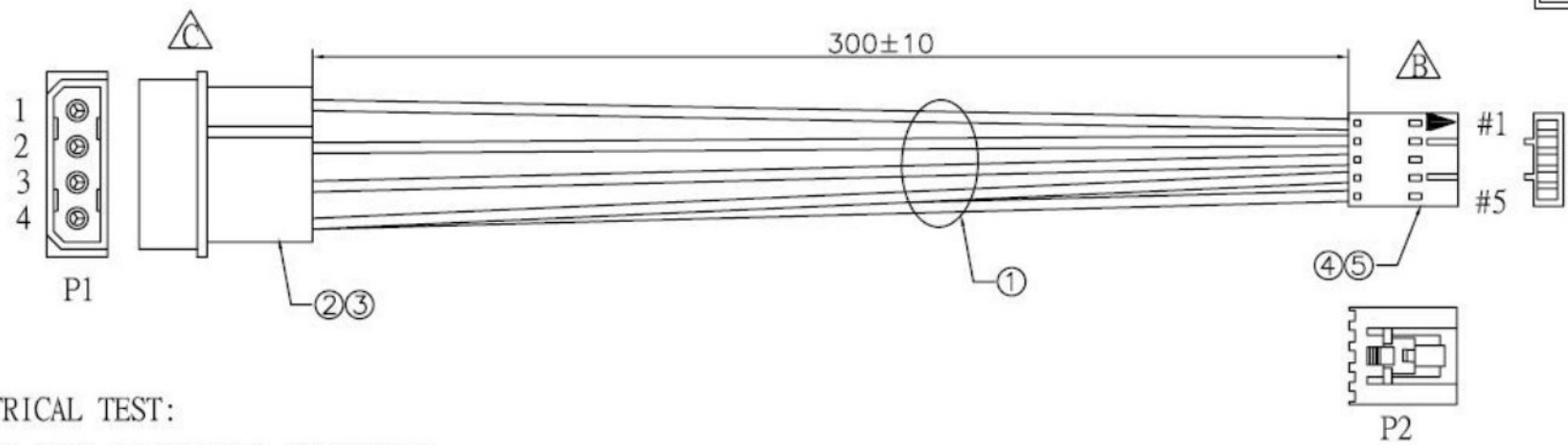


Rev	Modification Content	Date	Validate
△A	the Second Edition:Housing	2007-08-16	Cindy
△C	the Third Edition:Housing	2007-12-14	Cindy

ROHS



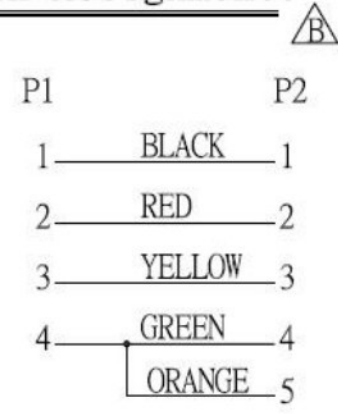
ELECTRICAL TEST:

- 1)100% OPEN SHORT&MISS WIRE TEST;
- 2)INSULATION RESISTANCE:DC300V 5M OHM;
- 3)CONDUCTOR RESISTANCE:5 OHM.

9	Carton	46*30*23CM K=K	1/5000pcs
8	隔板	45*29CM B=B	2 pcs
7	PE Bag	(19"+13")*27"*0.05mm	1/5000pcs
6	PE Bag	13*14*0.05mm	1/500pcs
5	Terminal	MOX2.54 TINNED TERMINAL	5 pcs
4	Housing	PITCH:2.54 (MOX2.54) 5P HOUSING	1 pcs
3	Terminal	PH:5.08mm MALE TINNED TERMINAL 高脚	4 pcs
2	Housing	PH:5.08mm 大4P F HOUSING WHITE	1 pcs
1	Cable	UL1007 24AWG OD1.1mm (RED/BLACK /YELLOW/GREEN/ORANGE) L=315mm	5 pcs
NO.	P/N	DESCRIPTION	QTY

CA07

Pin Assignment:



P/N	大4P M HSG/MOX2.54 1*5PHSG 30CM			
Item	HJ-141-070803-01			
Drawn By	Cindy	Customer NO.	NO	N
Audited By			Unit : mm	
Date	2007-08-08		Rev. : 1.00	ME