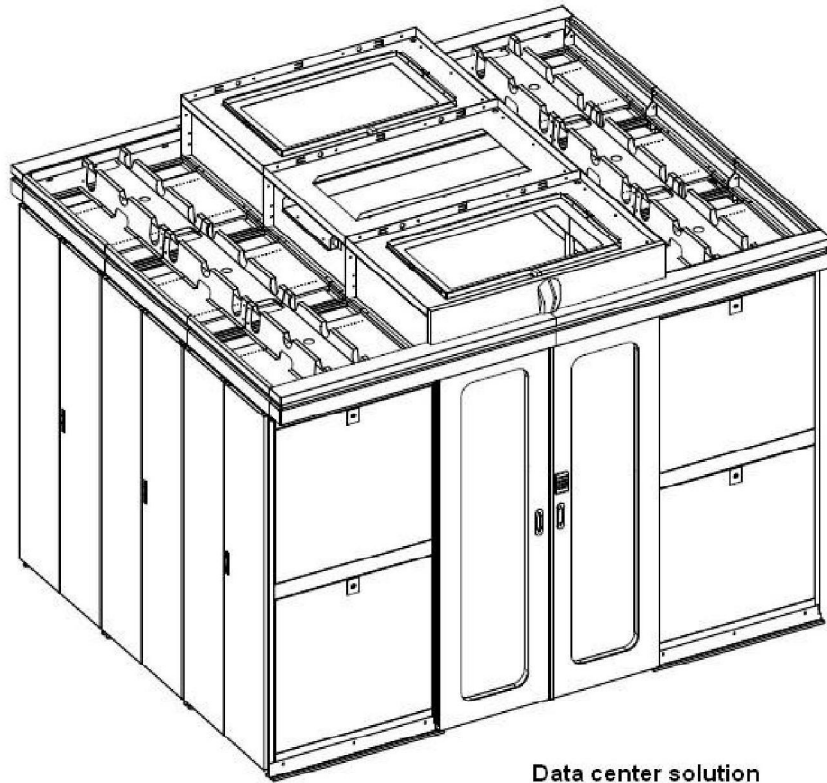
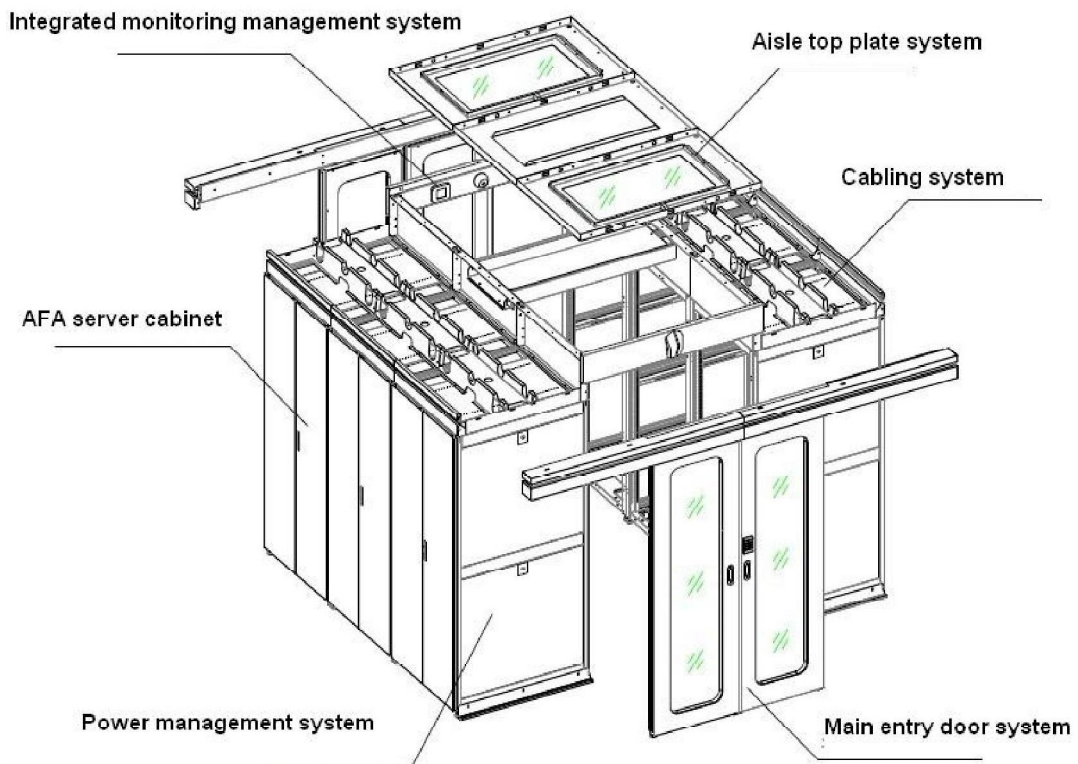


Brief introduction on data center solution

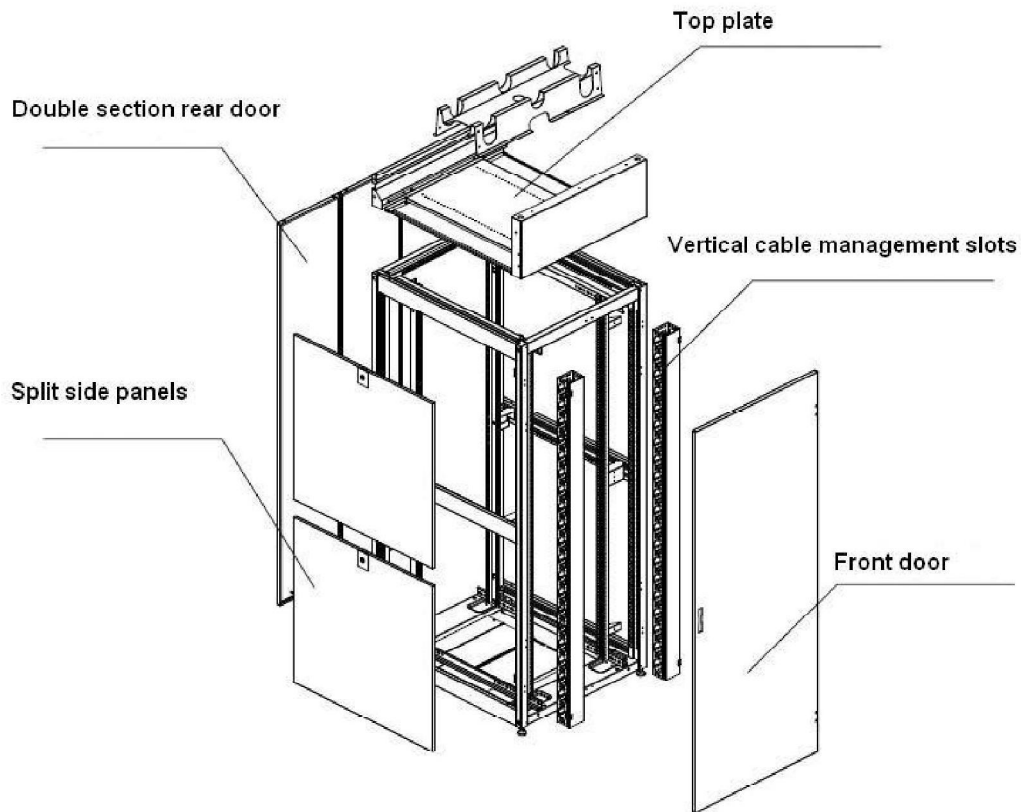


Data center solution

Know the parts of data center



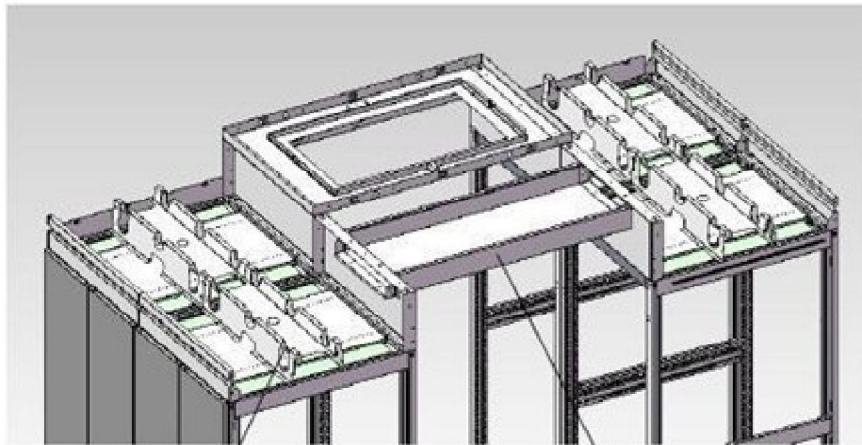
Know the server cabinets used in data center



Features of server cabinets AFA series:

- Loading capacity is up to 1300kgs.
- Could be shipped in flat packing.
- Frames are connected by 8 pcs of screws, could be assembled easily and quickly.
- Side panels are made in 2 parts for light package and easy delivery.
- Cabling available on top, bottom, sides of cabinets.
- If both front and rear door are perforated doors, then ventilation rate is up to 70%.

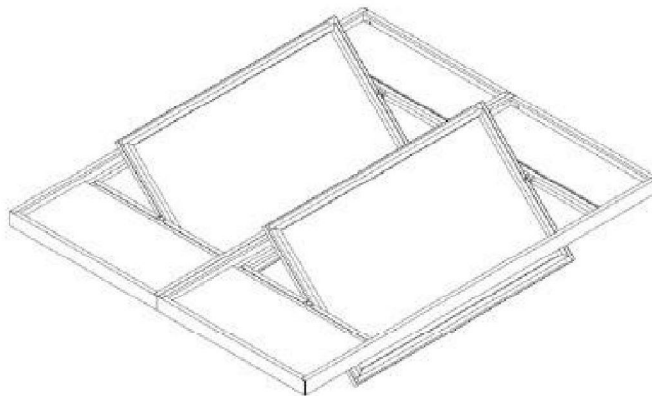
Cabling system between cabinets in data center



Lengthwise cabling

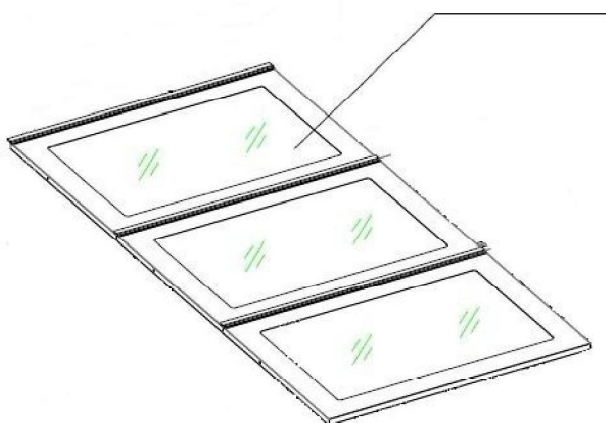
Crosswise cabling

Aisle top plate options---there will be 2 options

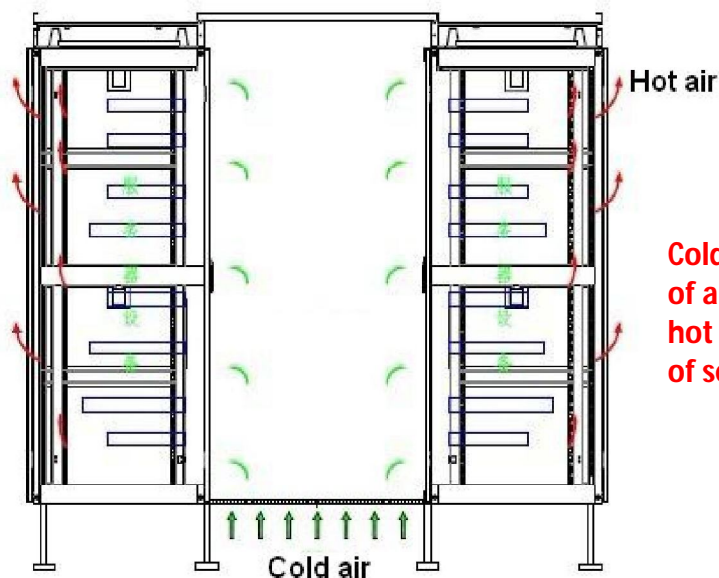


Aisle top plate--Option 1

Aisle top plate--Option 2

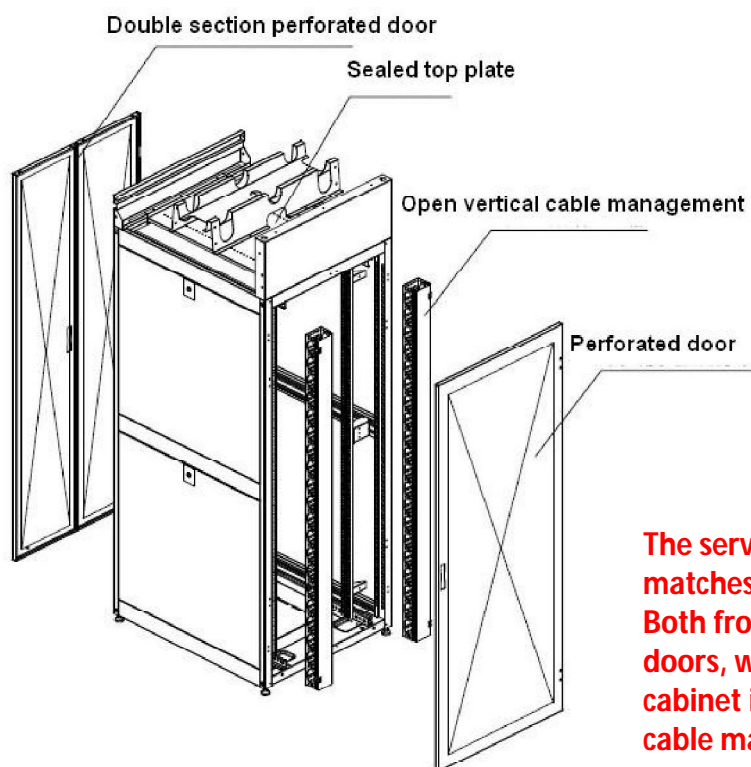


Cold air inlet ways and relevant server cabinet option-----OPTION 1



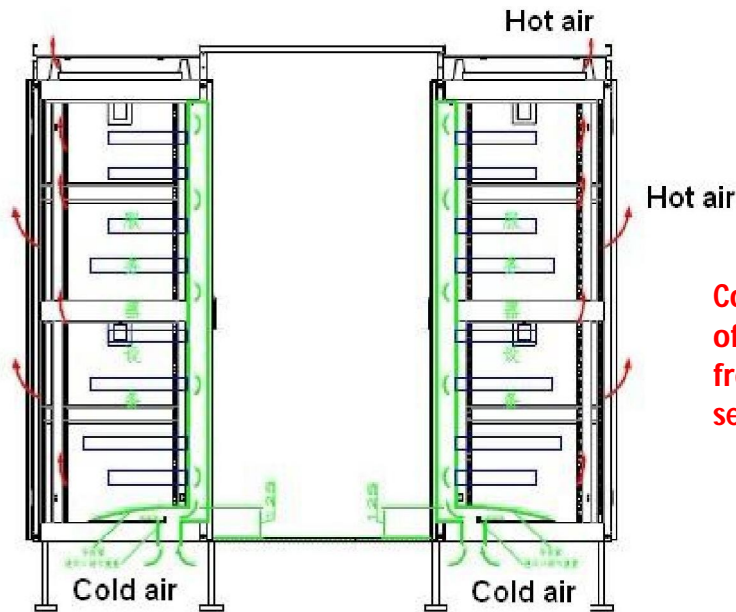
Cold air inputs from bottom of aisle between the cabinets, hot air outputs from rear part of server cabinets.

Cooling system--option 1



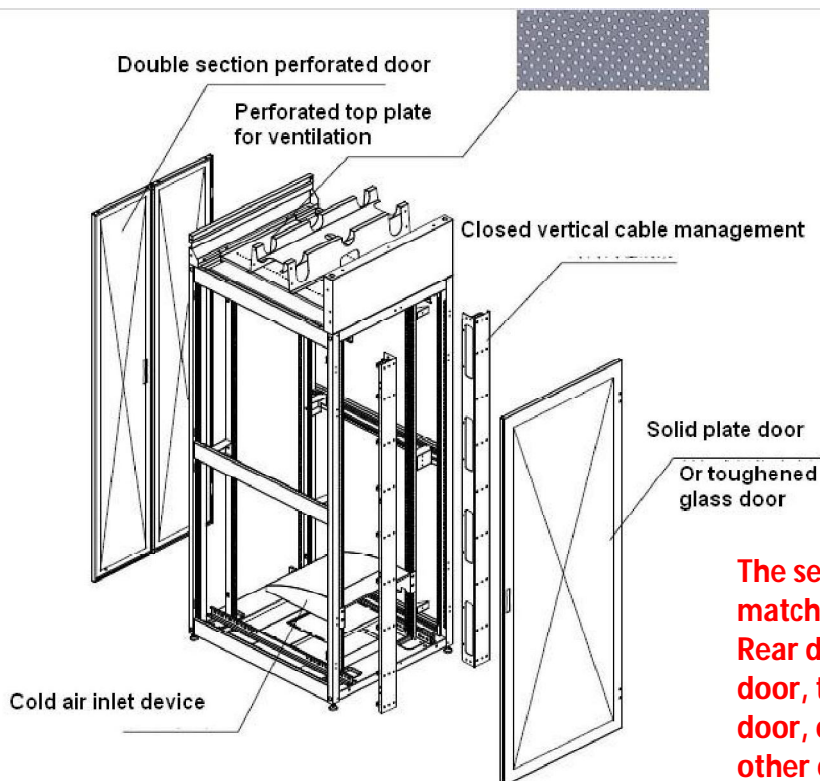
The server cabinets used in data center matches cooling system, option 1. Both front and rear doors are perforated doors, while the top plate of server cabinet is sealed, and with open vertical cable management slots.

Cold air inlet ways and relevant server cabinet option-----OPTION 2



Cold air inputs from bottom of cabinets, hot air outputs from rear part and top of server cabinets.

Cooling system--option 2



The server cabinets used in data center matches cooling system, option 2. Rear door is double section perforated door, there will be 2 options on the front door, one is solid plate door and the other one is toughened glass door. Top plate of server cabinets will be perforated top plate for hot air outputs, while the vertical cable management slots are closed.