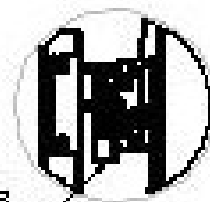
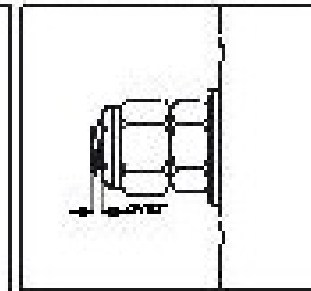
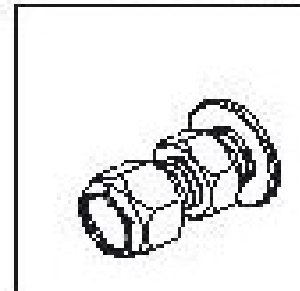


Attention!
this side please
downward.

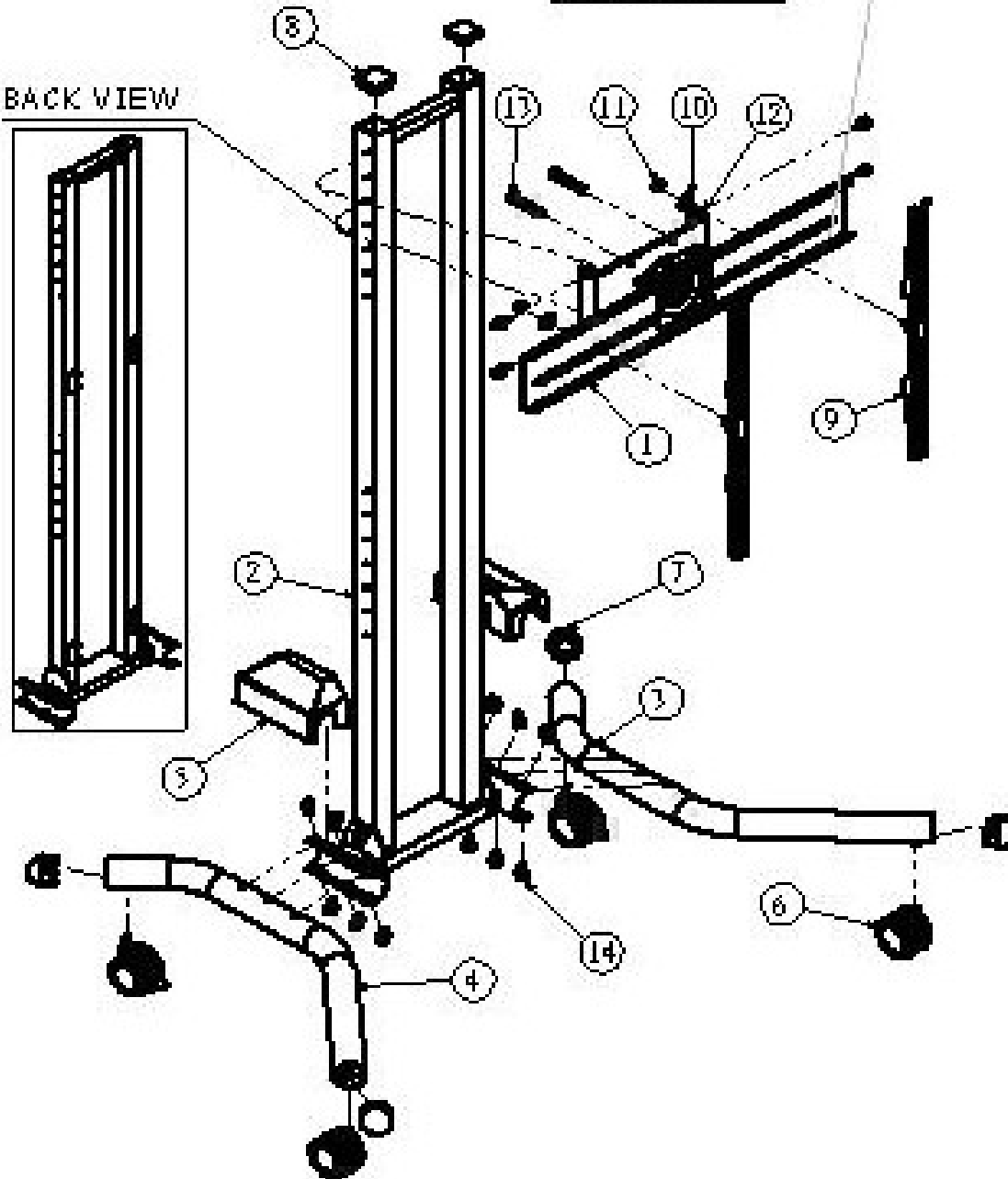
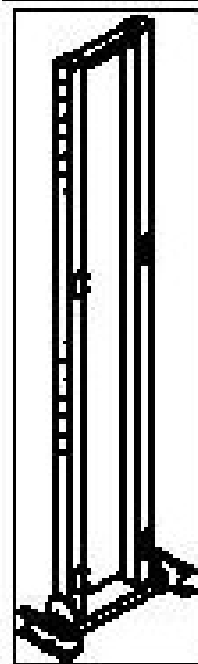


WARN:
Loose the steel sheet U
NUT to adjust angle,
if necessary.

Screwed over
steel sheet U NUT.



BACK VIEW



PLAB-1034

Item	Spare parts	Qty
1	MATCHED PLATE	1
2	FIXED TUBE	1
3	RIGHT BOTTOM TUBE	1
4	LEFT BOTTOM TUBE	1
5	PLASTIC COVER	2
6	WHEEL	4
7	CIRCULAR PLASTIC COVER ∅50.8	4
8	SQUARE PLASTIC COVER □45*45	2
9	FIXED PLATE	2
10	WASHER ∅8.5*∅25	2
11	NYLON NUT 5/16"-18UNC	2
12	STATURE ADJUSTMENT	1
13	SCREW BH 3/8"-16UNC*L2 1/2"	2
14	SCREW CAP 5/16"-18UNC*L3/4" + 2 WASHERS	16