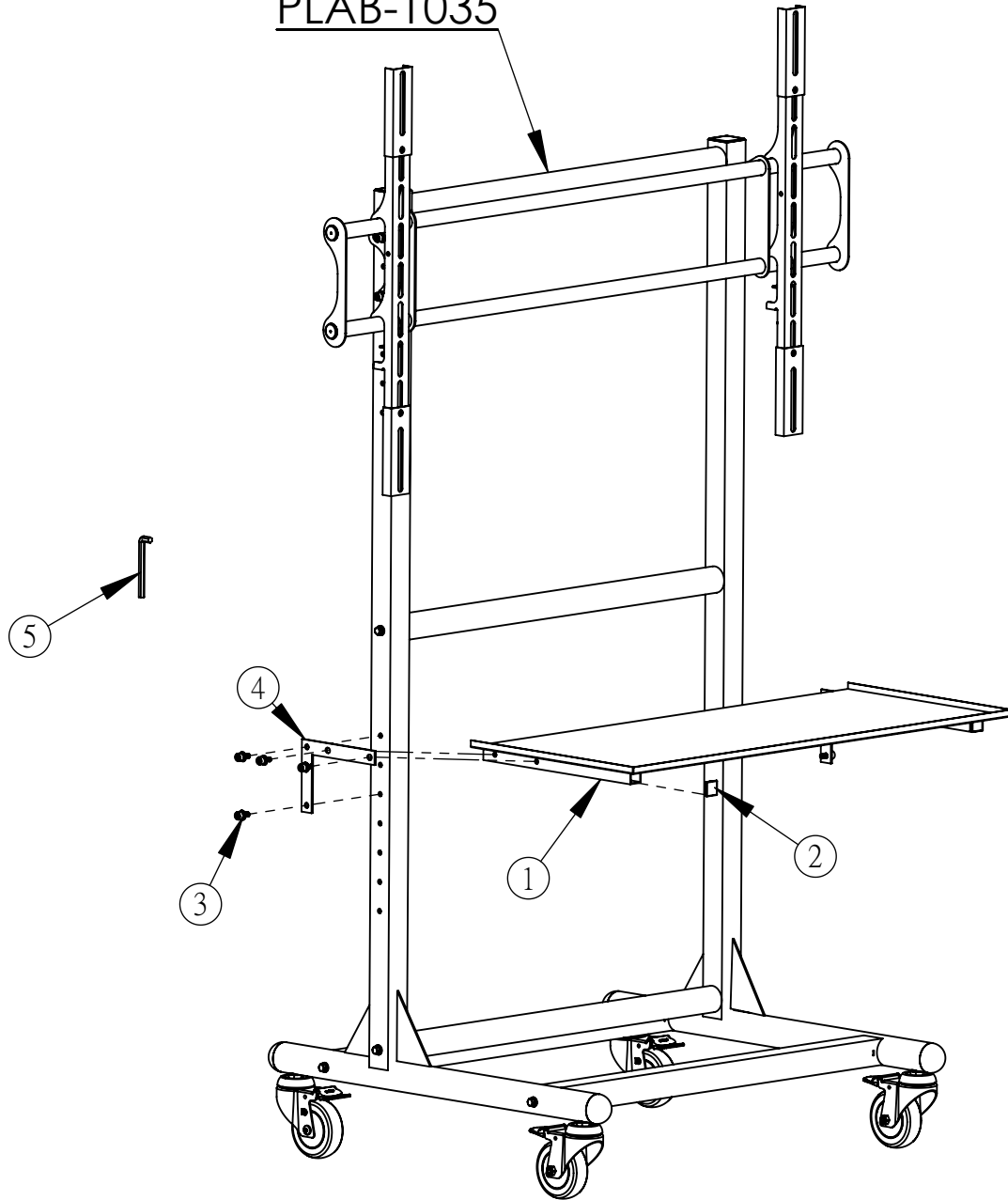


PLAB-1035



\*\*\*ACC-217\*\*\*

Item	Spare parts	Q'ty
1	DECK	1
2	PLASTIC □ 25*25	2
3	SCREW CAP 5/16"-18UNC*L3/4" WITH 2 WASHERS	1
4	L TYPE FIXED PLATE	2
5	ALLEN WRENCH NO.6	1