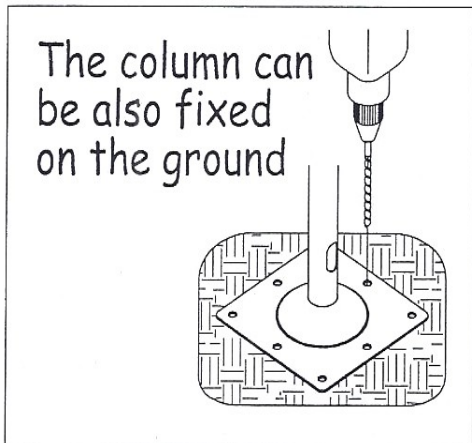
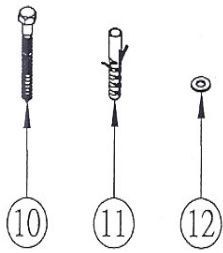
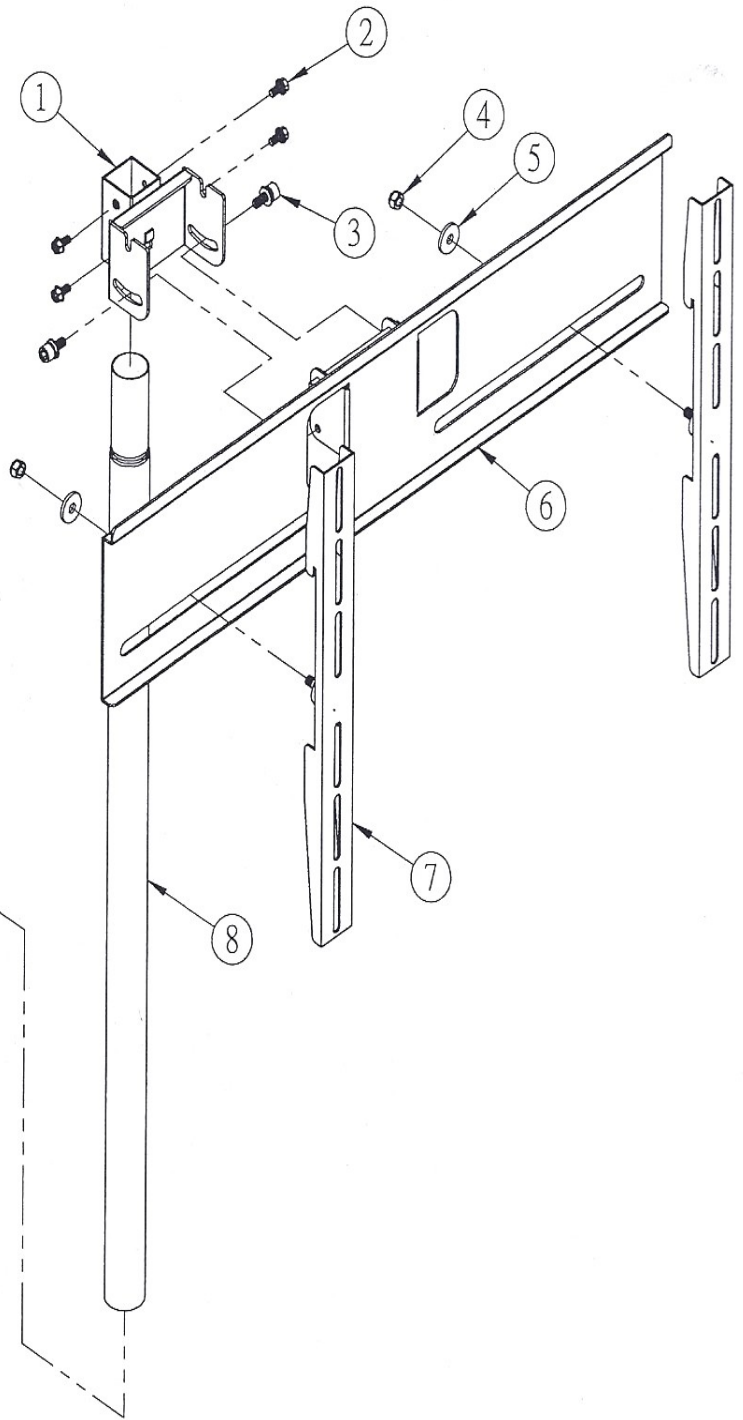


OH32

Item	Spare parts	Q'ty
1	JOINT GROUP	1
2	FLANGE BOLTS 1/4"-20UNC*L1/2"	4
3	SCREW CAP 5/16"-18UNC*L3/4" + 2WASHERS	4
4	NYLON NUT 5/16"-18UNC	2
5	WASHER $\phi 8 * \phi 25 * T=3$	2
6	MATCHED PLATE	1
7	FIXED PLATE	2
8	EXTENSION TUBE	1
9	FIXED TUBE	1
10	SCREW 5/16"-18UNC*L2 1/2"	8
11	CONCRETE ANCHORS $\phi 10 * L50$	8
12	WASHER $\phi 8 * \phi 18$	8



BUY ON www.cablematic.com

Must be bolted with 8pcs of concrete anchor

