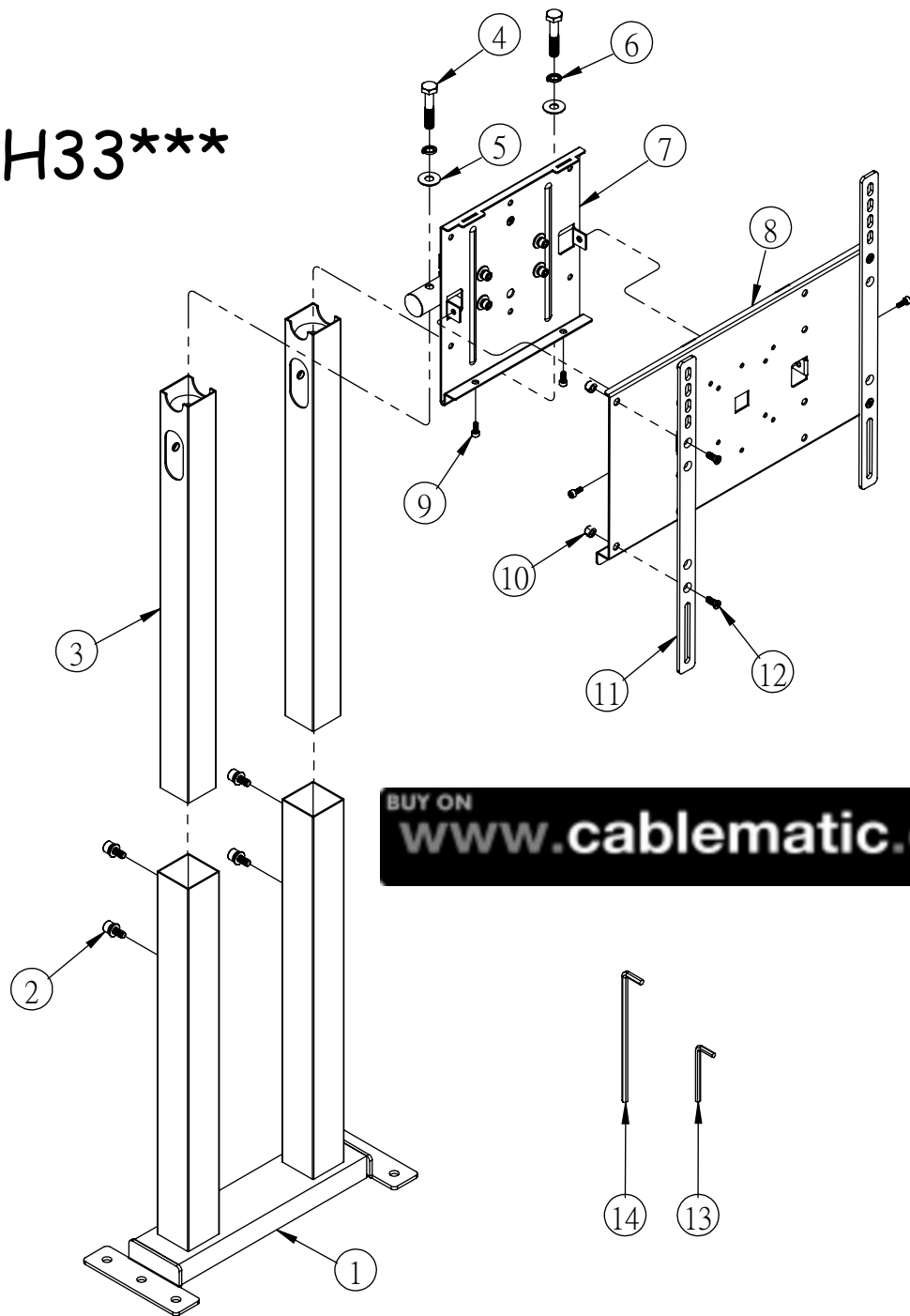


OH33



BUY ON
www.cablematic.com

Item	Spare parts	Q'ty
1	FIXED TUBE	1
2	SCREW CAP 5/16"-18UNC*L3/4" + 2 WASHERS	4
3	EXTENSION TUBE	2
4	SCREW BH 3/8"-16UNC*L2"	2
5	WASHER $\phi 10^* \phi 25$	2
6	SPRING WASHER $\phi 3/8^"$	2
7	MATCHED PLATE	1
8	FIXED PLATE	1
9	SCREW CAP M5*P0.8*L12mm	4
10	NYLON NUT 1/4"-20UNC	4
11	ADJUSTMENT PLATE	2
12	SCREW 1/4"-20UNC*L5/8"	4
13	ALLEN WRENCH NO.4	1
14	ALLEN WRENCH NO.6 (L=180)	1
15-1	SCREW M4*L35mm	4
15-2	SCREW M5*L35mm	4
15-3	SCREW M6*L35mm	4
15-4	SCREW M8*L35mm	4
16-1	SCREW M4*L12mm	4
16-2	SCREW M5*L15mm	4
16-3	SCREW M6*L15mm	4
16-4	SCREW M8*L15mm	4
17-1	SPRING WASHER $\phi 4$	4
17-2	SPRING WASHER $\phi 5$	4
17-3	SPRING WASHER $\phi 6$	4
17-4	SPRING WASHER $\phi 8$	4
18	SLEEVE $\phi 8.5^* \phi 15^* L20mm$	4

