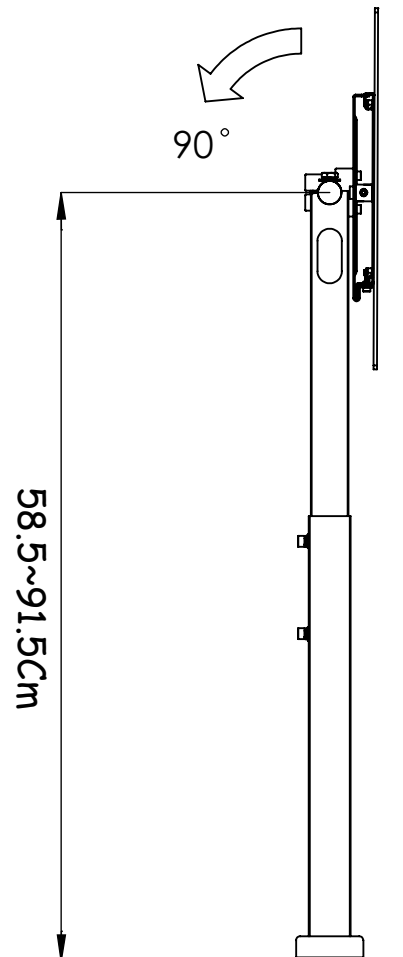
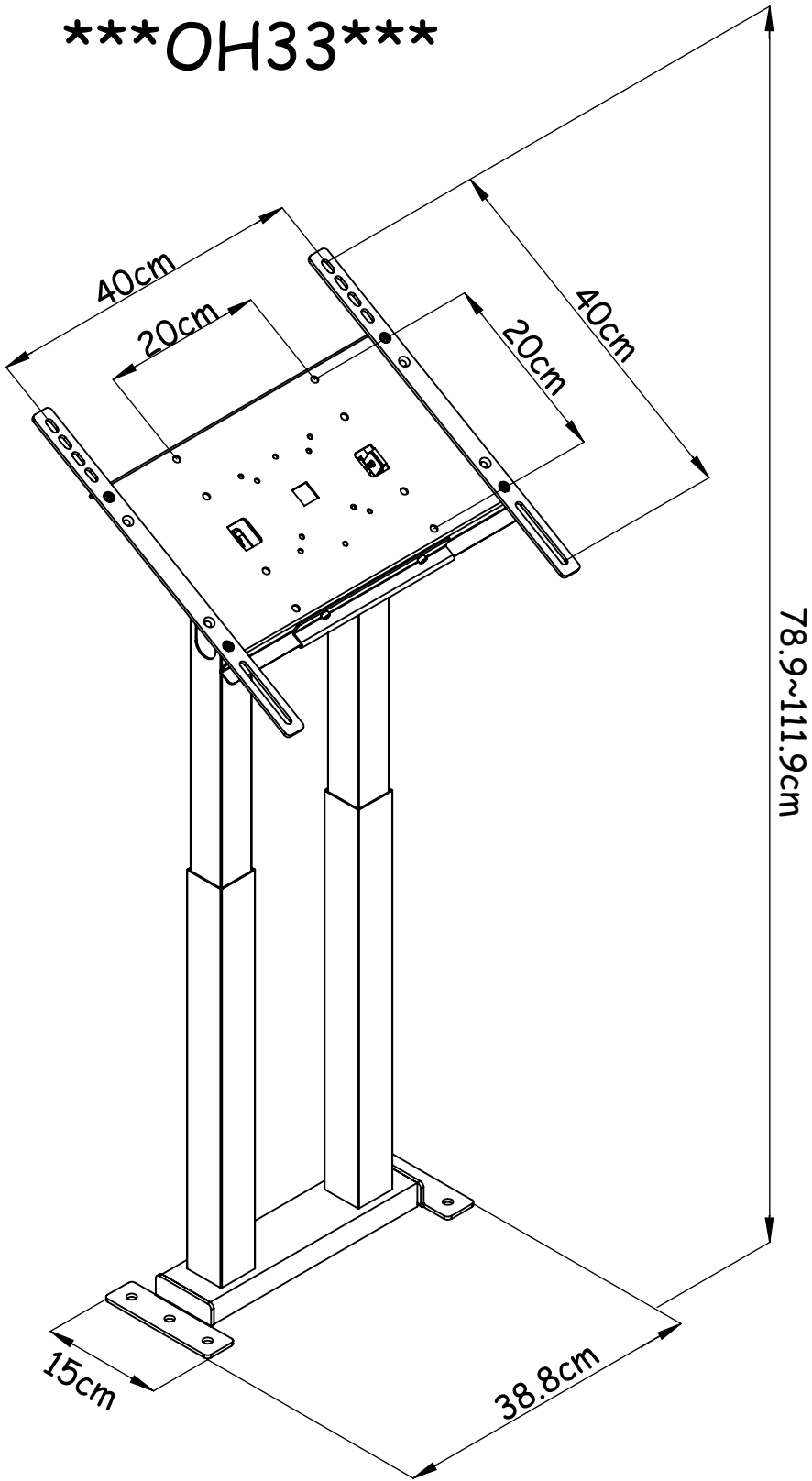


\*\*\*OH33\*\*\*



BUY ON  
[www.cablematic.com](http://www.cablematic.com)