

UNPACKING INSTRUCTIONS

- Carefully open the carton, remove contents and lay out on cardboard or other protective surface to avoid damage.
- Check package contents against the Supplied Parts List in the next page to assure that all components were received undamaged. Do not use damaged or defective parts.
- Carefully read all instructions before attempting installation.

IMPORTANT SAFETY INFORMATION

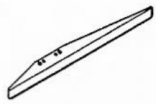
- Install and operate this device with care. Please read this instruction before installation, and carefully follow all instructions contained herein. Use proper safety equipment during installation.
- Please call a qualified installation contractor for help if you have any questions or directions or have any doubts about the safety of the installation.

Do not use this product for any purpose or in any configuration not explicitly specified in this instruction. We hereby disclaims any and all liability for injury or damage arising from incorrect assembly, incorrect mounting, or incorrect use of this product.

BUY ON

www.cablematic.com

Supplied Parts List



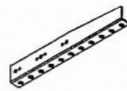
(1) Base Plate-L



(1) Junction Plate-L



(1) Plastic Cover-L



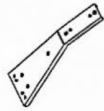
(1) TV Bracket 1-L



(1) TV Bracket 2-L



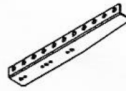
(1) Base Plate-R



(1) Junction Plate-R



(1) Plastic Cover-R



(1) TV Bracket 1-R



(1) TV Bracket 2-R



(4) M8*40 Bolt-A



(4) M8*20 Bolt-B



(4) M6*40 Bolt-C



(4) M6*20 Bolt-D



(4) M4*40 Bolt-E



(4) M4*20 Bolt-F



(4) Φ8 Washer-G



(4) Φ6 Washer-H



(4) Φ4 Washer-I



(4) Φ8 Long Spacer-J



(4) Φ8 Short Spacer-K



(1) S4 Allen key-L



(4) Wrench-L



(8) M6*10 Bolt-01
Allen Head



(8) M6 Nut1-02



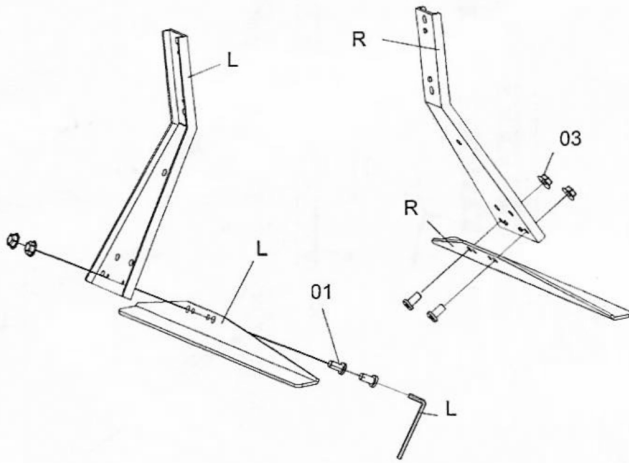
(4) M6 Nut2-03

BUY ON

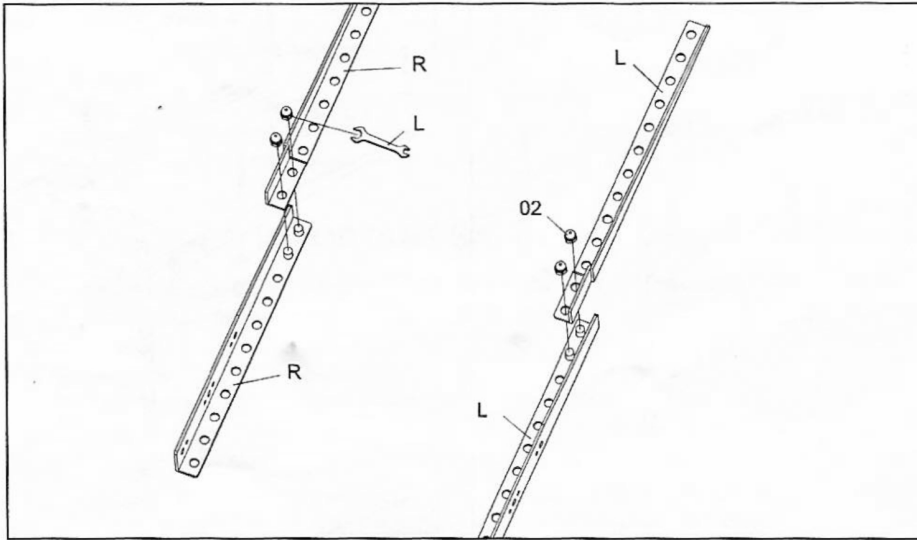
www.cablematic.com

STEP 1

Connecting the Base Plates and Junction Plates

**STEP 2**

Connecting the Vertical Monitor Brackets

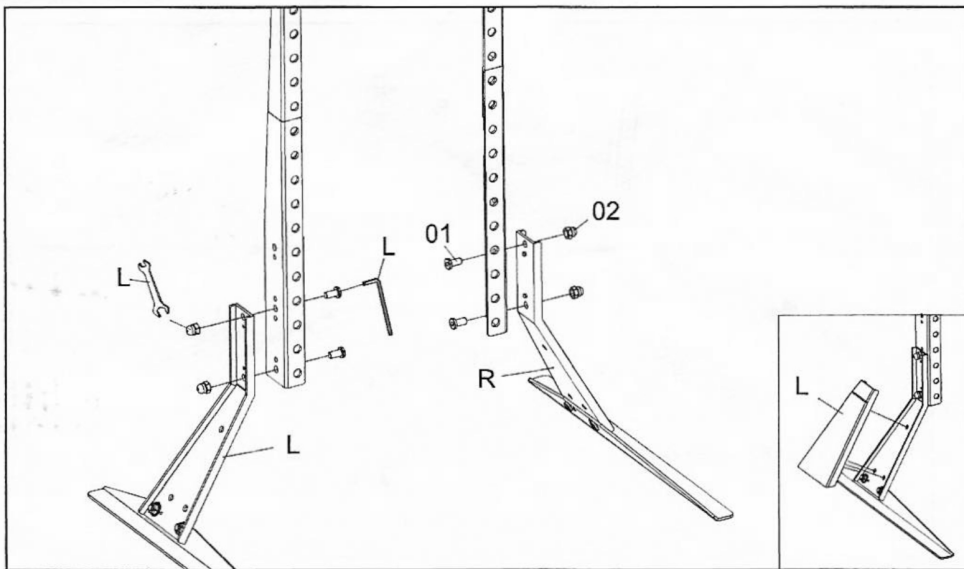


BUY ON

www.cablematic.com

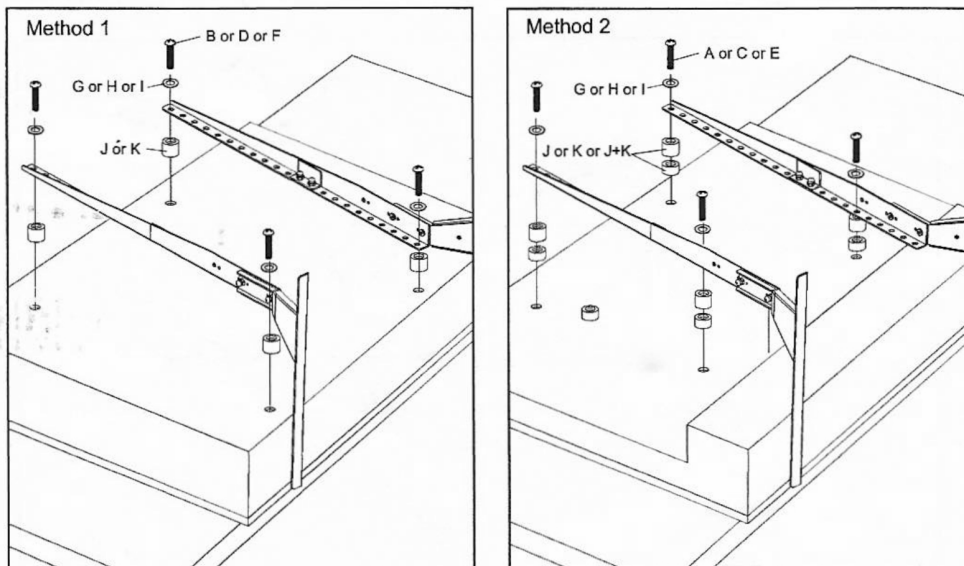
STEP 3

Connecting the TV Brackets and Junction Plates, then install the Plastic Covers.



STEP 4

Attaching the TV Brackets to the back of TV



First of all, make sure the diameter and length of the Bolts (a,b,c,d,e,f) your TV requires. Once you have determined the correct diameter and length, you will thread the Bolts into the TV using the correct Washers (g,h,i). Use the Spacers (j,k) only if the bolts are too longer.

BUY ON

www.cablematic.com