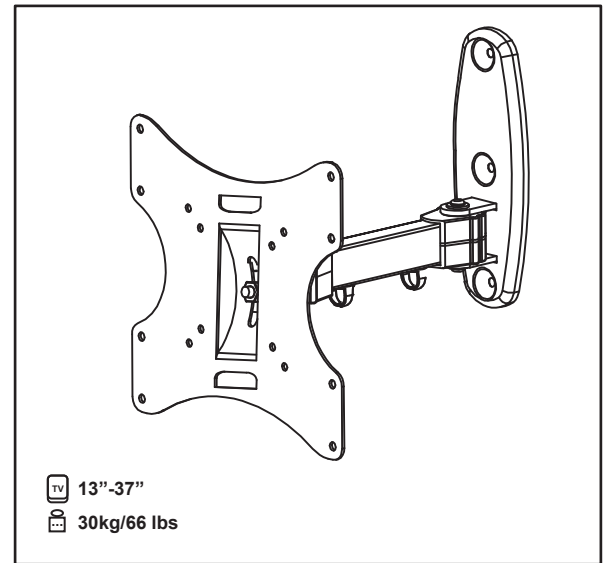


Instruction Manual

Note: We recommend that this product is installed by the professional only. we accept no liability for damages caused by incorrect assembly, installation or use, if there is any doubt, please contact the specialist from the seller for help.


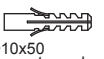

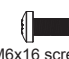


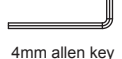
Important:

1. For safety reasons, the wall or mounting surface must be capable of supporting the combined weight of the mount and the display. otherwise the structure must be reinforced.
2. Safety gear and proper tools must be used. Failure to do so can result in property damage or serious injury.
3. Make sure that no electrical cables, water pipes or gas pipes are located within the wall.



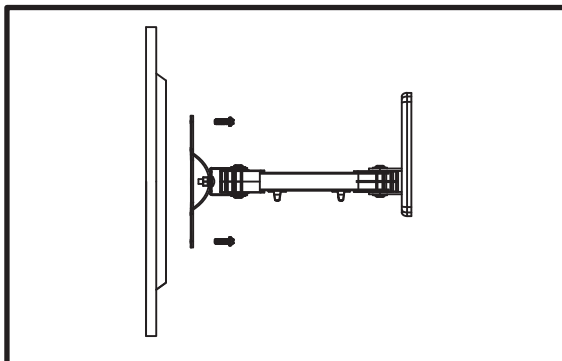
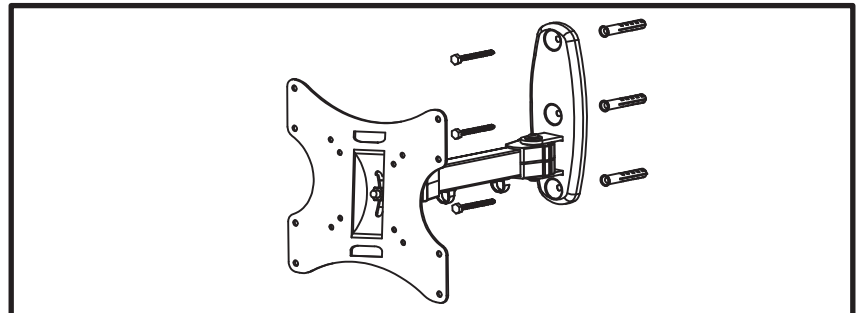
BUY ON
www.cablematic.com

Tool list

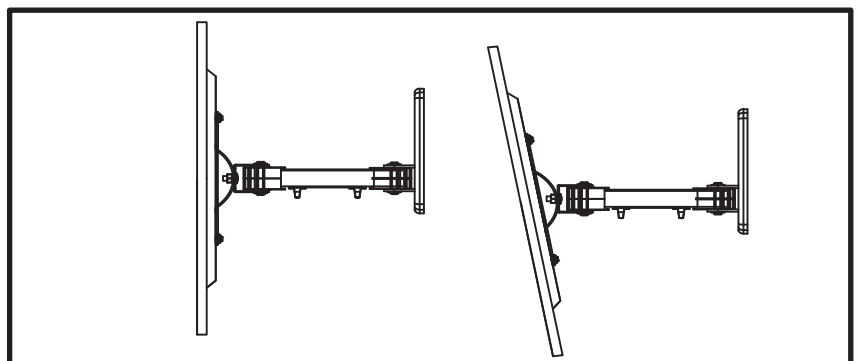
A	 M6x50 self tapping screw	X3	B	 Φ10x50 concrete anchor	X3	C	 Φ6x16 spacer	X4	D	 M6x16 screw	X4	E	 M5x16 screw	X4
F	 wire bottom	X2	G	 4mm allen key	X1									

Installing the wall mount.

1. Put the wall mount onto the wall with screws. make sure the three holes are on the same line.



2. Use the right spacer and screw to fix the display on the mount.



3. Adjust display with bolt. fix the bolt after you adjust display to the right position.