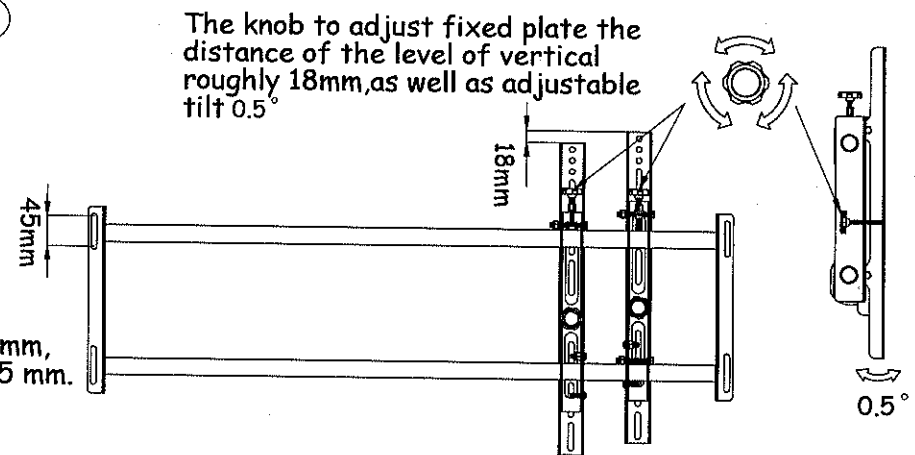


Item	Spare parts	Q'ty
1	SCREW BH 5/16"-18UNC*L2 1/2"---8pcs	1
2	SPRING WASHER ϕ 5/16"---8pcs	1
3	WASHER ϕ 8* ϕ 16---32pcs	1
4	NUT ϕ 5/16"-18UNC---8pcs	1
5	PLASTIC COVER ϕ 25.4---8pcs	1
6	SCREW M8*P1.25*L15mm---16pcs	1
7	SCREW 1/4"-20UNC* L1/2"---8pcs	1
8	SCREW 1/4"-20UNC*L50mm---8pcs	1
9	FIXED PLATE	8
10	ADJUSTMENT GROUP	2



Adjustable up / down of 45mm,
 each fine-tune the pitch of 5 mm.