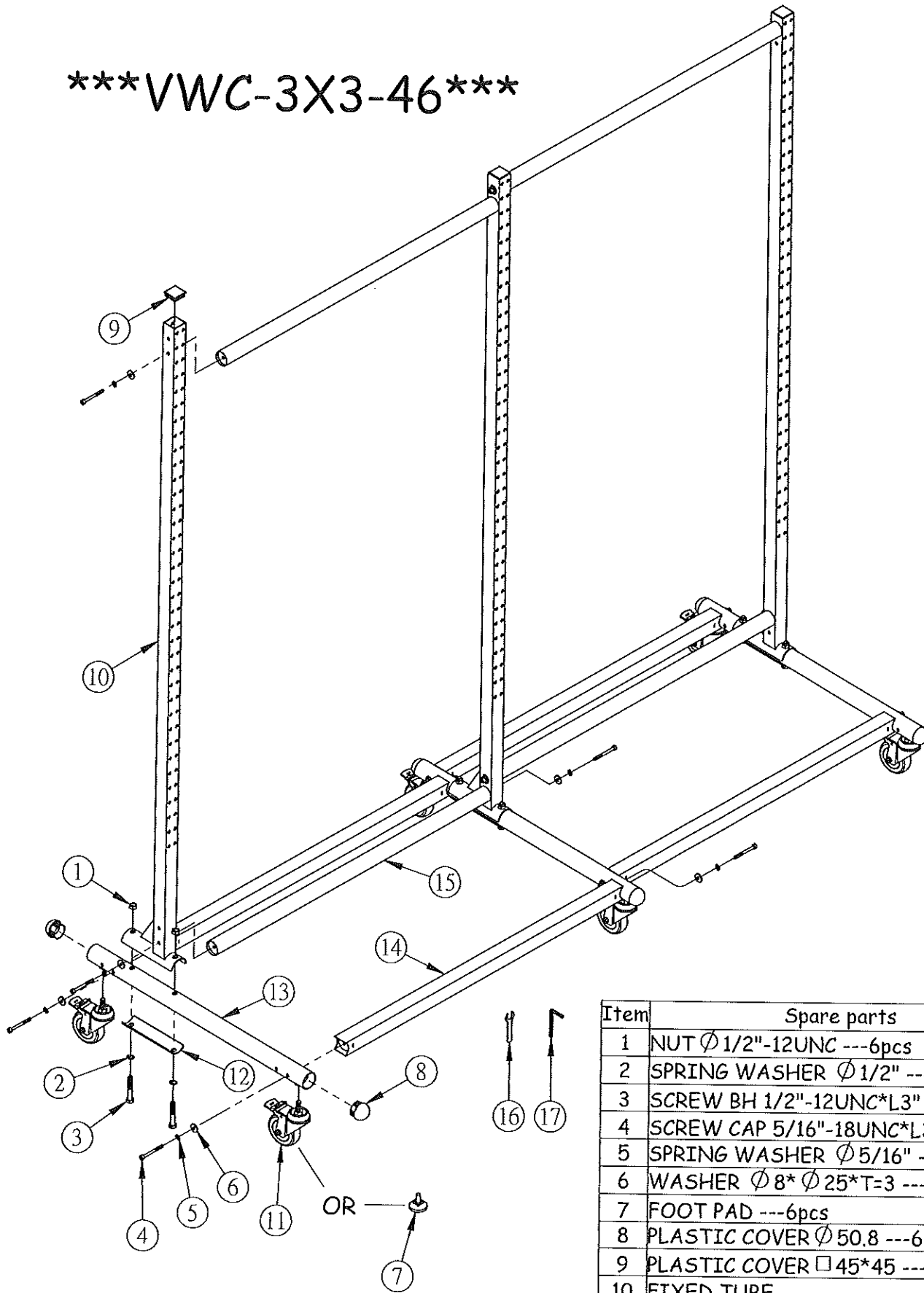
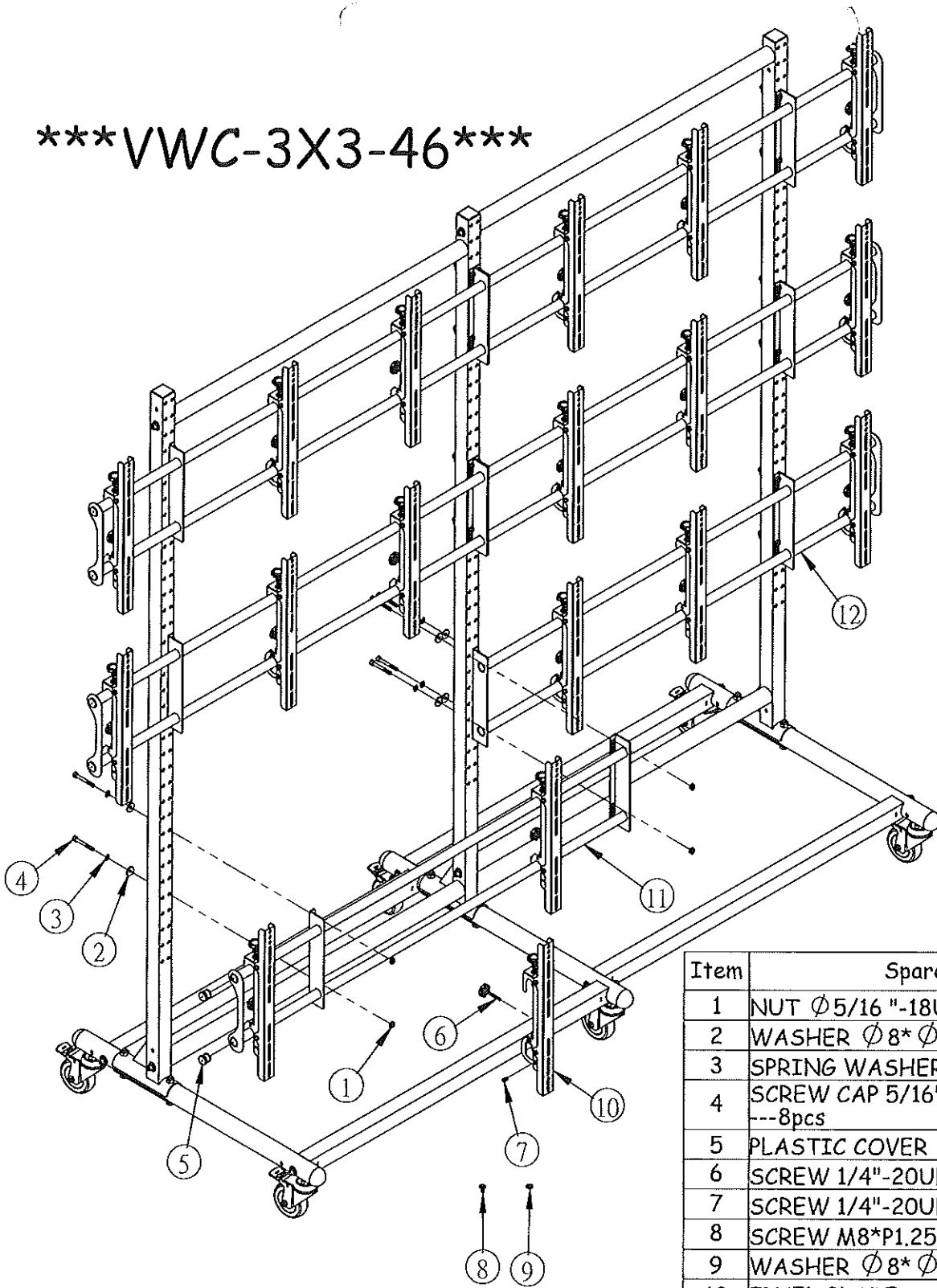


\*\*\*VWC-3X3-46\*\*\*



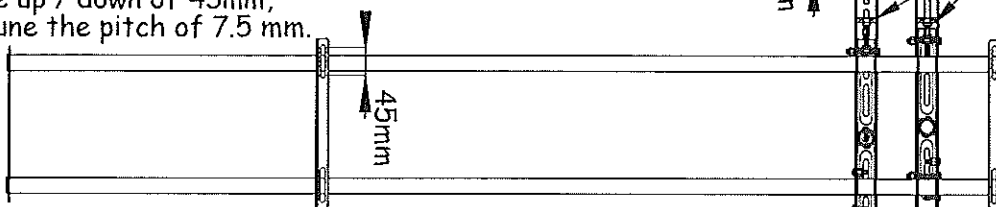
Item	Spare parts	Q'ty
1	NUT $\phi$ 1/2"-12UNC ---6pcs	1
2	SPRING WASHER $\phi$ 1/2" ---6pcs	1
3	SCREW BH 1/2"-12UNC*L3" ---6pcs	1
4	SCREW CAP 5/16"-18UNC*L3" ---16pcs	1
5	SPRING WASHER $\phi$ 5/16" ---16pcs	1
6	WASHER $\phi$ 8* $\phi$ 25*T=3 ---16pcs	1
7	FOOT PAD ---6pcs	1
8	PLASTIC COVER $\phi$ 50.8 ---6pcs	1
9	PLASTIC COVER $\square$ 45*45 ---3pcs	1
10	FIXED TUBE	3
11	WHEEL	6
12	U PLATE	3
13	BASE TUBE	3
14	SQUARE TUBE	4
15	CIRCULAR TUBE	4
16	WRENCH NO.21	1
17	ALLEN WRENCH NO.6	1

# \*\*\*VWC-3X3-46\*\*\*



Item	Spare parts	Q'ty
1	NUT $\phi 5/16$ "-18UNC ---8pcs	3
2	WASHER $\phi 8 \times \phi 25 \times T=3$ ---8pcs	3
3	SPRING WASHER $\phi 5/16$ " ---8pcs	3
4	SCREW CAP $5/16$ "-18UNC*L2 1/2" ---8pcs	3
5	PLASTIC COVER $\phi 25.4$ ---4pcs	3
6	SCREW $1/4$ "-20UNC*L50mm ---6pcs	3
7	SCREW $1/4$ "-20UNC*L 1/2" ---6pcs	3
8	SCREW M8*P1.25*L15mm ---12pcs	3
9	WASHER $\phi 8 \times \phi 18$ ---12pcs	3
10	FIXED PLATE	18
11	ADJUSTMENT GROUP A	3
12	ADJUSTMENT GROUP B	3

Adjustable up / down of 45mm,  
each fine-tune the pitch of 7.5 mm.



The knob can adjust fixed plate the distance of the level of vertical roughly 18mm, as well as adjustable tilt 0.5°

