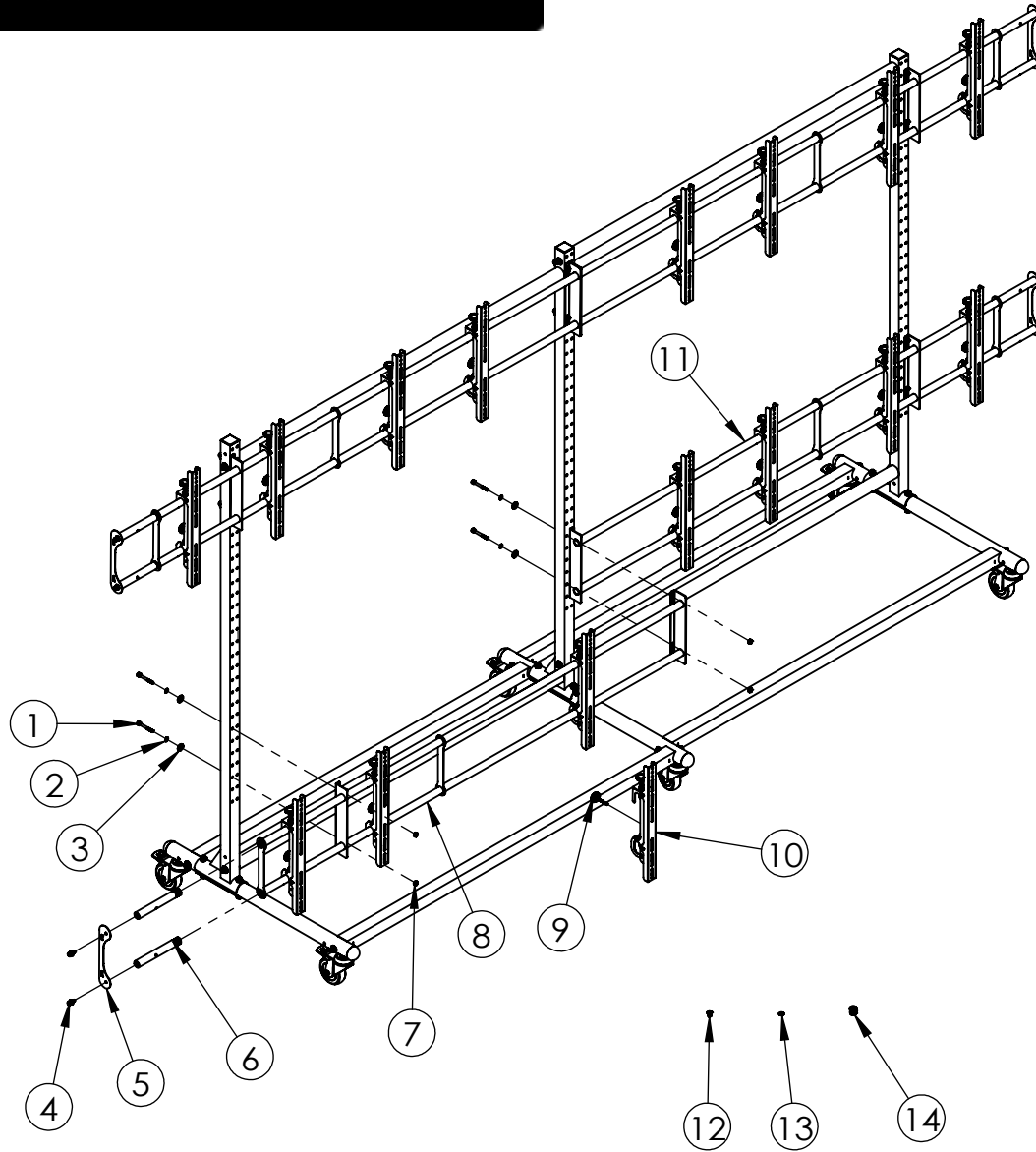


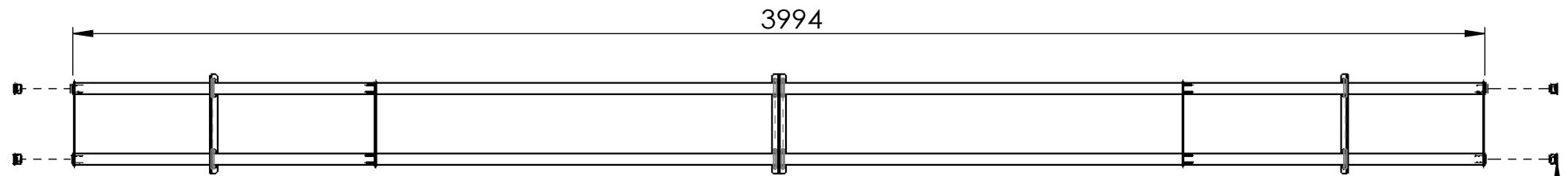
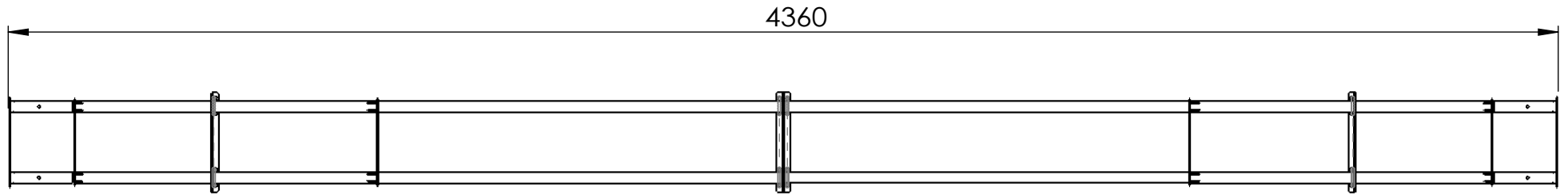
BUY ON

www.cablematic.com



\*\*\*OU37\*\*\*

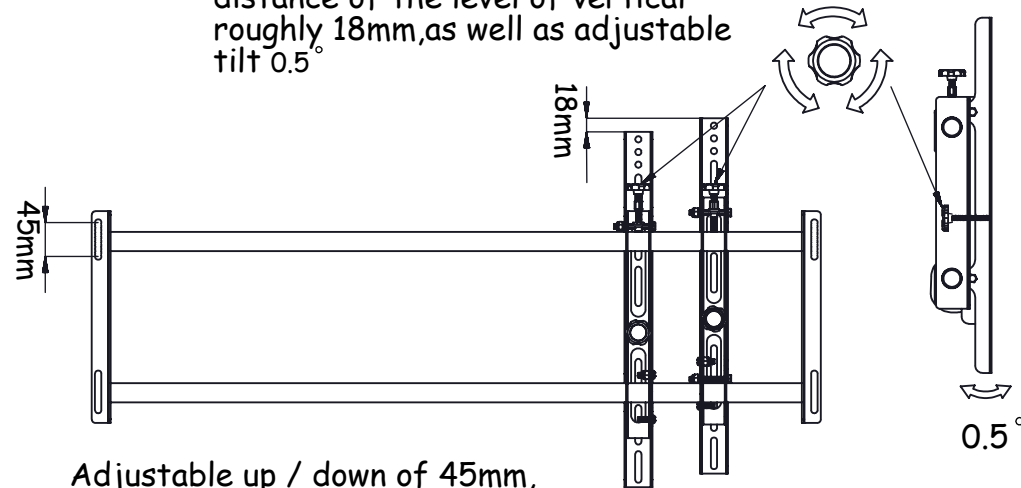
Item	Spare parts	Q'ty
1	SCREW CAP 5/16"-18UNC*L2 1/2"--8pcs	2
2	SPRING WASHER $\phi$ 5/16"--8pcs	2
3	WASHER $\phi$ 8* $\phi$ 25*T=3--8pcs	2
4	SCREW 5/16"-18UNC*L3/4"+2WASHER--4pcs	2
5	FIXED PLATE	4
6	EXTENSION TUBE	8
7	NUT $\phi$ 5/16"-18UNC--8pcs	2
8	ADJUSTMENT GROUP A	2
9	SCREW 1/4"-20UNC*L50mm--8pcs	2
10	ADJUSTMENT PLASTE	16
11	ADJUSTMENT GROUP B	2
12	SCREW M8*P1.25*L15mm--16pcs	2
13	WASHER $\phi$ 8* $\phi$ 18--16pcs	2
14	PLASTIC COVER $\phi$ 25.4--4pcs	2



BUY ON  
[www.cablematic.com](http://www.cablematic.com)

14

The knob to adjust fixed plate the distance of the level of vertical roughly 18mm, as well as adjustable tilt 0.5°



Adjustable up / down of 45mm,  
each fine-tune the pitch of 7.5 mm.