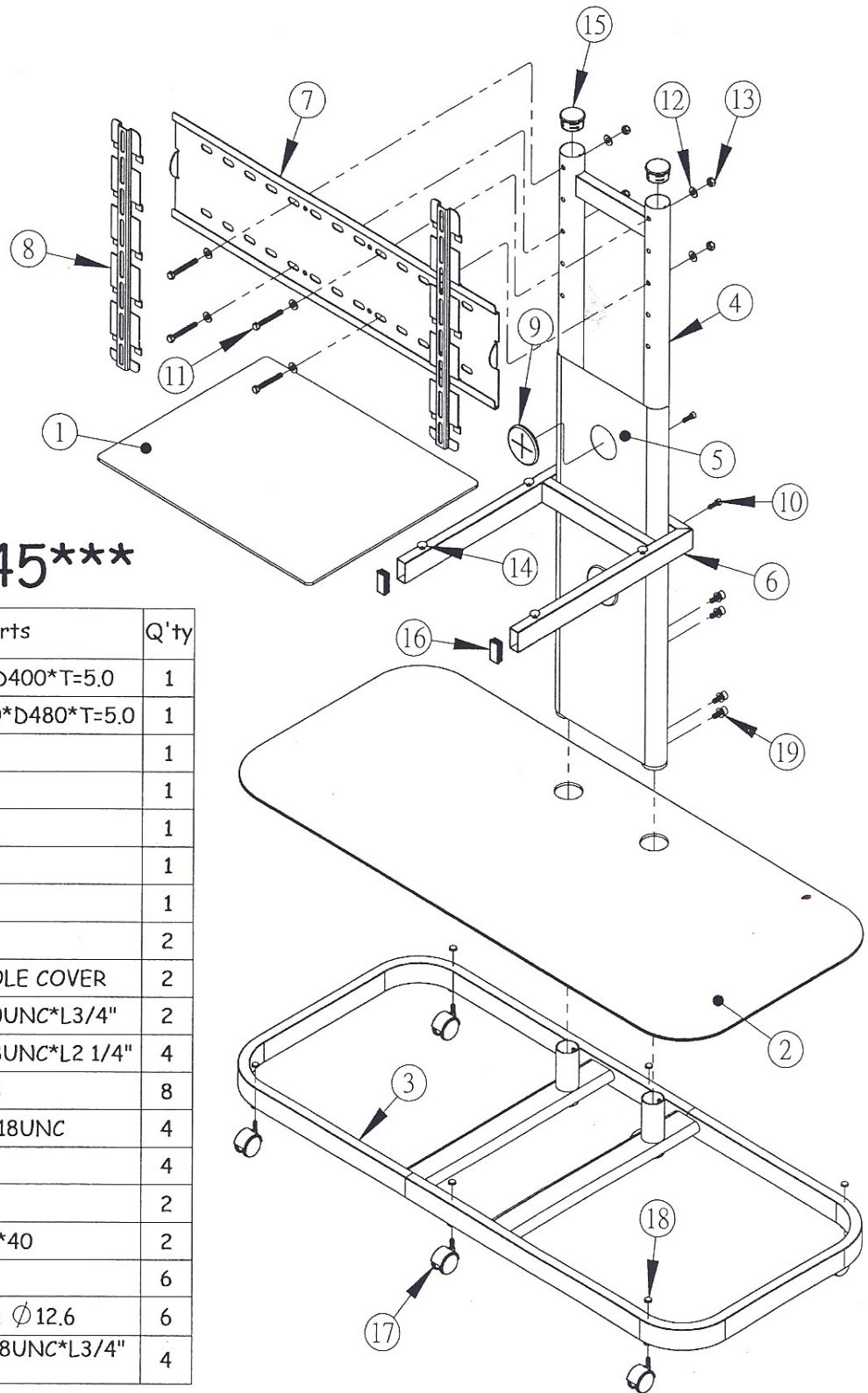


BUY ON

www.cablematic.com



OU45

Item	Spare parts	Q'ty
1	TOP PLATE W500*D400*T=5.0	1
2	BASE PLATE W1100*D480*T=5.0	1
3	BASE	1
4	EXTENSION TUBE	1
5	FRONT PLATE	1
6	U FIXED TUBE	1
7	BRACKET	1
8	FIXED PLATE	2
9	CIRCULAR LINE HOLE COVER	2
10	SCREW CAP 1/4"-20UNC*L3/4"	2
11	SCREW BH 5/16"-18UNC*L2 1/4"	4
12	WASHER $\phi 8 \times \phi 18$	8
13	NYLON NUT 5/16"-18UNC	4
14	SUCKER	4
15	PLASTIC TOP $\phi 42$	2
16	PLASTIC TOP $\square 20 \times 40$	2
17	CASTER 8*L5/8"	6
18	GLASS PROTECTOR $\phi 12.6$	6
19	SCREW CAP 5/16"-18UNC*L3/4" WITH 2 WASHERS	4