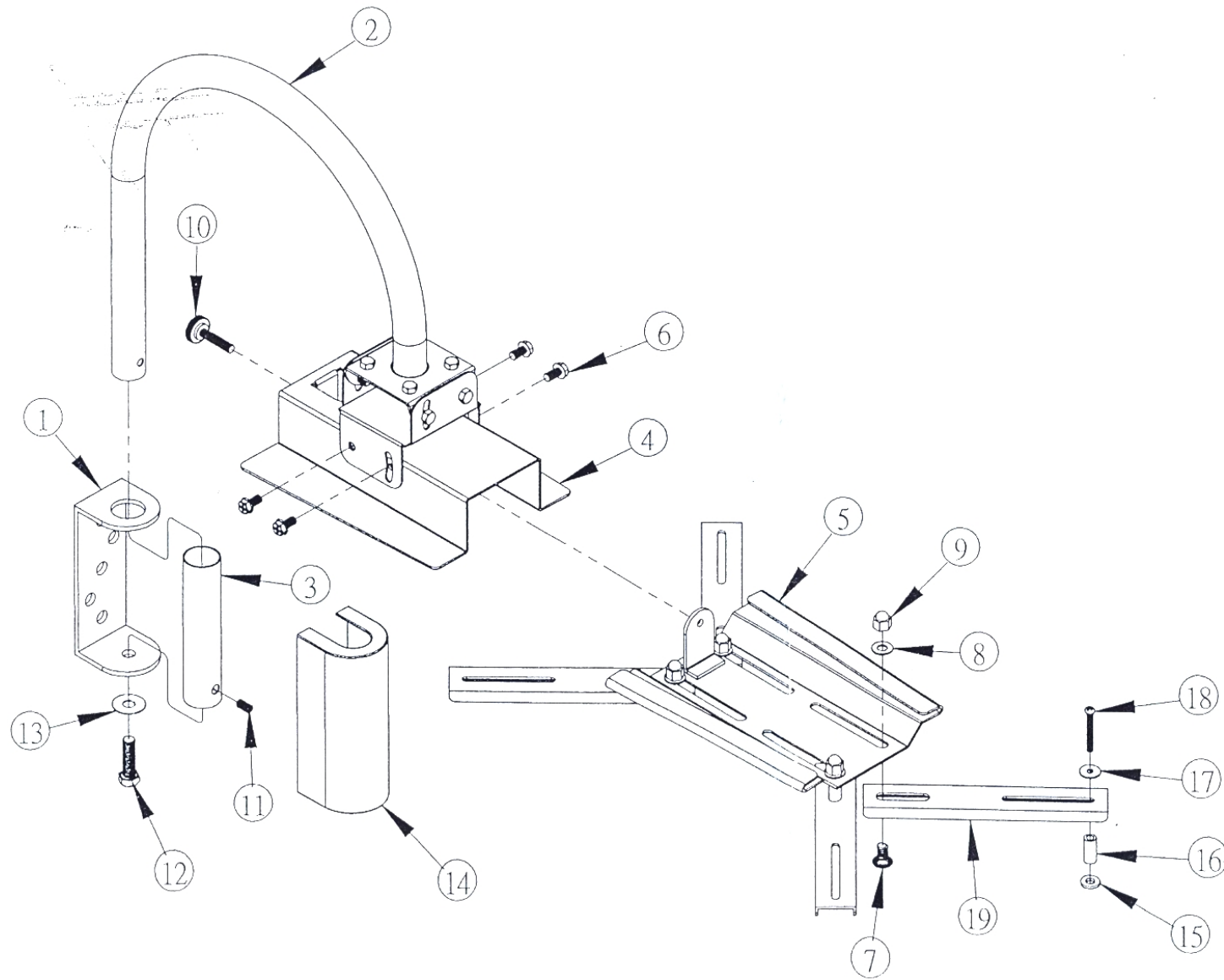


# \*\*\*OU50\*\*\*



Item	Spare parts	Q'ty
1	WALL PLATE	1
2	EXTENSION TUBE	1
3	FIXED TUBE	1
4	PLATFORM	
5	PLATFORM BASE	1
6	SCREW 1/4"-20UNC*L1/2"	12
7	SCREW 5/16"-18UNC*L14mm	4
8	WASHER $\phi$ 5/16"	4
9	NUT 5/16"-18UNC	4
10	ADJUSTING SCREW 1/4"-20UNC*L1"	1
11	BRAEK SCREW 1/4"-20UNC*L1/2"	1
12	SCREW BH 3/8"-16UNC*L1 1/4"	1
13	WASHER $\phi$ 3/8"	1
14	PLASTIC GUARD COVER	1
15	PLASTIC WASHER	4
16	ALUMINUM PIPE $\phi$ 9.5*L20mm	4
17	WASHER $\phi$ 5* $\phi$ 5/8"	4
18-1	SCREW M3*L38mm	4
18-2	SCREW M4*L35mm	4
18-3	SCREW M5*L35mm	4
18-4	SCREW M6*L35mm	4
19-1	ADJUSTING PLATE L=185mm	3
19-2	ADJUSTING PLATE L=140mm	4

