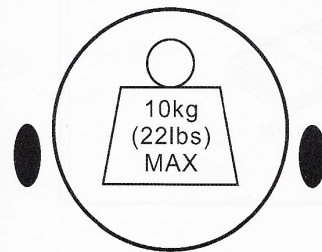
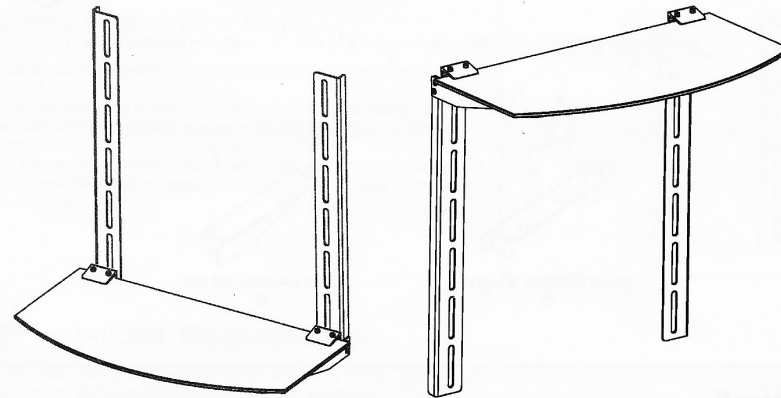
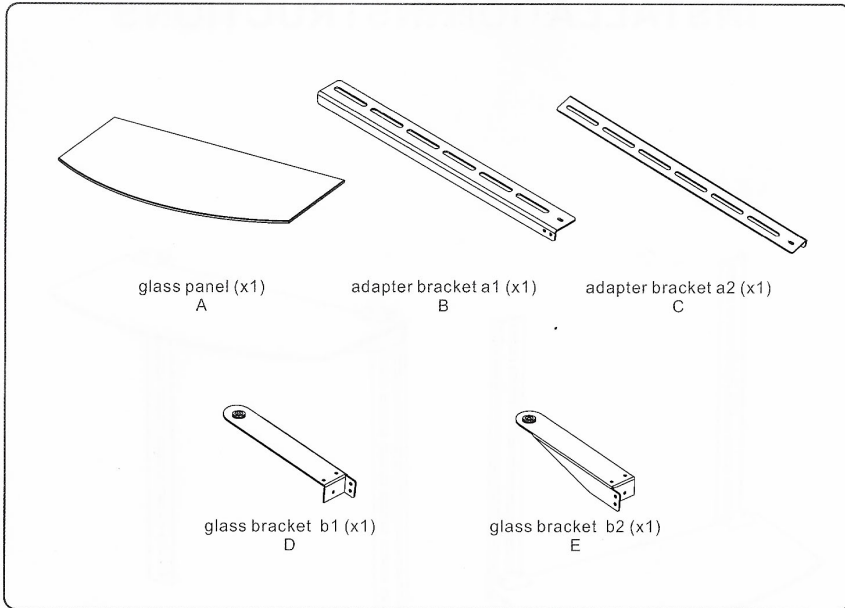


## INSTALLATION INSTRUCTIONS

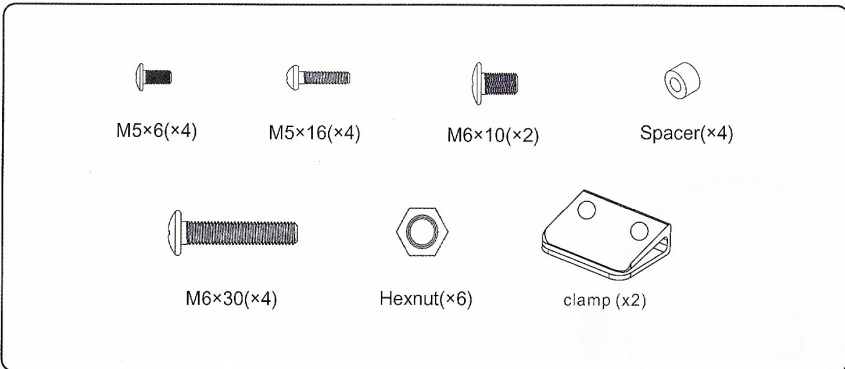


BUY ON  
[www.cablematic.com](http://www.cablematic.com)

**IMPORTANT:** Ensure you have received all parts against the component checklist prior to installing. If any parts are missing or faulty, telephone the special franchiser for a replacement.



**Package M**



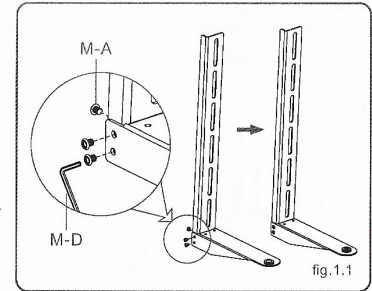
**1 MOUNTING BRACKET**

**1a. INSTALLING IN THE BOTTOM OF THE TV**

Place adapter bracket (B) and glass bracket (D) as shown in fig.1.1.

Align to mounting holes, using appropriate combination of screws and then tighten screws with allen key. Do not over tighten!

Ensure adapter bracket (B) is perpendicular to glass bracket (D). To assemble adapter bracket (C) and glass bracket (E) in the same way.

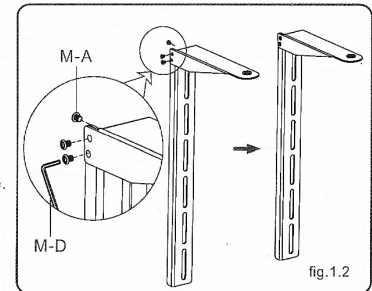


**1b. INSTALLING IN THE TOP OF THE TV**

Place adapter bracket (C) and glass bracket (E) as shown in fig.1.2.

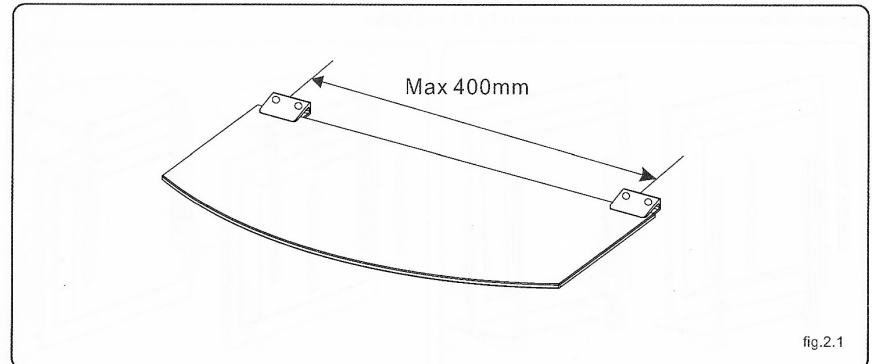
Align to mounting holes, using appropriate combination of screws and then tighten screws with allen key. Do not over tighten!

Ensure adapter bracket (C) is perpendicular to glass bracket (E). To assemble adapter bracket (B) and glass bracket (D) in the same way.



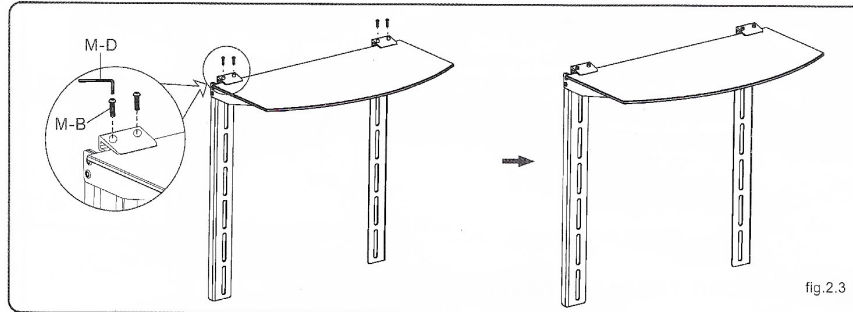
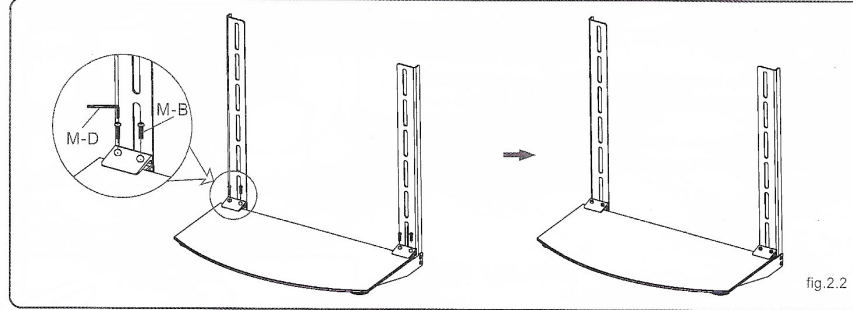
**2 INSTALLING THE GLASS PANEL**

Attached two clamps to the edge of the glass panel. You can adjust the distance between two clamps as required. Maximum distance is adjustable 400mm, as shown in fig.2.1



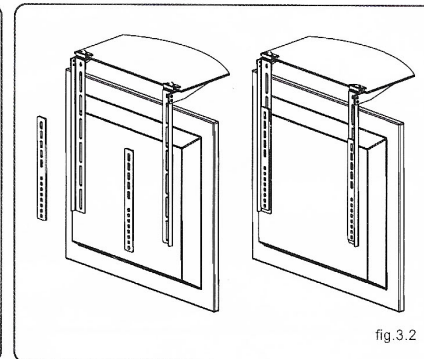
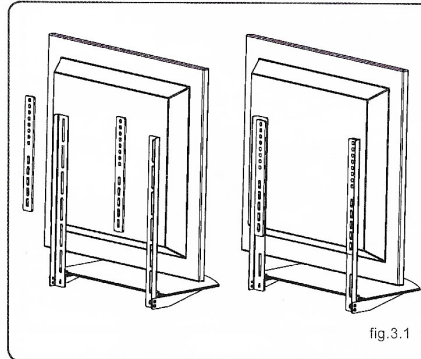
Assembled the glass panel mounted clamps and bracket

align the mounting holes on the bracket with the holes on the clamp, using appropriate combination of screws and then tighten screws with allen key. Do not over tighten! as shown in fig.2.2 and fig.2.3



### 3 INSTALL TV

Attach the adapter bracket between TV bracket and the back of the TV, align to mounting holes, using the appropriate combination of screws. as shown in fig.3.1 and fig.3.2.



BUY ON  
[www.cablematic.com](http://www.cablematic.com)