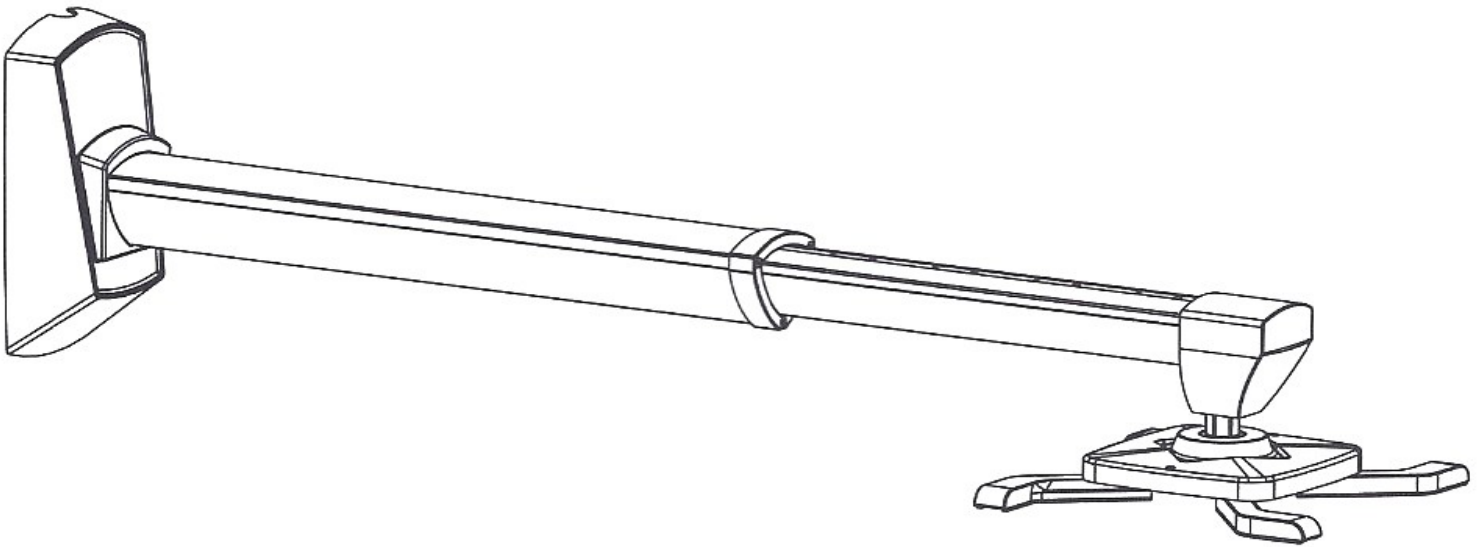


Short Throw Projector Wall Mount



BUY ON
www.cablematic.com



CAUTION: DO NOT EXCEED MAXIMUM LISTED WEIGHT CAPACITY. SERIOUS INJURY OR PROPERTY DAMAGE MAY OCCUR!

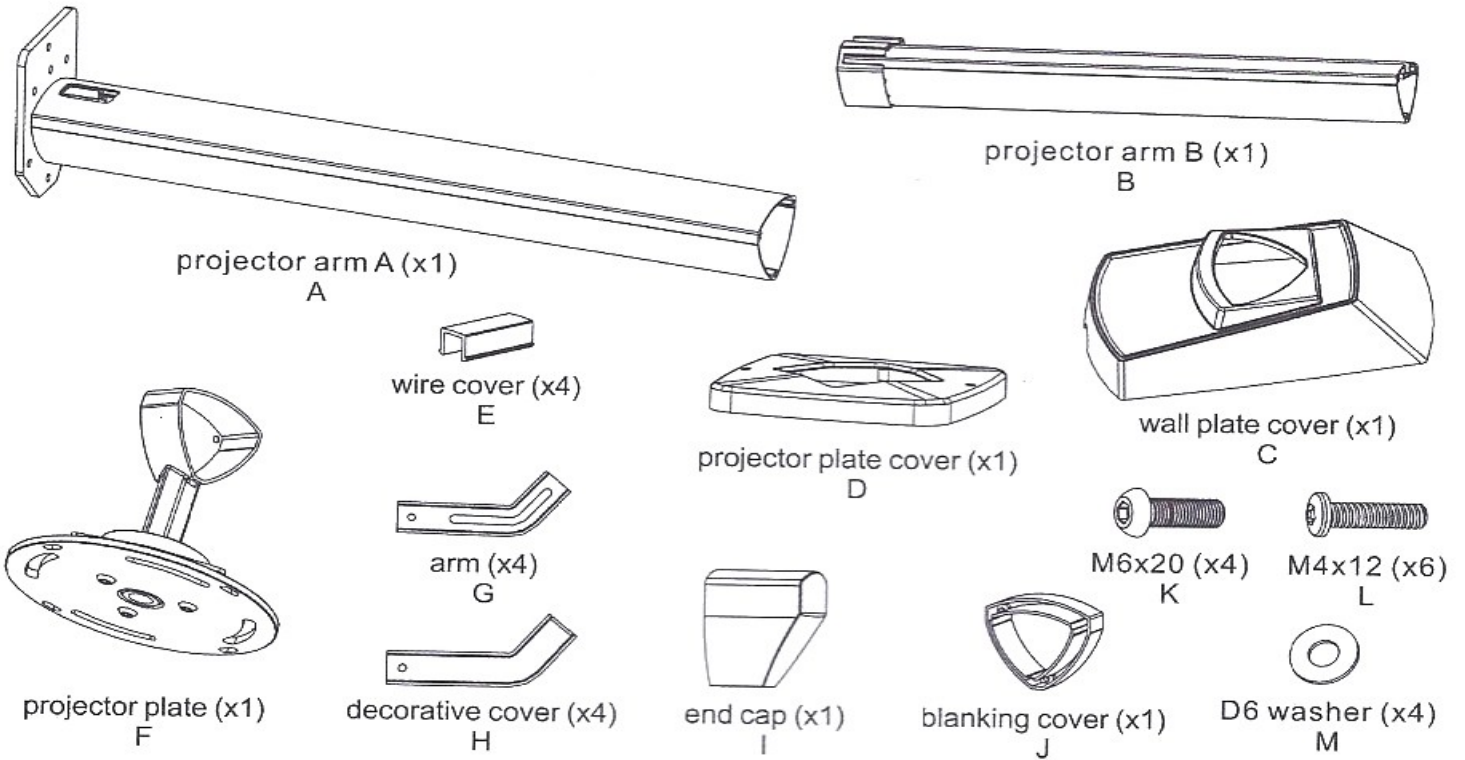
WARNING

- Do not begin the installation until you have read and understood the instructions and warnings contained in this installation sheet. If you have any questions regarding any of the instruction or warning, please contact your local distributor.
- This mounting bracket was designed to be installed and utilized **ONLY** as specified in this manual. Improper installation of this product may cause damage or serious injury.
- This product should only be installed by someone of good mechanical ability, with basic building experiences and fully understanding of this manual.
- Make sure that the supporting surface will safely support the combined load of the equipment and all attached hardware and components.
- Always use an assistant or mechanical lifting equipment to safely lift and position equipment.
- Tighten screws firmly, but do not over tighten. Over tightening can damage the items, greatly reducing their holding power.
- This product intended for indoor use only. Using this product outdoors could lead to product failure and personal injury.

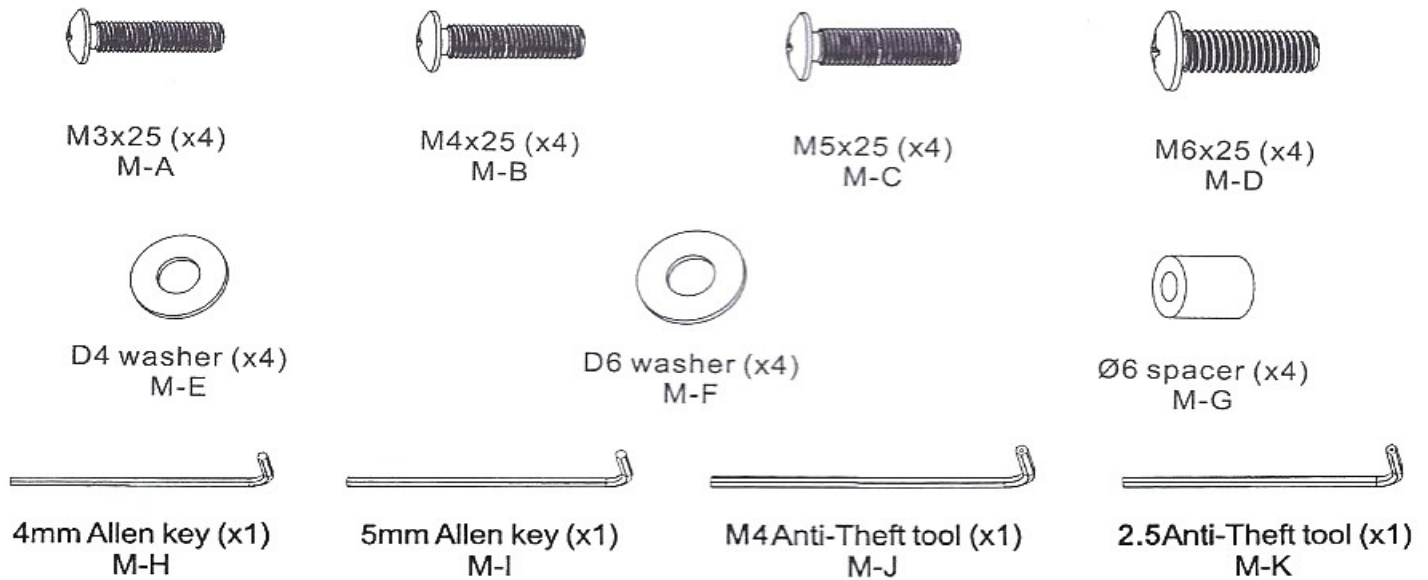
BUY ON
www.cablematic.com

Component Checklist

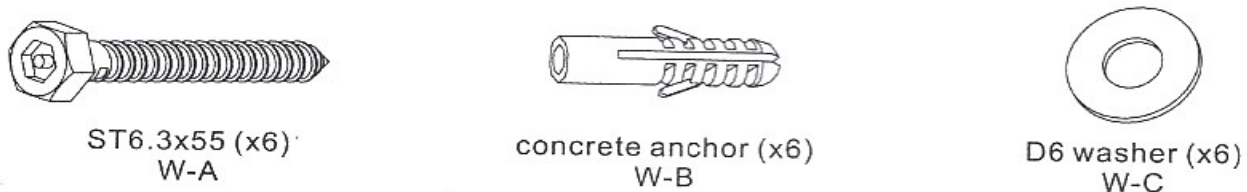
IMPORTANT: Ensure that you have received all parts according to the component checklist prior to installing. If any parts are missing or faulty, telephone your local distributor for a replacement.



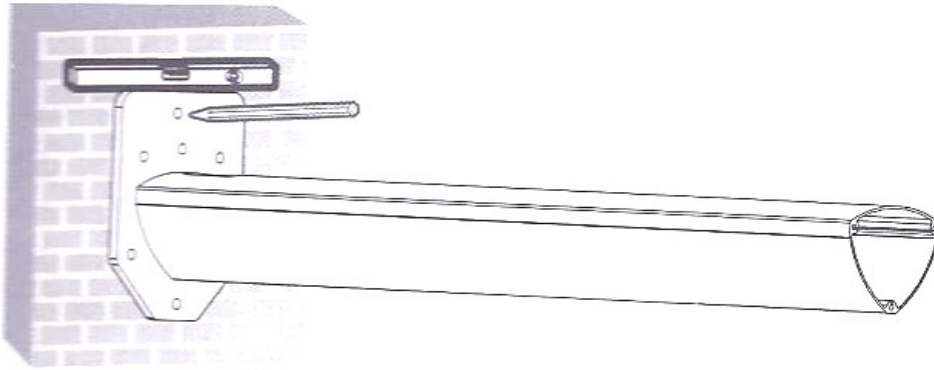
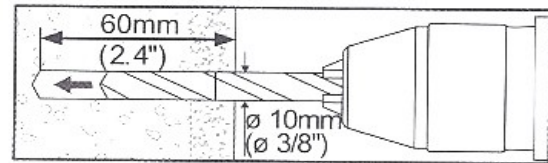
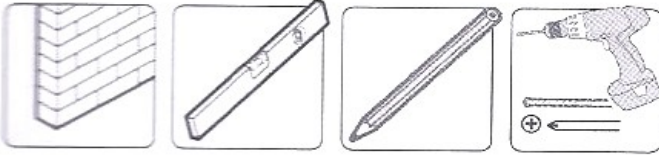
Package M



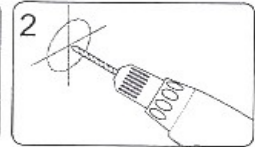
Package W



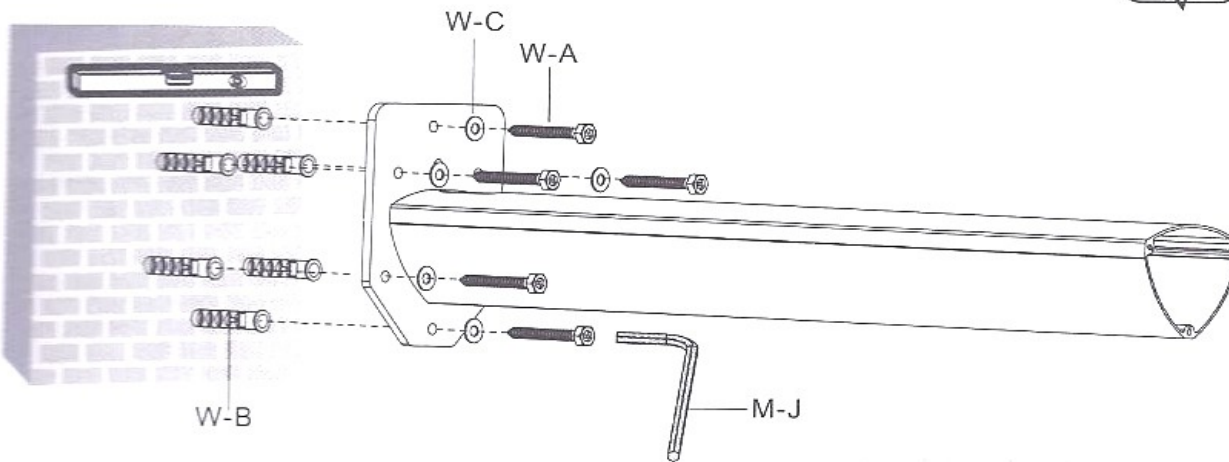
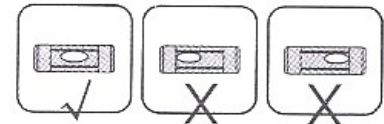
1. Mount on Solid Brick and Concrete Block



1
Mark the exact location of mounting holes



2
Drill pilot holes



Screw the projector arm A onto the wall.

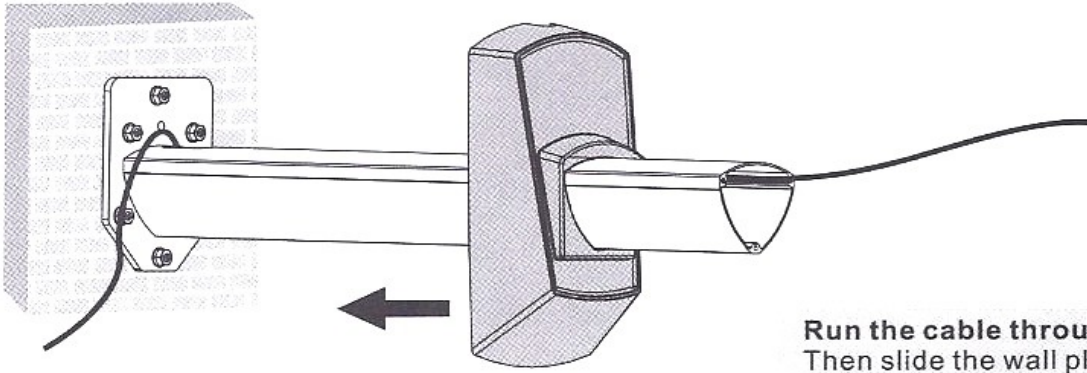
WARNING

- When installing wall mounts on cinder block, verify the actual concrete thickness is at least 1-3/8" (35mm) for using the concrete anchors. Do not drill into mortar joints! Be sure to mount in a solid part of the block, generally 1" (25mm) minimum from the side of the block. It is suggested electric drill on slow setting is used to drill the hole instead of a hammer drill to avoid breaking out the back of the hole when entering a void or cavity.
- Installers must verify that the supporting surface will safely support the combined load of the equipment and all attached hardware and components.

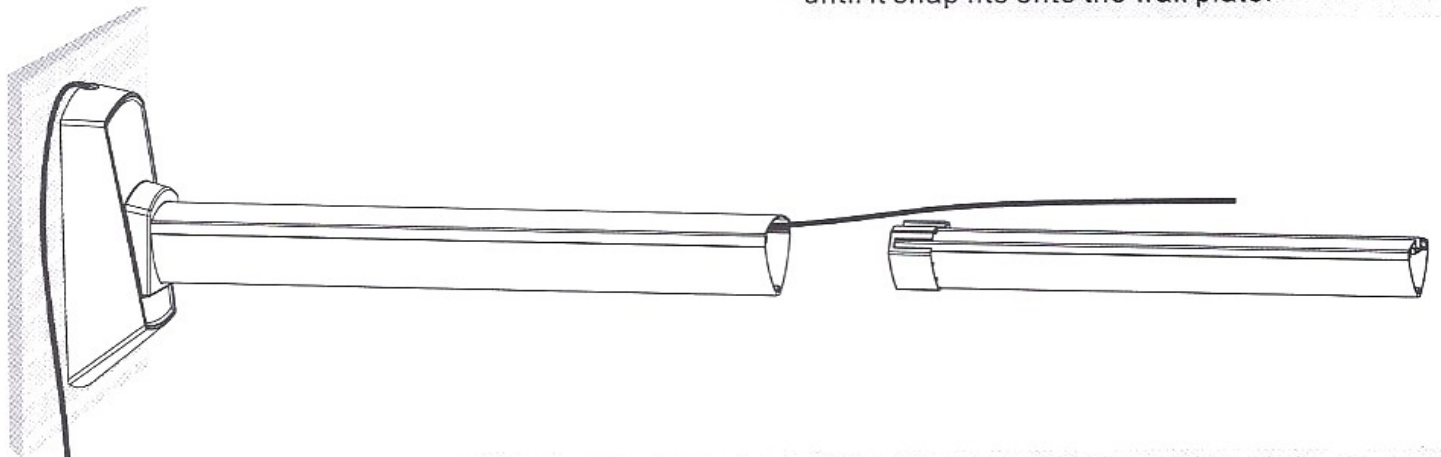
BUY ON

www.cablematic.com

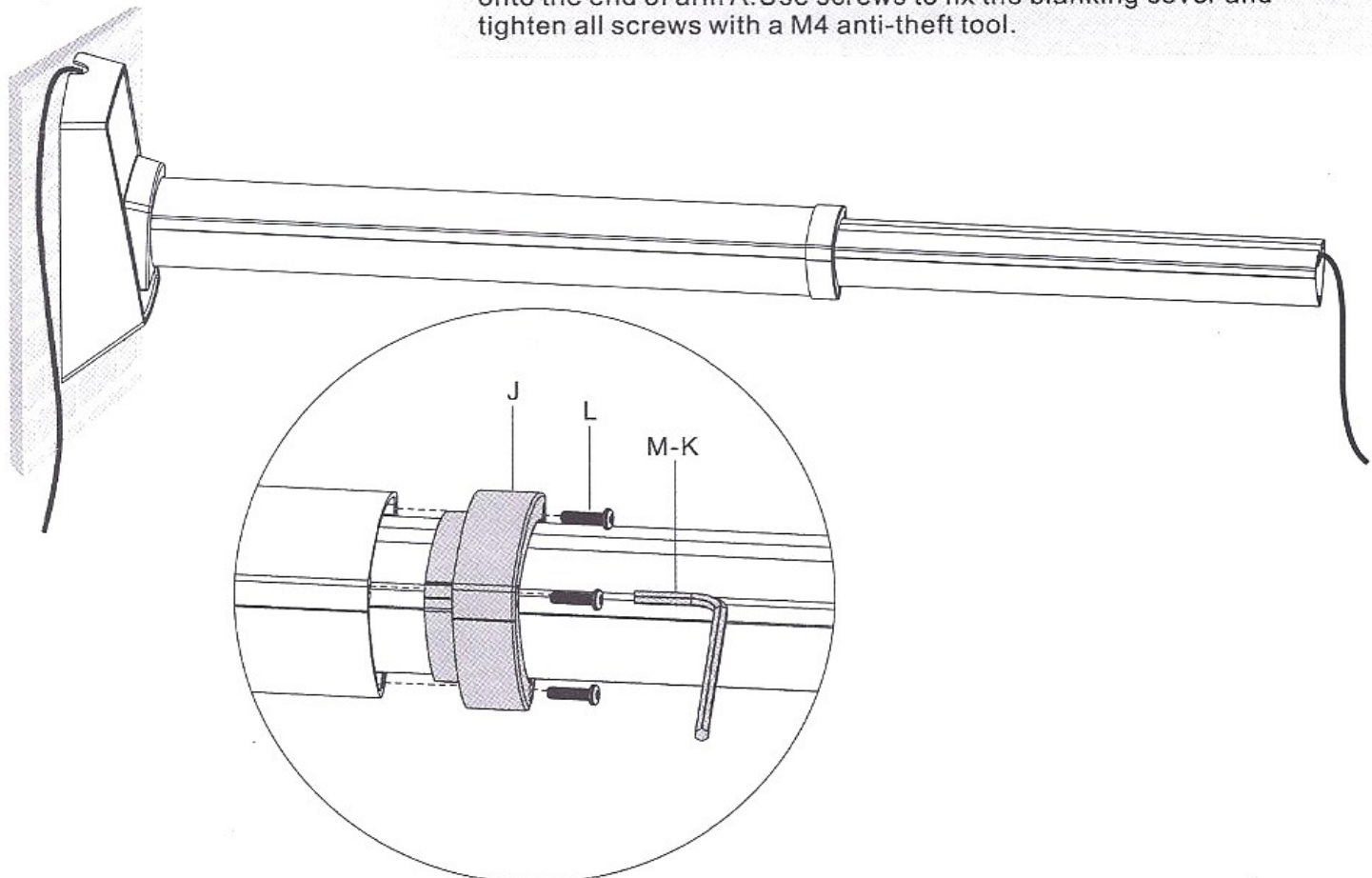
2. Install Wall Plate Cover and Cable Management



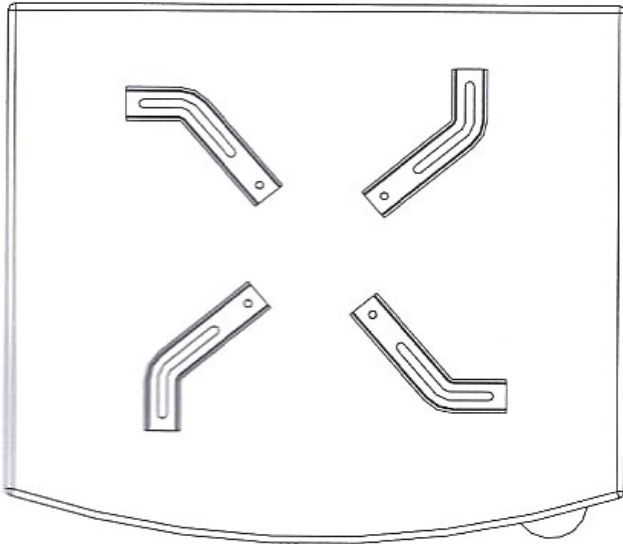
Run the cable through the prjecoter arm A.
Then slide the wall plate cover along the arm A until it snap fits onto the wall plate.



Run the cable through the prjecoter arm B.
Then insert the prjecoter arm B into the prjecoter arm A at the desired position, and slide the blanking cover along the arm B until it snap fits onto the end of arm A. Use screws to fix the blanking cover and tighten all screws with a M4 anti-theft tool.



3. Install the Arms

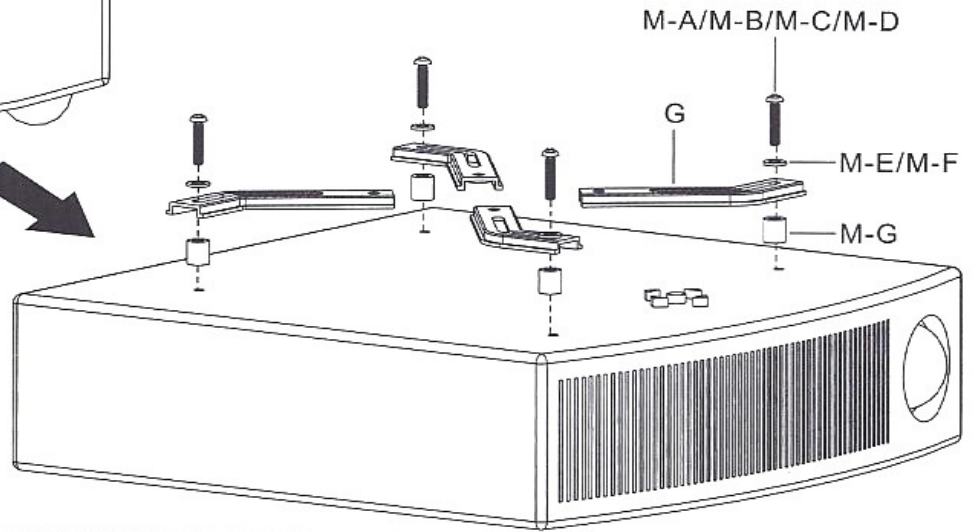


Note: If there are only three mounting holes using three arms.

Important: If the projector has less than three mounting holes, do not use this projector bracket.



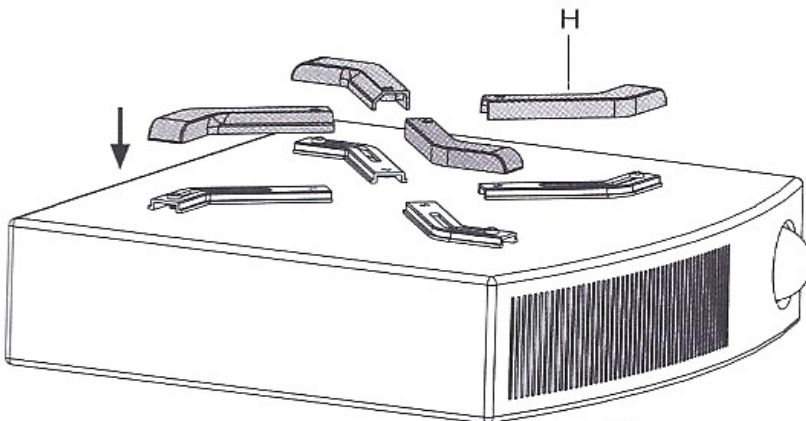
Position the holes of arms over mounting holes.



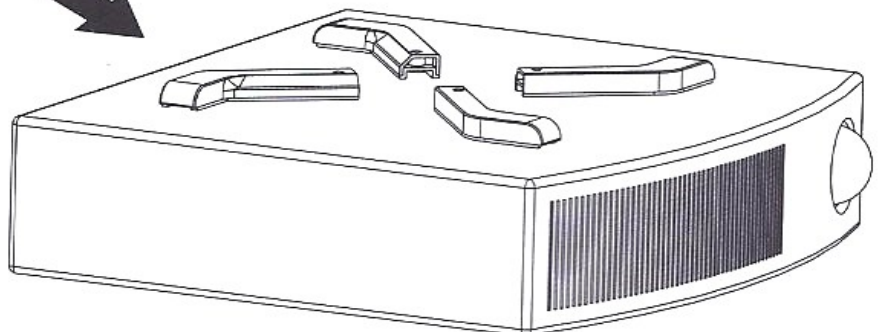
Screw arms onto the projector.



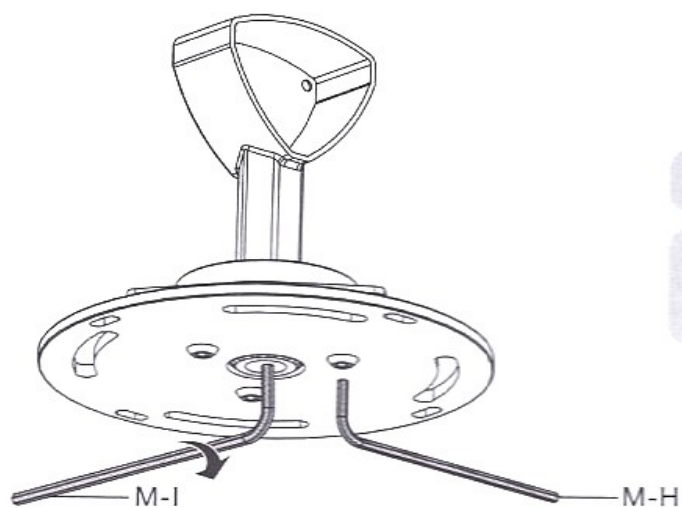
TIGHTEN ALL SCREWS BUT DO NOT OVER TIGHTEN!



Install decorative covers onto the arms.

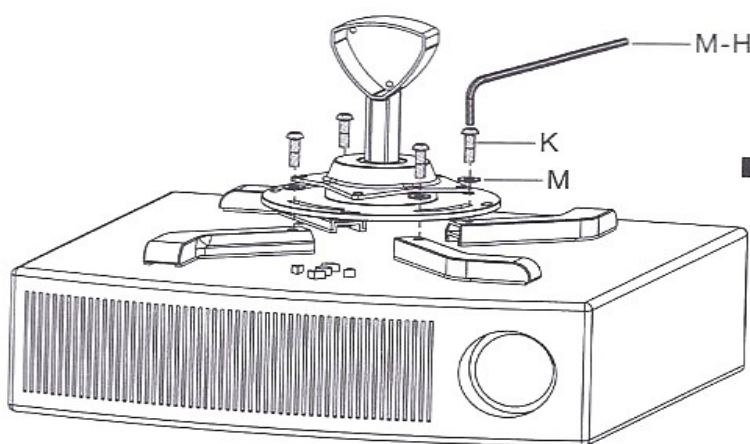


4. Install the Projector Plate

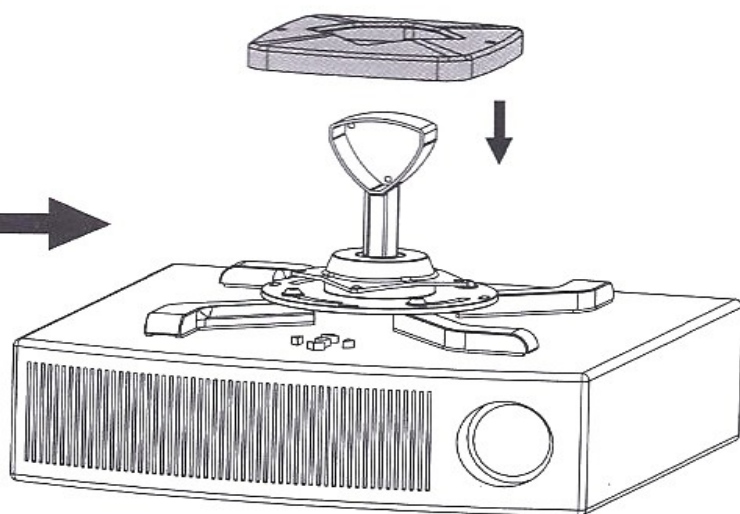


Fasten the projector plate with a 6mm Allen key.

It is necessary to loosen or tighten the adjustment screws with a 4mm Allen key according to the weight of the projector.

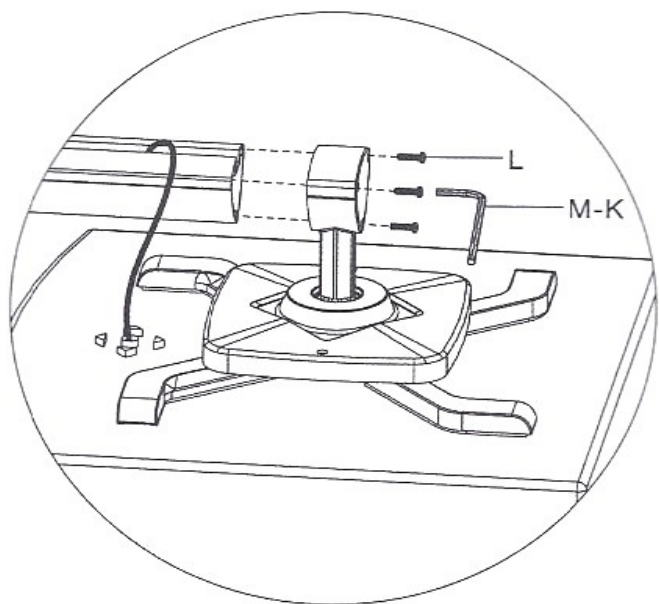


Attach the projector plate to the arms (with attached projector) using appropriate screws and washers.

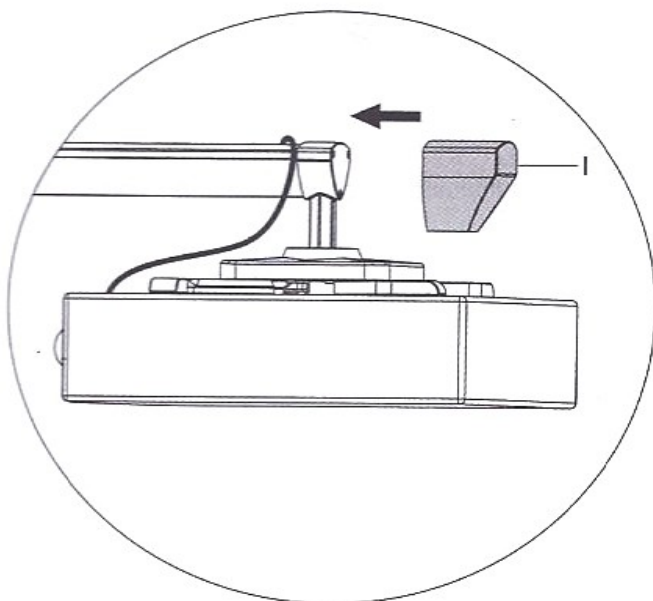


Insert projector plate cover onto projector plate.

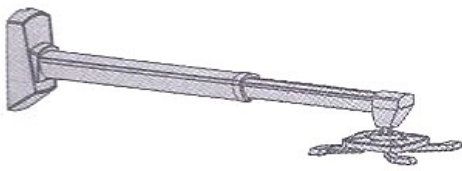
5. Attach the Projector to Projector Arm



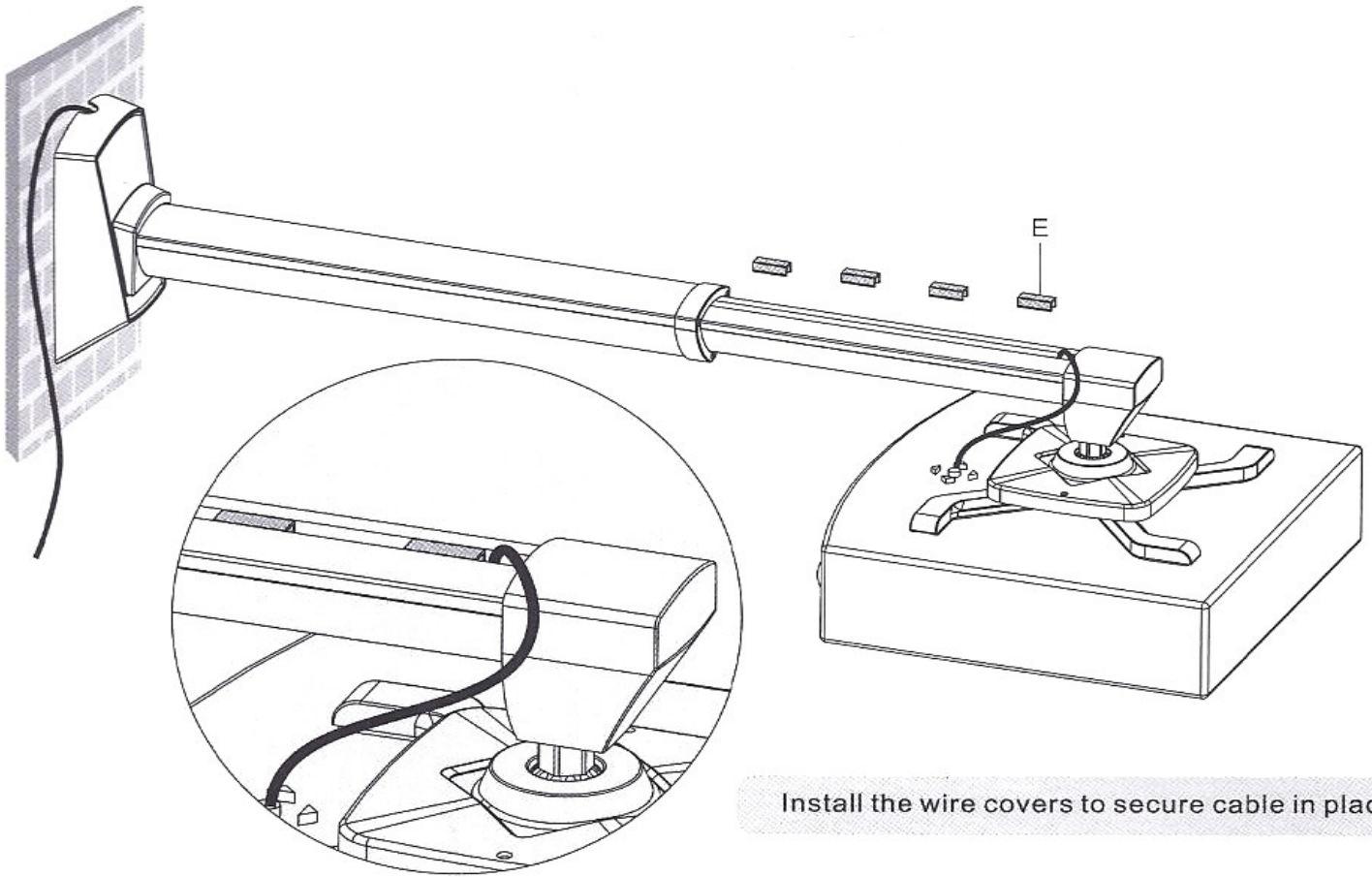
Attach the projector plate (with attached projector) to projector arm using appropriate screws, and tighten screws to secure with a M4 anti-theft tool.



Install the end cap onto the projector plate assembly.

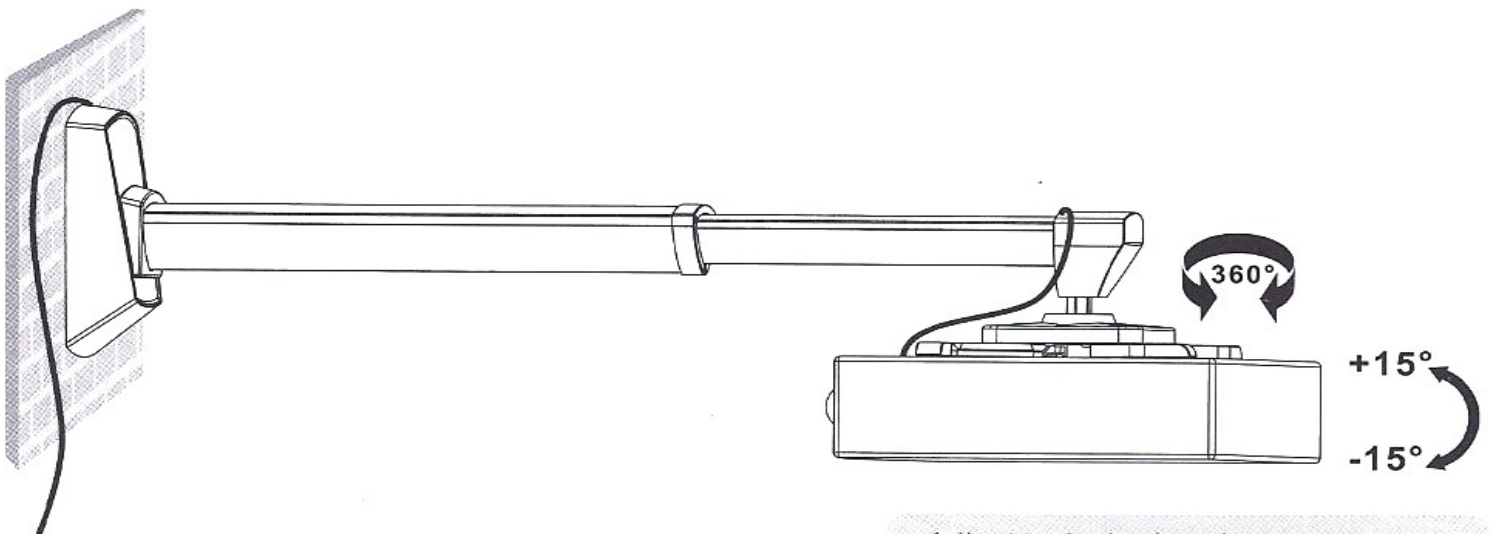


6. Install the Wire Covers



Install the wire covers to secure cable in place.

7. Adjustment



Adjust to desired angle.

BUY ON

www.cablematic.com

Maintenance

- Check that the bracket is secure and safe to use at regular intervals (at least every three months).
- Please contact your dealer if you have any questions.