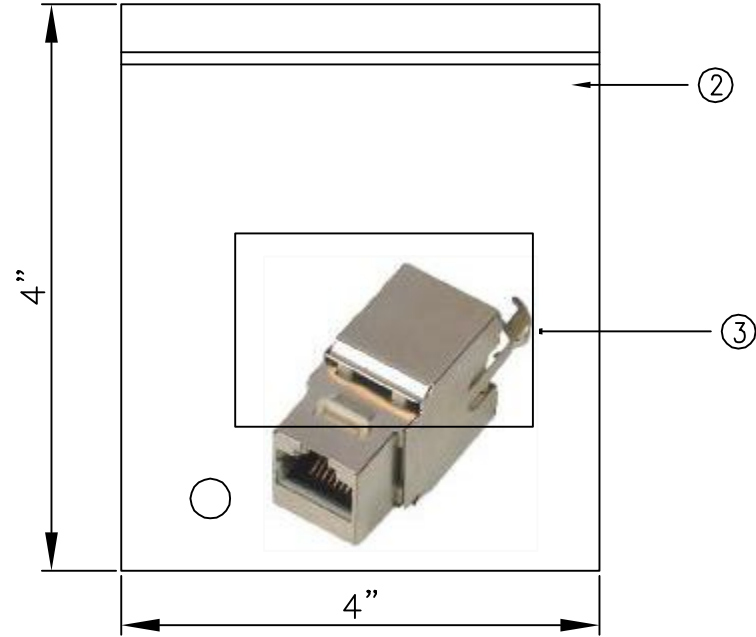


Cat. 6 SIP RJ45 Keystone Jack (LK-2014) Rd-S

| | | |
|----------------|---------------------|---------------|
| WEIGHT: | CUSTOMER NO: | REMARK |
| | RD60 | Cablematic |



NOTE:

- ➊ 1PCS/FE BAG LABEL
- ➋ ROHS COMPLIANT.



| A | | FIRST EDITION | CJAN | 04/08/10 | | | | | | | | | | |
|---|---------------|---|--------------|-----------------|---------|-------------------------------------|---------|-------------------|---------|------------|---------|--------------------------------------|--|--|
| REV. | ECR | DESCRIPTION | C.N. | DATE | | | | | | | | | | |
| <small>THESE DRAWINGS AND SPECIFICATIONS ARE THE PROPERTY OF WIRETEK COMPUTER LIMITED AND SHALL NOT BE REPRODUCED COPIED OR USED IN ANY MANNER WITHOUT THE PRIOR WRITTEN CONSENT OF WIRETEK COMPUTER LIMITED.</small> | | <small>UNLESS OTHERWISE SPECIFIED: DIMENSIONS ARE IN MILLIMETERS ANGULAR TOLERANCE: ±1.0°</small> | | | | | | | | | | | | |
| <table border="1"> <tr> <th>DIMENSIONS</th> <th>TOLERANCE</th> </tr> <tr> <td>0.00 TO 30.00mm</td> <td>±0.10mm</td> </tr> <tr> <td>30.01 TO 80.00mm</td> <td>±0.13mm</td> </tr> <tr> <td>80.01 TO 150.00mm</td> <td>±0.15mm</td> </tr> <tr> <td>150.01mm +</td> <td>±0.20mm</td> </tr> </table> | | DIMENSIONS | TOLERANCE | 0.00 TO 30.00mm | ±0.10mm | 30.01 TO 80.00mm | ±0.13mm | 80.01 TO 150.00mm | ±0.15mm | 150.01mm + | ±0.20mm | TITLE Keystone Jack | | |
| DIMENSIONS | TOLERANCE | | | | | | | | | | | | | |
| 0.00 TO 30.00mm | ±0.10mm | | | | | | | | | | | | | |
| 30.01 TO 80.00mm | ±0.13mm | | | | | | | | | | | | | |
| 80.01 TO 150.00mm | ±0.15mm | | | | | | | | | | | | | |
| 150.01mm + | ±0.20mm | | | | | | | | | | | | | |
| <table border="1"> <tr> <td>CHKD.</td> <td>CONF.</td> </tr> <tr> <td>DR. CJAN</td> <td>APPD.</td> </tr> </table> | | CHKD. | CONF. | DR. CJAN | APPD. | PART NO. 2600-3776 | | | | | | | | |
| CHKD. | CONF. | | | | | | | | | | | | | |
| DR. CJAN | APPD. | | | | | | | | | | | | | |
| MATERIAL | FINISH | SCALE | SHEET | UNIT | | | | | | | | | | |
| MATERIAL | FINISH | | 1 / 1 | MM | | | | | | | | | | |
| | | SIZE | REV. | | | | | | | | | | | |
| | | A4 | A | | | | | | | | | | | |