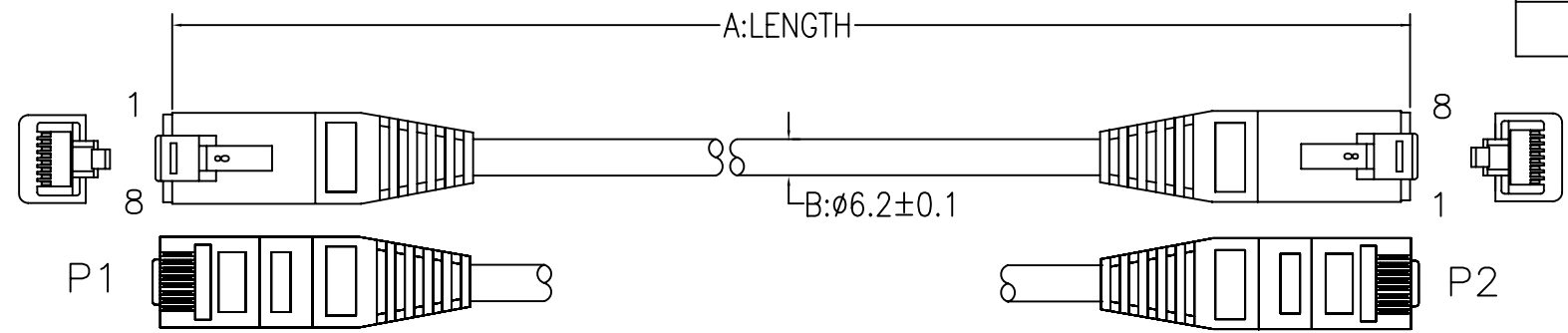
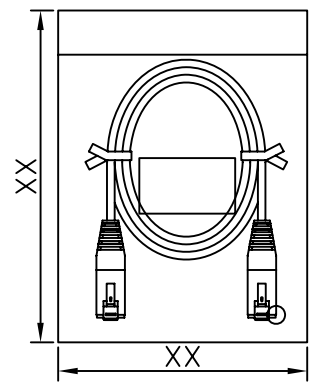
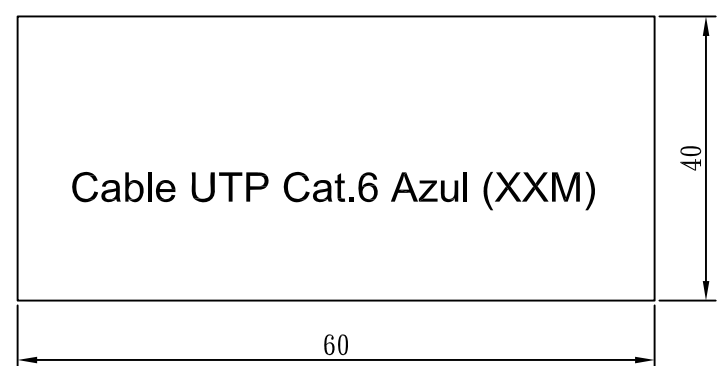
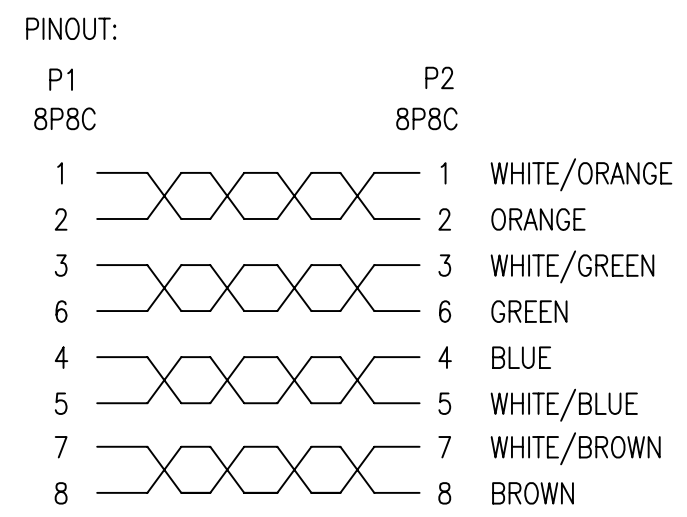


CUSTOMER NO:	REMARK
	Cablematic



PART NO.:	CUSTOMER NO.:	LENGTH	PE BAG SIZE	LABEL SIZE	CARTON QT'Y
W47C6UBL025	RJ11	250±30MM	6"*8"*0.06MM	40*60mm	350
W47C6UBL0.5	RJ12	500±30MM	6"*8"*0.06MM	40*60mm	300
W47C6UBL01	RJ13	1000±30MM	6"*8"*0.06MM	40*60mm	200
W47C6UBL02	RJ14	2000±30MM	6"*8"*0.06MM	40*60mm	150
W47C6UBL03	RJ15	3000±30MM	8"*10"*0.08MM	40*60mm	80
W47C6UBL04	RJ16	4000±30MM	8"*10"*0.08MM	40*60mm	60
W47C6UBL05	RJ17	5000±30MM	8"*12"*0.08MM	40*60mm	50
W47C6UBL07	RJ18	7000±30MM	8"*12"*0.08MM	40*60mm	30



3	OUTER JACKET PVC 45Pa BLUE(1701) (RoHS)
2	RJ45 8P8C PLUG GOLD 30U" FOR UTP (RoHS)
1	CAT.6 UTP 24#4P(7*0.185) COPPER STRANDED TYPE OD:6.2MM BLUE(1701) W/"+" XXXXMM (RoHS)

B	ADD LENGTH	J.LAN	30/09/10
REV.	ECR	DESCRIPTION	C.N. DATE
<small>THESE DRAWINGS AND SPECIFICATIONS ARE THE PROPERTY OF WIRETEK COMPUTER LIMITED AND SHALL NOT BE REPRODUCED COPIED OR USED IN ANY MANNER WITHOUT THE PRIOR WRITTEN CONSENT OF WIRETEK COMPUTER LIMITED.</small>			
<small>UNLESS OTHERWISE SPECIFIED: DIMENSIONS ARE IN MILLIMETERS ANGULAR TOLERANCE: ±1.0°</small>		<b>TITLE</b> <b>UTP CABLE</b>	
DIMENSIONS	TOLERANCE	CHKD.	CONF.
0.00 TO 30.00mm	±0.10mm		
30.01 TO 80.00mm	±0.13mm	DR.	APPD.
80.01 TO 150.00mm	±0.15mm		
150.01mm	±0.20mm		
MATERIAL	MATERIAL	PART NO. <b>W47C6UBLXX</b>	
FINISH	FINISH	SCALE	SHEET <b>1/2</b> UNIT <b>MM</b> SIZE <b>A4</b> REV. <b>B</b>