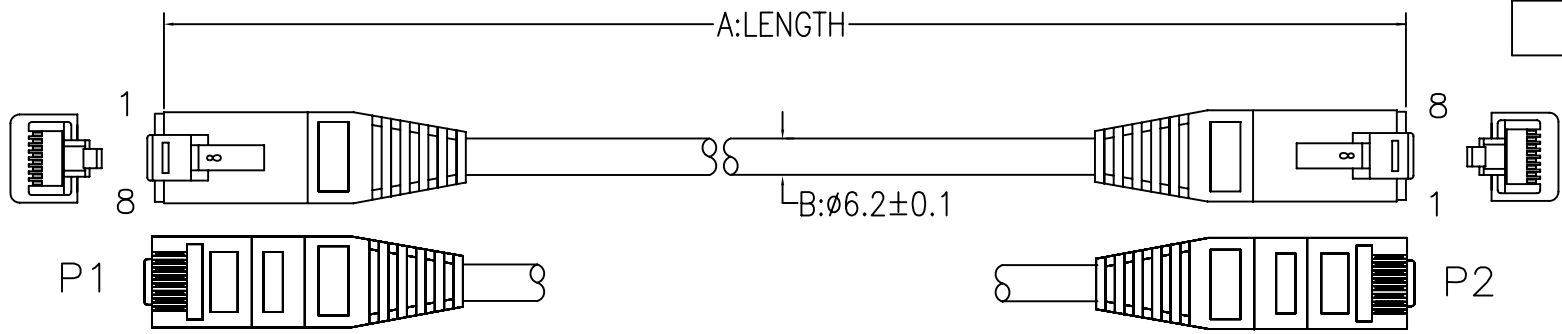
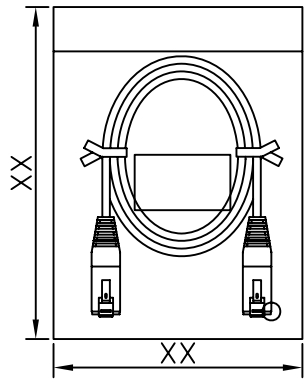
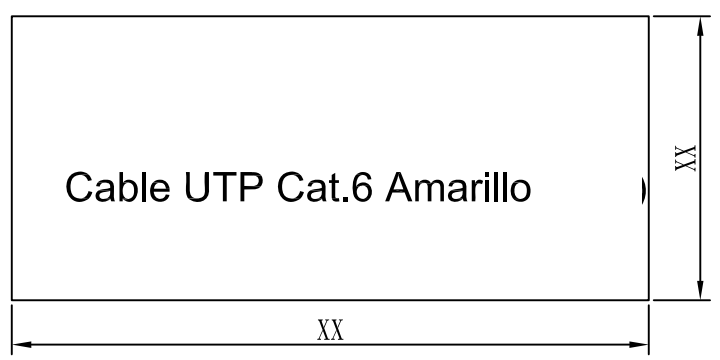
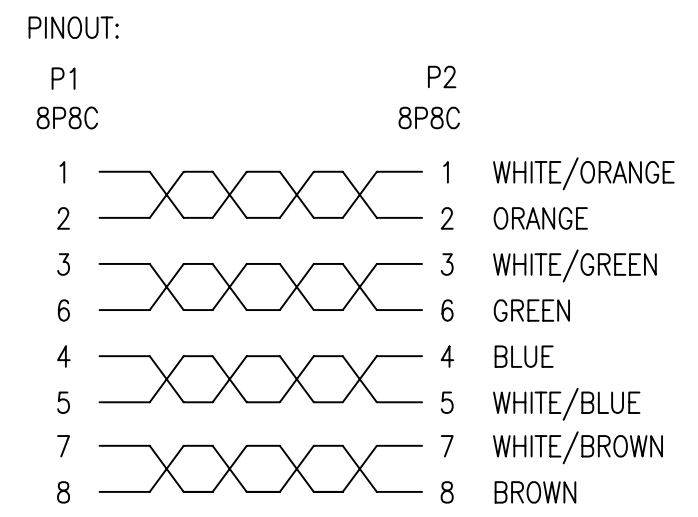


CUSTOMER NO:	REMARK
	Cablematic



PART NO.:	CUSTOMER NO.:	LENGTH	PE BAG SIZE	LABEL SIZE	CARTON QT'Y
W47C6UBL0.25	RJ31	250±30MM	6"*8"*0.08MM	40*60mm	350
W47C6UBL0.5	RJ32	500±30MM	6"*8"*0.08MM	40*60mm	300
W47C6UBL01	RJ33	1000±30MM	6"*8"*0.08MM	40*60mm	200
W47C6UBL02	RJ34	2000±30MM	6"*8"*0.08MM	40*60mm	150
W47C6UBL03	RJ35	3000±30MM	8"*10"*0.08MM	40*60mm	80
W47C6UBL04	RJ36	4000±30MM	8"*10"*0.08MM	40*60mm	60
W47C6UBL05	RJ37	5000±30MM	8"*12"*0.08MM	40*60mm	50



3	OUTER JACKET PVC 45Pa YELLOW(1501) (RoHS)
2	RJ45 8P8C PLUG GOLD 30U" FOR UTP (RoHS)
1	CAT.6 UTP 24#4P(7*0.185) COPPER STRANDED TYPE OD:6.2MM YELLOW(1501)W/"+" XXXXMM (RoHS)

A	FIRST EDITION	WUZAN	30/09/10
REV.	ECR	DESCRIPTION	C.N. DATE
<small>THESE DRAWINGS AND SPECIFICATIONS ARE THE PROPERTY OF WIRETEK COMPUTER LIMITED AND SHALL NOT BE REPRODUCED COPIED OR USED IN ANY MANNER WITHOUT THE PRIOR WRITTEN CONSENT OF WIRETEK COMPUTER LIMITED.</small>			
<small>UNLESS OTHERWISE SPECIFIED: DIMENSIONS ARE IN MILLIMETERS ANGULAR TOLERANCE: ±1.0°</small>		TITLE	
		UTP CABLE	
DIMENSIONS	TOLERANCE	CHKD.	CONF.
0.00 TO 30.00mm	±0.10mm		
30.01 TO 80.00mm	±0.13mm	DR.	APPD.
80.01 TO 150.00mm	±0.15mm		
150.01mm	±0.20mm	PART NO.	
MATERIAL	MATERIAL	W47C6UYLXX	
FINISH	FINISH	SCALE	SHEET 1/2 UNIT MM SIZE A4 REV. A