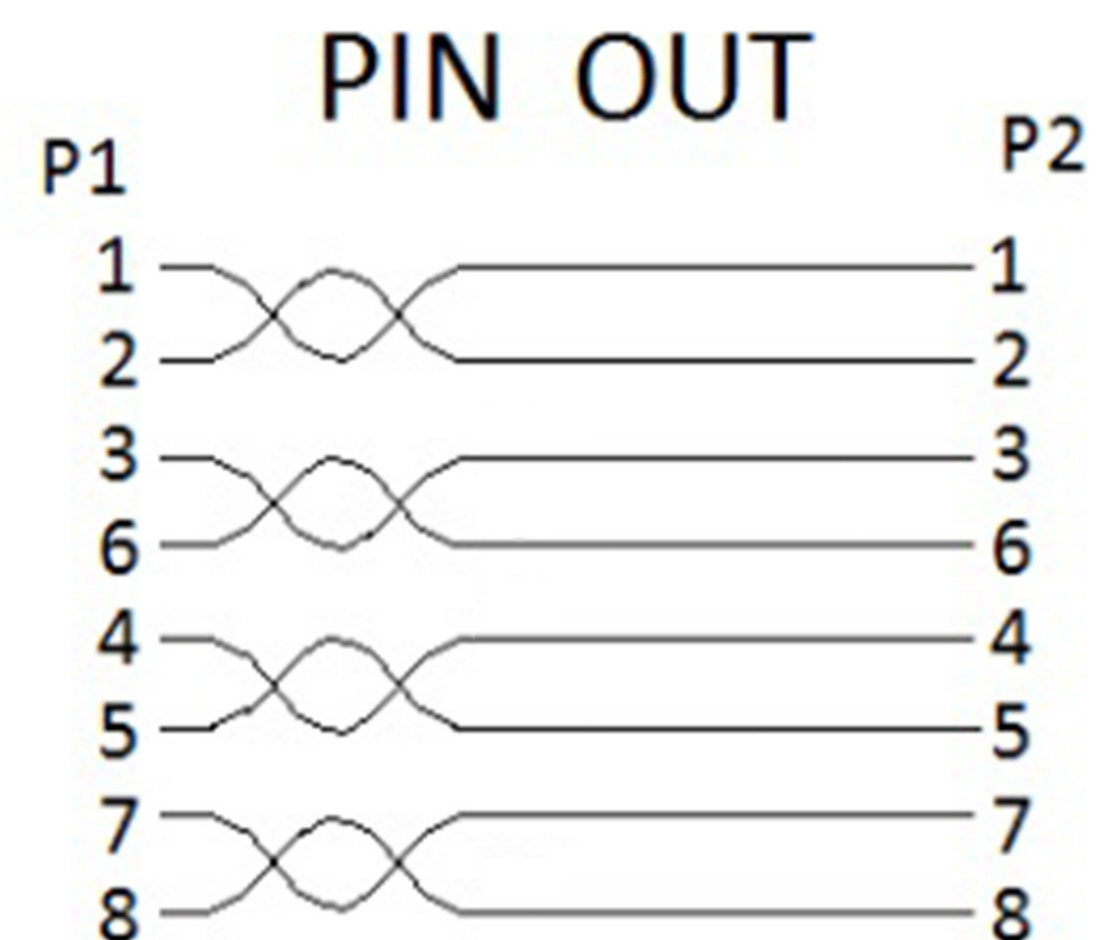
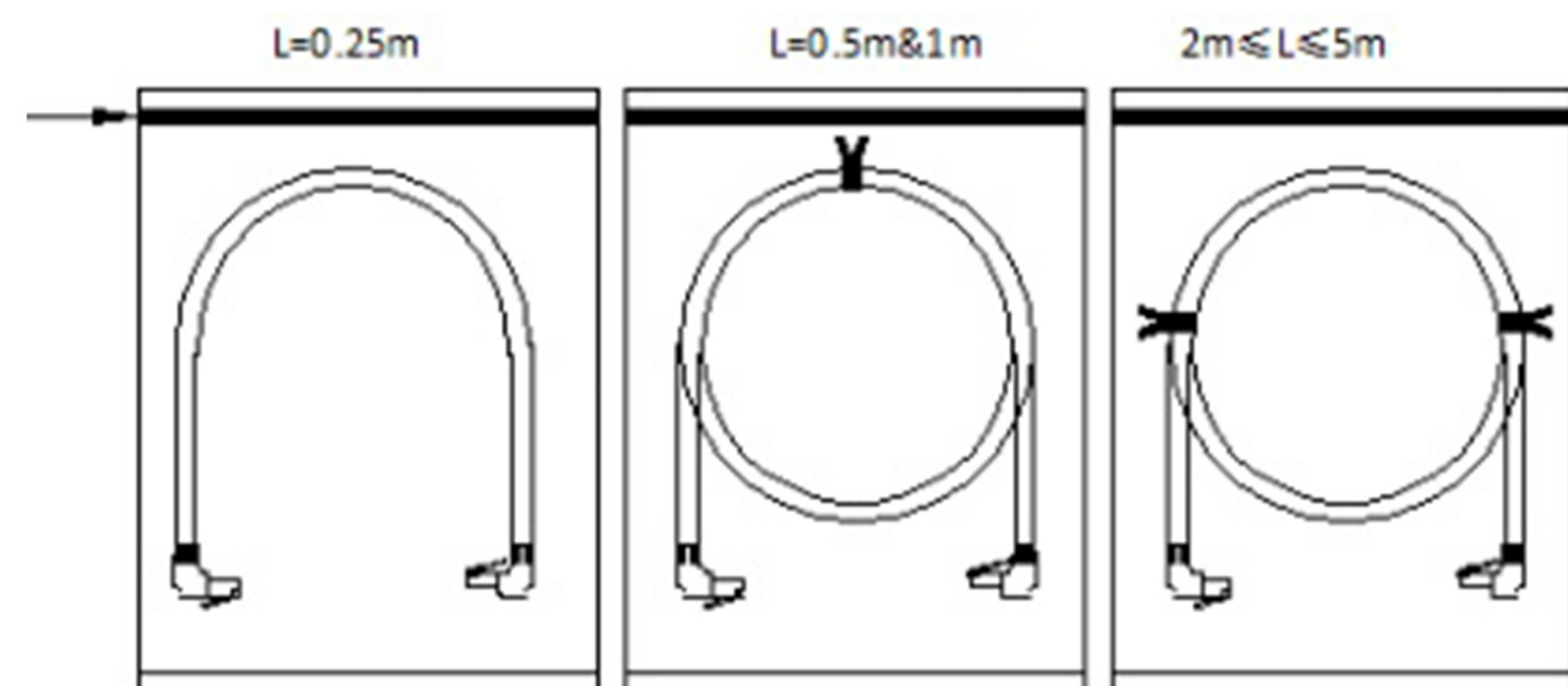
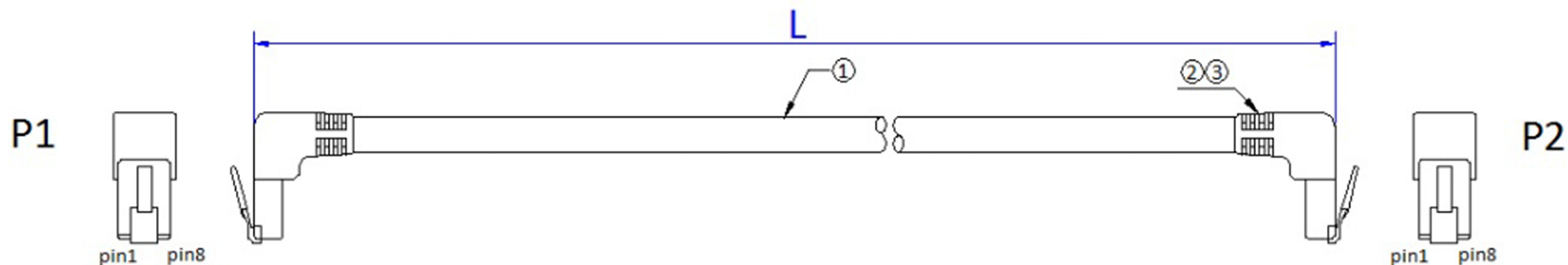


RoHS  
Compliant

VERSION	DESCRIPTION	DATE
1.0	New Release	2017/3/6



NO.		
1	0.25m	±15mm
2	0.5m	
3	1m	±30mm
4	2m	
5	3m	+50 -30 mm
6	5m	

100%

3	PVC 45P	
2	8P8C	
1	CAT.6 UTP 4P* 24AWG(7/0.20)	PVC ,O.D.=6.2±0.2mm
No.	Description	

TITLE		Cat.6 UTP			
UNIT	mm	P/N		DRAWN BY	HL
Customer P/N		***	CHECK BY	WXL	
SIZE	SCALE	PAGE	1/1	APPROVAL BY	CHH
A4	Free				

unless otherwise stated  
Tolerances  
mm XXX.XX ±0.3  
XX.XX ±0.2  
X.XX ±0.1  
angular ±2°