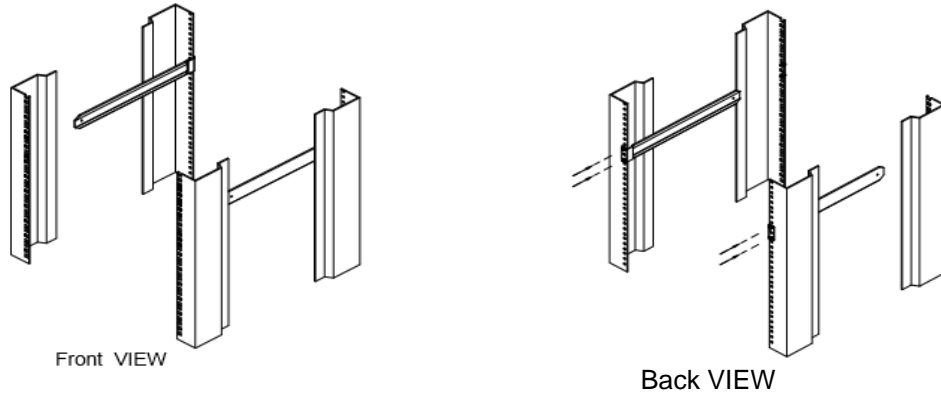


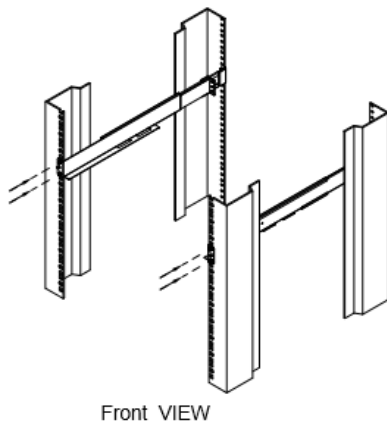
Step 1

Attach the two rear slide rails to the rear vertical mounting rails of the rack cabinet using standard M6 cage nuts and screws (4pcs).



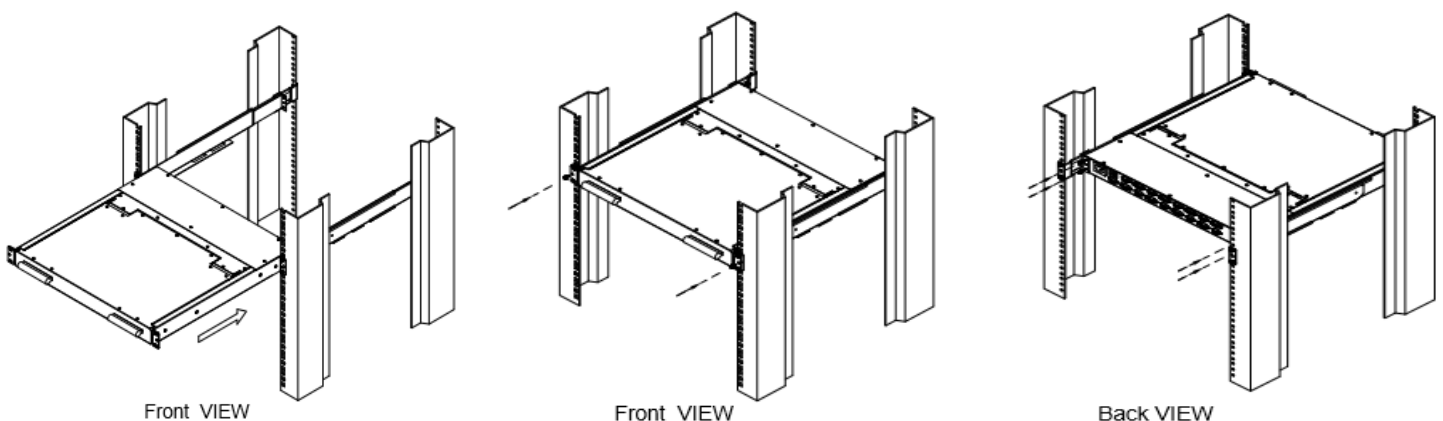
Step 2

Attach the two front slide rails to the front vertical mounting rails of the rack cabinet using standard M6 cage nuts and screws (4pcs).

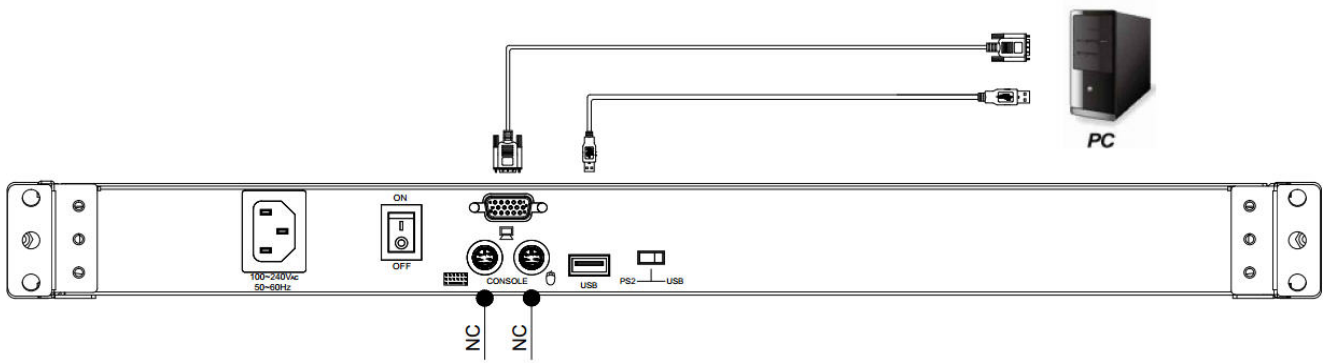


Step 3

Position the LCD console drawer so the two slide rails will hold on the main body of the LCD console drawer. Stable the mounting ears of LCD console drawer by #6-32 cage nuts and screws (front: 2pcs; rear: 4 pcs).



Connecting Guide



*NC: not connecting