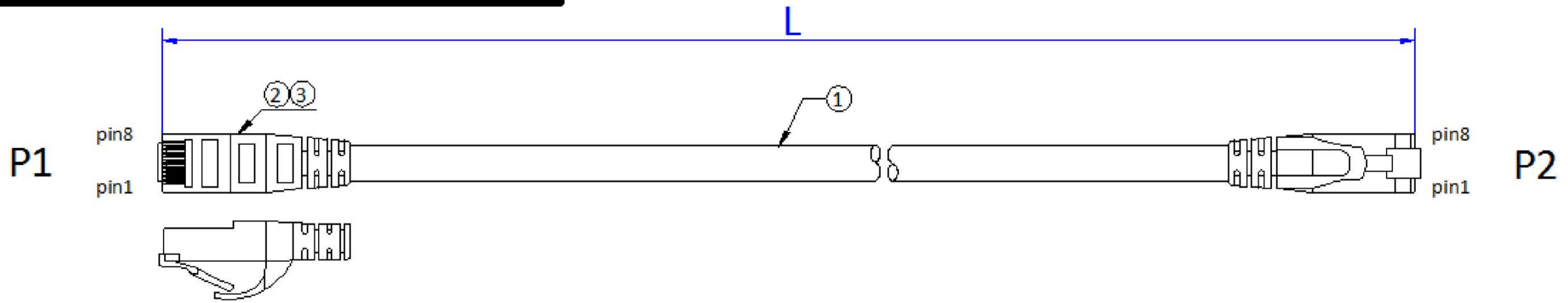


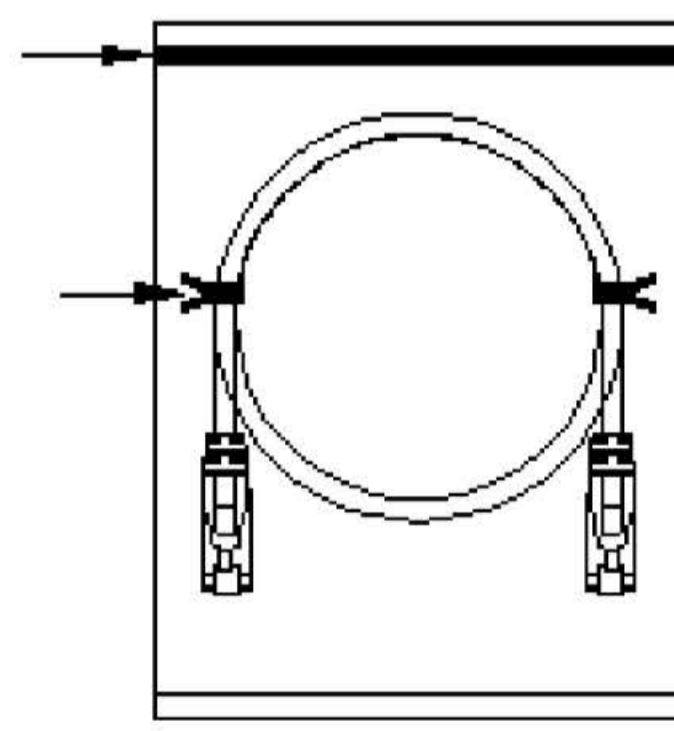
BUY ON

www.cablematic.com

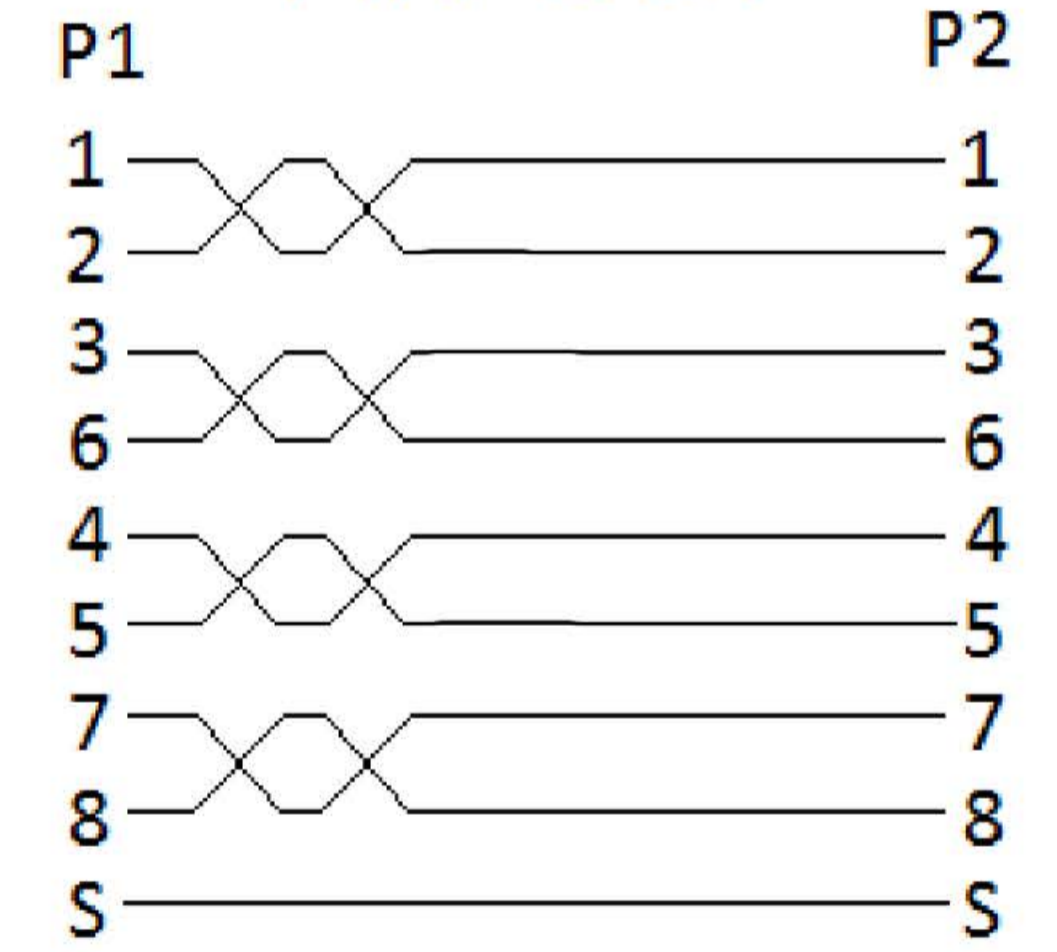
VERSION	DESCRIPTION	DATE
1.0	New Release	2018/6/11



$L < 1m$
 $L \geq 1m$



PIN OUT



NO.		
1	$0.25m \leq L < 1m$	$\pm 20mm$
2	$1m \leq L < 2m$	$\pm 30mm$
3	$3m \leq L \leq 10m$	$^{+50}_{-30}mm$

100%

3	PVC 45P		*Kg
2	8P8C		2pcs
1	Cat.6a STP 4P*24AWG(7/0.20)	PVC	OD=6.2±0.15mm
No.			

		Cat.6a STP RJ45		
mm		0060	HL	
unless otherwise stated Tolerances		FY-0060-005		
mm	angular			
xxx.xx ±0.3	±2			
xx.xx ±0.2				
x.xx ±0.1		A4	1/1	