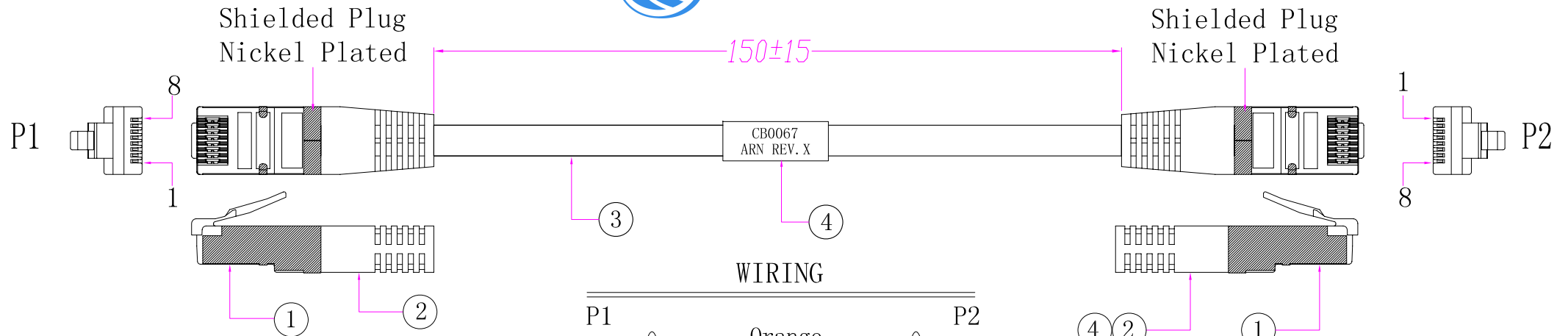
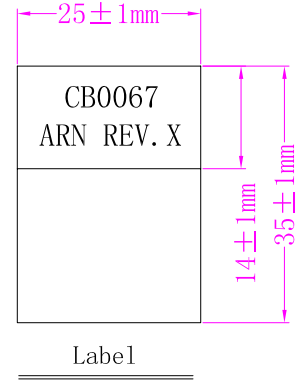
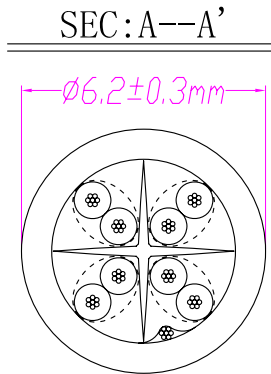
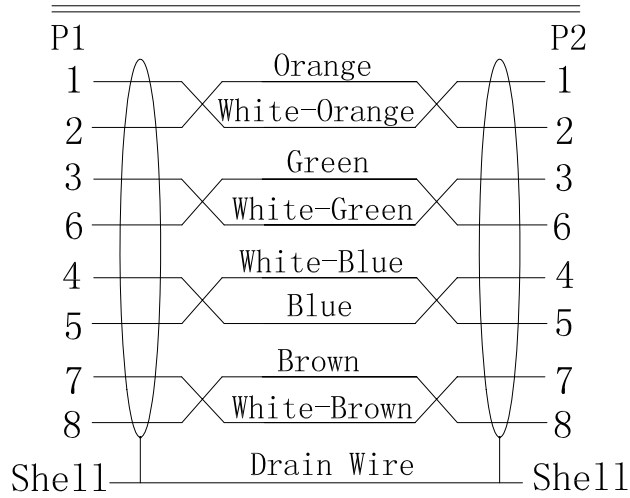


NOTE: ALL MATERIAL COMPLIANT RoHS 2.0 STANDARD



WIRING



Testing Requirements:  
1) 100% Open Short & Miss Wire Test.

|     |            |   |      |     |
|-----|------------|---|------|-----|
| ④   | Label      | Label 25*35mm   | 1    | PC  |
| ③   | Cable      | (24AWG 7/0.20±0.01mm + HD PE) *4P+Filler(Cross skeleton)<br>+Mylar+Drain(7/0.20)+Al Foil<br>Jacket: (PVC Color: Gray), OD: 6.2±0.3mm. | 1    | PC  |
| ②   | BOOT       | 60P PVC Color: Gray   | 10   | g   |
| ①   | Connector  | CAT6 8P8C Shielded Plug, Shell Nickel Plated, The Pin Gold Plated   | 2    | PCS |
| NO. | PARTS NAME | SPECIFICATION DESCRIPTION   | QT'Y | UN. |

|                                |                                     |
|--------------------------------|-------------------------------------|
| Drawing NO. QW/BST-DW-943-0324 |                                     |
| Title CAT6 FTP CABLE+Lable     |                                     |
| Customer                       | Customer P/N                        |
| Design                         | Item NO.: Revision A-0              |
| Check                          | Date 2018.03.07 Tolerance .XX(0.01) |
| Approved                       | Units mm 3DR  Page 1/1              |