

Sharkoon



VG7-W
ATX PC CASE

CASE VERSIONS



VG7-W RGB

(3x 120 mm Addressable RGB LED Fans)

VG7-W Blue

(3x 120 mm LED Fans)



VG7-W Red

(3x 120 mm LED Fans)

VG7-W Green

(3x 120 mm LED Fans)

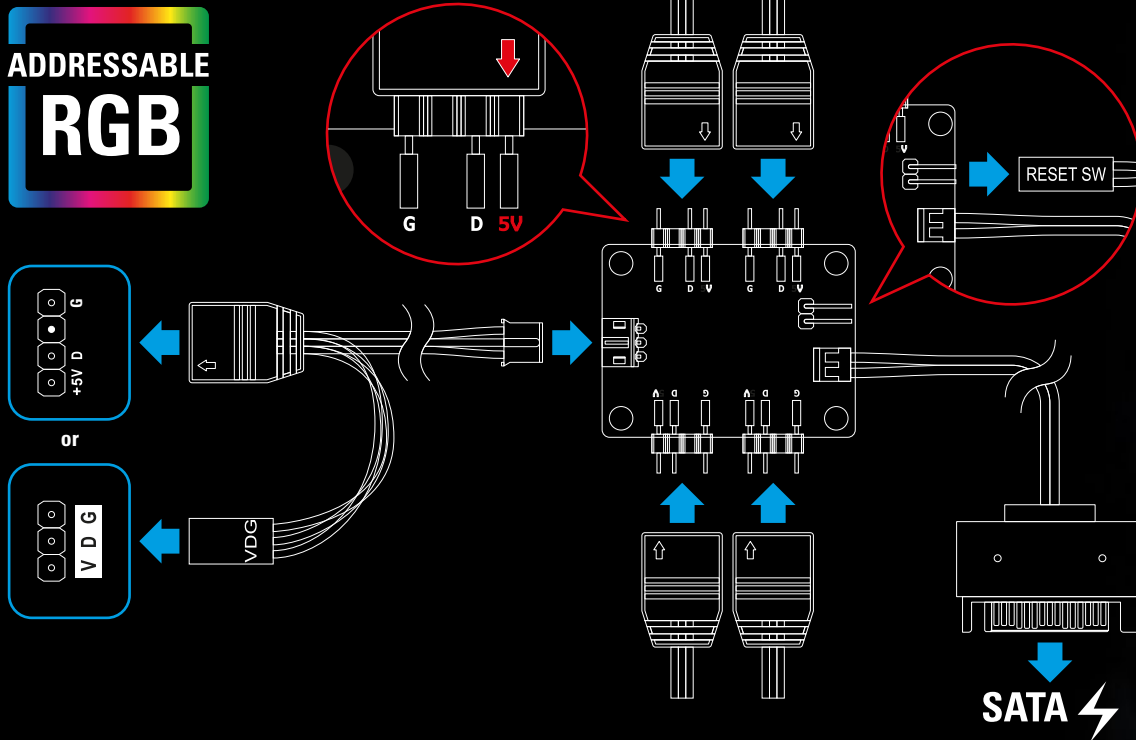
COMPACT CASE DESIGN



The VG7-W ATX Midi Tower combines a punchy look with a strong airflow. This is ensured by the enhanced air-intake through the mesh grille in the front panel, behind which are the two pre-installed 120 mm fans. In addition to the case cooling, and depending on the model, the fans also provide colored or even multi-colored highlights which can be admired through the front panel and the acrylic window on the side panel. Despite the compact design of the case, no compromises have been made on compatibility. Thus, large mainboards, power supplies and graphics cards will find room as well as a variety of hard drives. There is also a bay for optical drives.

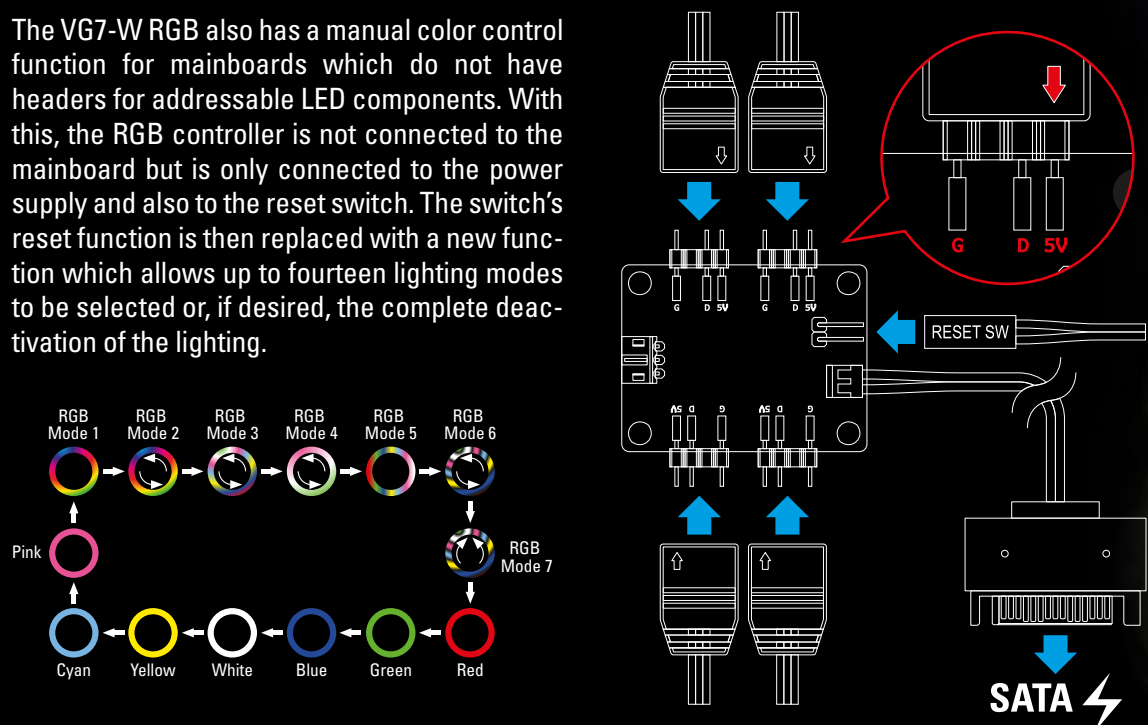
4-PORT ADDRESSABLE RGB CONTROLLER

The VG7-W RGB comes with an RGB controller. This allows up to four addressable LED components (such as suitable fans or strips) to be controlled and synchronized via the mainboard software. The controller is connected to the power supply via a SATA connector to either a mainboard 4-pin or a 3-pin header for addressable LEDs with the configuration: 5V-D-coded-G or V-D-G.



MANUAL COLOR CONTROL

The VG7-W RGB also has a manual color control function for mainboards which do not have headers for addressable LED components. With this, the RGB controller is not connected to the mainboard but is only connected to the power supply and also to the reset switch. The switch's reset function is then replaced with a new function which allows up to fourteen lighting modes to be selected or, if desired, the complete deactivation of the lighting.



RGB CONNECTION COMPATIBILITY

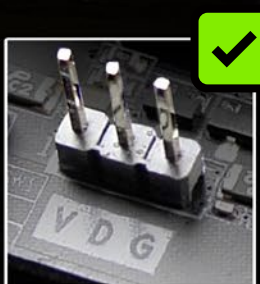


Sharkoon products marked with the "ADDRESSABLE RGB" logo are compatible with mainboards which have headers for addressable RGB LED fans and strips. The headers should have the pin configuration 5V-D-coded-G and 5V-D-G. Examples of these RGB connections from the most important mainboard manufacturers are shown below.

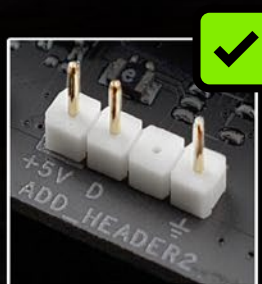
The RGB pin configuration is independent of manufacturer. However, the naming and marking of these connections may vary between manufacturers. For further information concerning compatibility, refer to the manual of your mainboard, or visit the manufacturer's website.



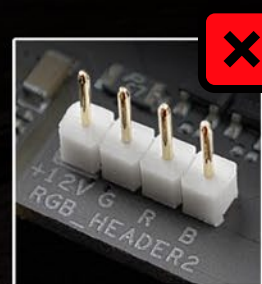
MSI



GIGABYTE



ASUS



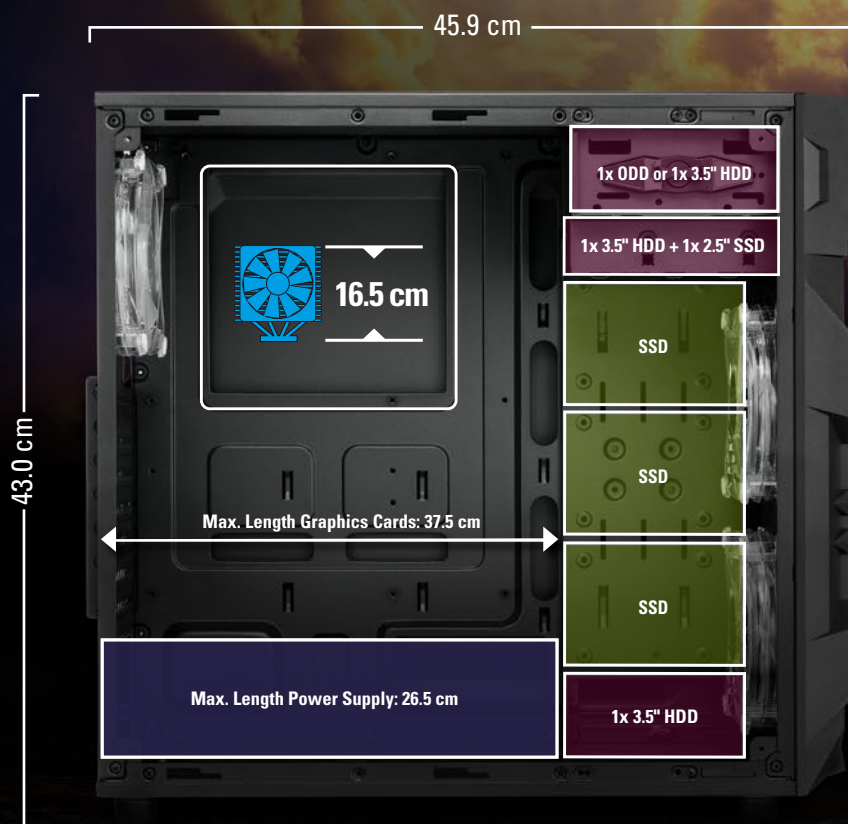
ASUS



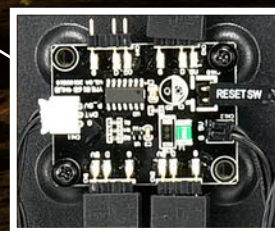
The VG7-W RGB is certified for Asus Aura Sync, MSI Mystic Light Sync, Gigabyte Fusion and most other major market brands with matching pin layout, and is thus easily incorporated into existing systems.



ENOUGH SPACE FOR ALL COMPONENTS



Apart from a drive bay for an optical drive, the VG7-W offers sufficient mounting options for data storage: Three 2.5" drives have space on the inner side panel behind the front fans. In the drive cage under the optical drive bay, a 3.5" and a 2.5" drive can be mounted. There is space for another 3.5" drive on the bottom panel below the fans. If an optical drive is not needed, its drive bay can be used for another 3.5" drive.



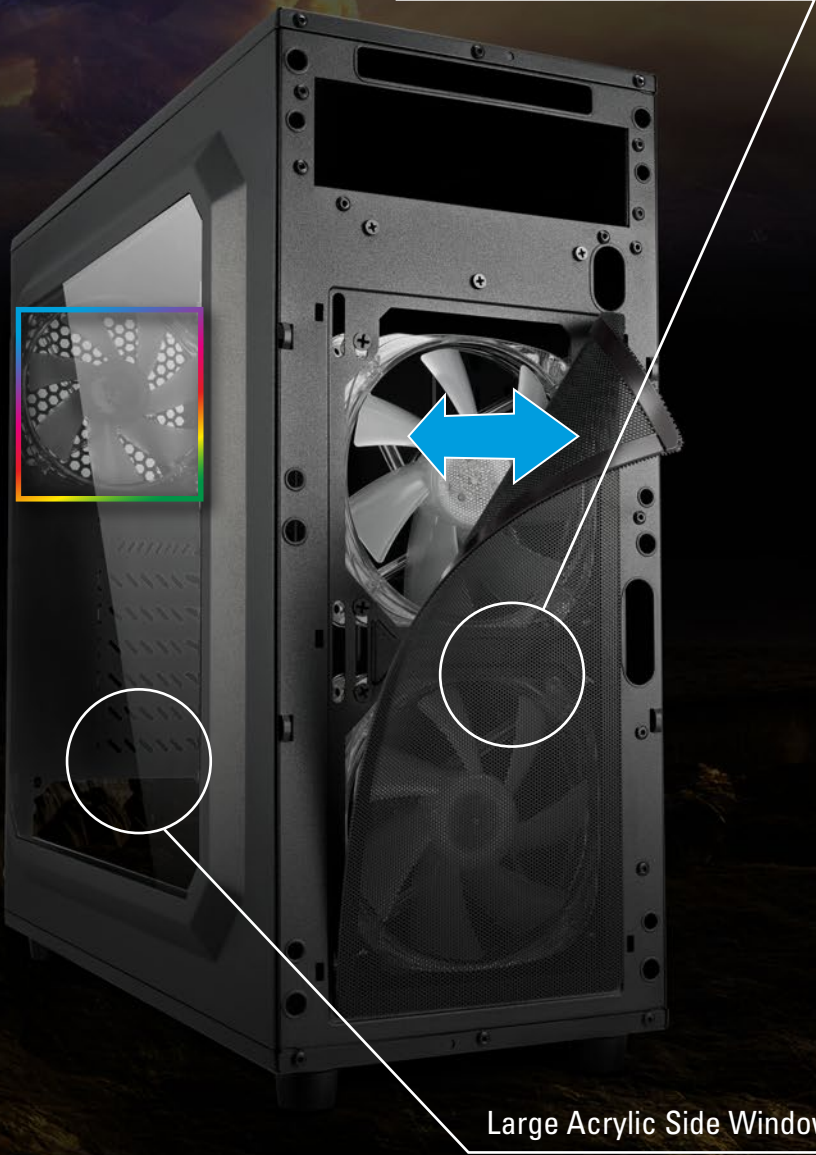
RGB Version
4-Port Addressable
RGB Controller

Practical Cable
Pass-Throughs

TIDY EYE-CATCHER

3x
120 mm
Addressable
RGB LED Fans
or Single-Color
LED Fans

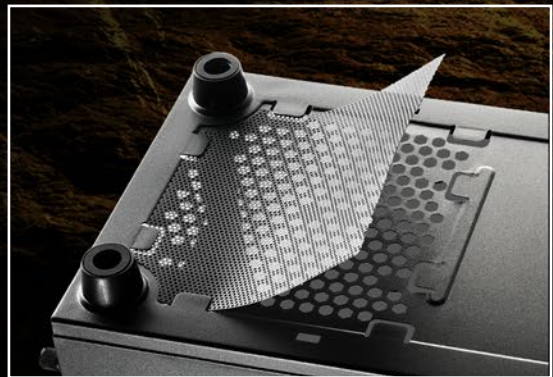
Removable, Magnetic Dust Filter
in Front of Cooling Fans



Large Acrylic Side Window



Easy Tool-Free Devices Installation
for Drive



Removable Dust Filter
on the Bottom Panel

SPECIFICATIONS

VG7-W ATX PC CASE

General:

■ Form Factor:	ATX
■ Expansion Slots:	6
■ Interior Painting:	✓
■ Cable Management System:	✓
■ Side Panel:	Acrylic
■ Chassis Color:	Black
■ Available Versions:	RGB, Red, Green, Blue
■ Weight:	3.7 kg
■ Dimensions (L x W x H):	45.9 x 20.0 x 43.0 cm

I/O:

■ USB 3.0 (Front):	2
■ Audio (Front):	✓

Max. Drive Bays:

■ 5.25":	1
■ 3.5":	3
■ 2.5":	4

Fan Configuration:

■ Front Panel:	2x 120 mm Addressable RGB LED Fans (VG7-W RGB) 2x 120 mm LED Fans (VG7-W Red/ Green/ Blue)
■ Rear Panel:	1x 120 mm Addressable RGB LED Fan (VG7-W RGB) 1x 120 mm LED Fan (VG7-W Red/ Green/ Blue)

Compatibility:

■ Mainboard:	Mini-ITX, Micro-ATX, ATX
■ Max. Length Graphics Cards:	37.5 cm
■ Max. Height CPU Cooler:	16.5 cm
■ Max. Length Power Supply:	26.5 cm

Package Contents: VG7-W, Accessory Set, Manual

Shipment Box

Packing Unit: 1
Dimensions (L x W x H):
470 x 230 x 505 mm
Weight: 4.5 kg
Customs Tariff No.: 84733080
Country of Origin: China



VG7-W RGB



VG7-W Blue



VG7-W Red



VG7-W Green

