



## Dia.200mm Red and Static Green Pedestrian LED Traffic Light



**Model:**RX200-3-25A

**Keyword:** Red &Static Green Pedestrian Traffic Light , Red &Static Green Pedestrian Traffic Signal Light

**Application:**Red &Static Green Pedestrian Traffic Light is widely used in Railway,At Cross road lot to indicate whether Pedestrian can go or not.

**Strengths:** Save energy worldwide and thus save costs by offering a series of energy-saving and efficient LED traffic lights with first-rate quality yet affordable price.

### Technical Parameters:

Color	LED Q.ty	Light Intensity	Wave Length	Power Factor	Viewing Angle	Power	Working Voltage	Housing Material
RED	66pcs	≥330cd	625±5nm	>0.9	30°	≤4W	12/24VDC	PC,UV Resistant
GREEN	63pcs	≥504cd	505±5nm			≤6W		

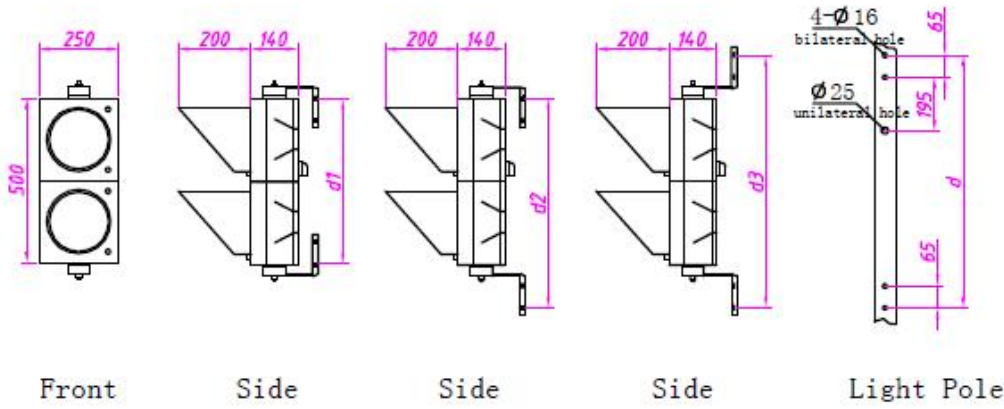
### Packing Info:

Carton Size	Q'TY	GW	NW	Wrapper	Volume(CBM)
66*28*21cm	1pcs/carton	7.8kg	4.5kg	K=K Carton	0.04

### Packing List:

Part name	Light	L Bracket	Sun Visor	M4x10 Screw	M4x20 Screw	Wiring Box And Gasket	Using Manual	Certificate
Q'ty.(pcs)	1	2	2	8	4	1	1	1

### Installation Sketch:



d	size
d1	480
d2	645
d3	810

unit:mm

### Connection Sketch:

