

## ANTENNA LIGHTNING PROTECTOR

### Product Description

This product apply to the lightning surge protection of antenna system: such as satellite antenna, microwave, cable TV lines, etc.

- ◆ Large rated discharge current and fast response time.
- ◆ Over-current, over voltage and clamp triple protection design.
- ◆ Adopt standard connectors, with advantage of small size, light weight, easy installation and simple maintenance.
- ◆ Matching impedance, interface form and frequency can be chosen arbitrary.
- ◆ It is used for the lightning protection of the sending and receiving system, such as wireless access system, mobile communications, cable TV and transformer station electronic equipment.



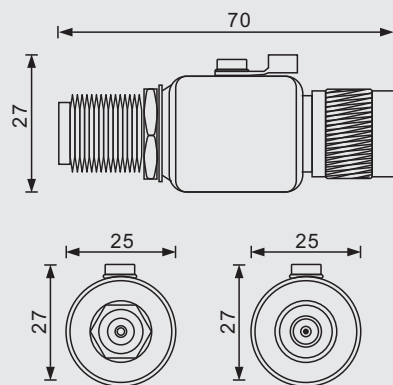
### Technology Parameters

Model	KLF-X-N
Working Voltage	90V
Nominal Discharge Current(8/20μs) (In)	5KA
Max. Discharge Current (8/20μs) (Imax.)	10KA
Voltage Protection Level(U <sub>p</sub> )	≤600V
Frequency range	0~3GHz
Insertion Loss	<0.2dB
Standing-wave ratio	≤1.2
Maximum output power	300W
Matching impedance	50Ω
Interface Model	N head
Working Environment	Temperature -40°C~+80°C; Relative humidity<95%
Dimension(L×W×H)	70×27×25mm
Weight	0.13kg

### Product Installation

1. The SPD is in series installed between antenna channel and the device protected, the output terminal is connected with the device protected.
2. The ground wire of SPD should be reliability connected with the ground wire of lightning protection system.
3. Grounding of lightning protection should comply with the lightning protection standard; grounding wire should be as thick and short as possible, ground resistance should be less than 4Ω.
4. When system deteriorate, you should check the SPD after departing, if SPD destroyed, you should replace it.

### Dimension Picture



Unit: mm

### Installation Diagram

