

BUY ON

[www.cablematic.com](http://www.cablematic.com)

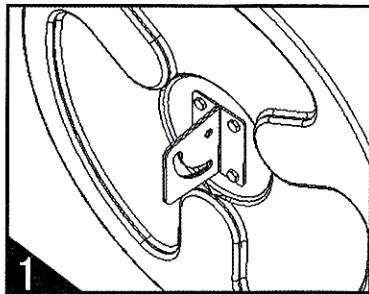
### Warm Suggestion

Before installation, the mirror surface is protected by a layer of film. Please remove it when you are sure that all of the parts have been installed well!

### Installation Steps

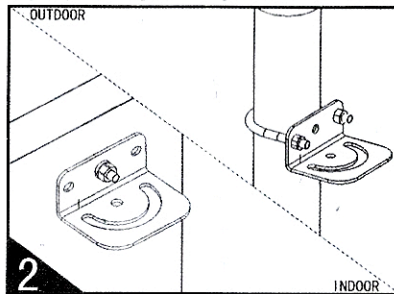
#### Step 1:

Fix the Right and Left L'Parts to the back of mirror with bolts, assure that the arc hole is down.



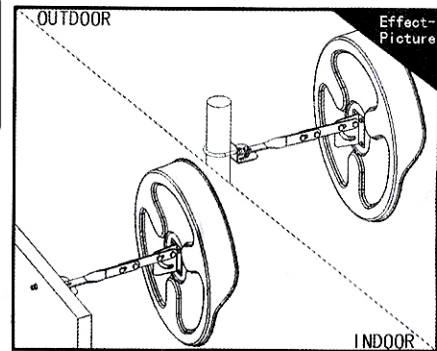
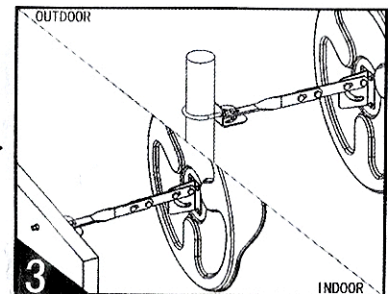
#### Step 2:

**Indoor:** Drill a proper positioned hole in the wall for installation, and connect the Wall Part to the wall with M8 Dilatant Bolt, then adjust the position and fasten them. /**Outdoor:** Use U' Bolt to connect the Wall Part to the pole, then adjust the position and fasten them.



#### Step 3:

Join the Folded Bracket, Flat Bracket, Wall Part and L'Parts together with M8 Bolts, adjust the angle and position, then fasten them.



### Caution

- (1) **Periodical clean:** After a term the mirror must be cleaned carefully by a soft cloth damped with water, then dry it with cotton or soft tissue; The PC mirror should be cleaned by water and then air-dry it spontaneously.
- (2) **Precaution:** Prohibit using any escharotic or ammoniate on the mirror surface.
- (3) **The final product is standard.**