

ND120 ND160 Electric Turntable Instructions



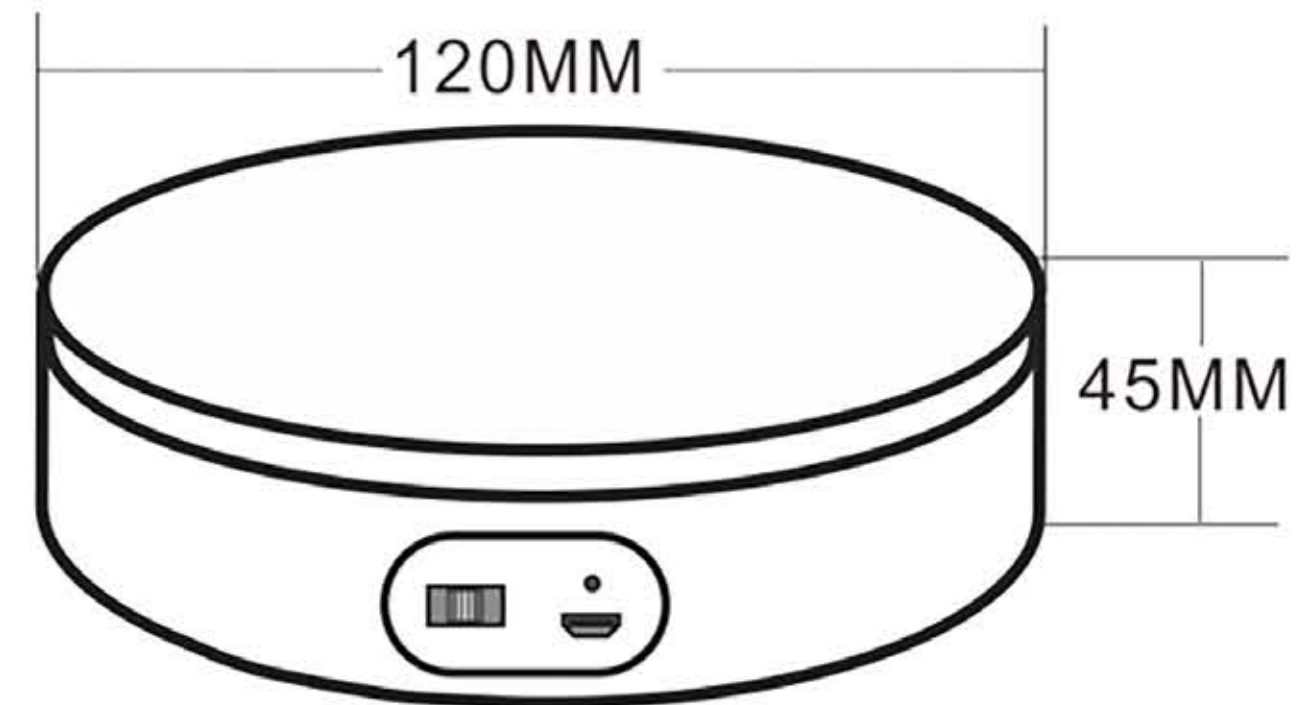
Outstanding
intelligent hardware service provider

Thank you for using _____ product. For your own safety, please read this user manual carefully before installing it.

Product Feature

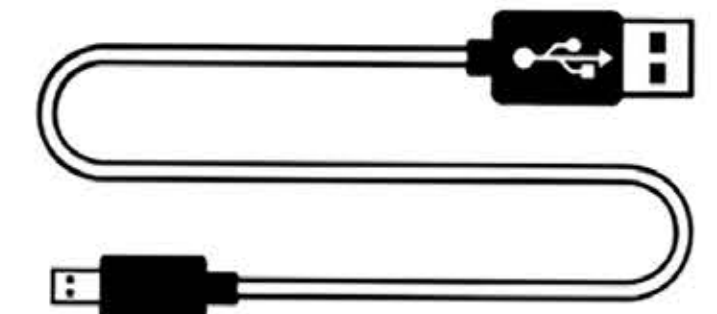
360-Degree rotating display product or for product photography shots or video .

Adjustable direction by switch on turntable housing.



ND120

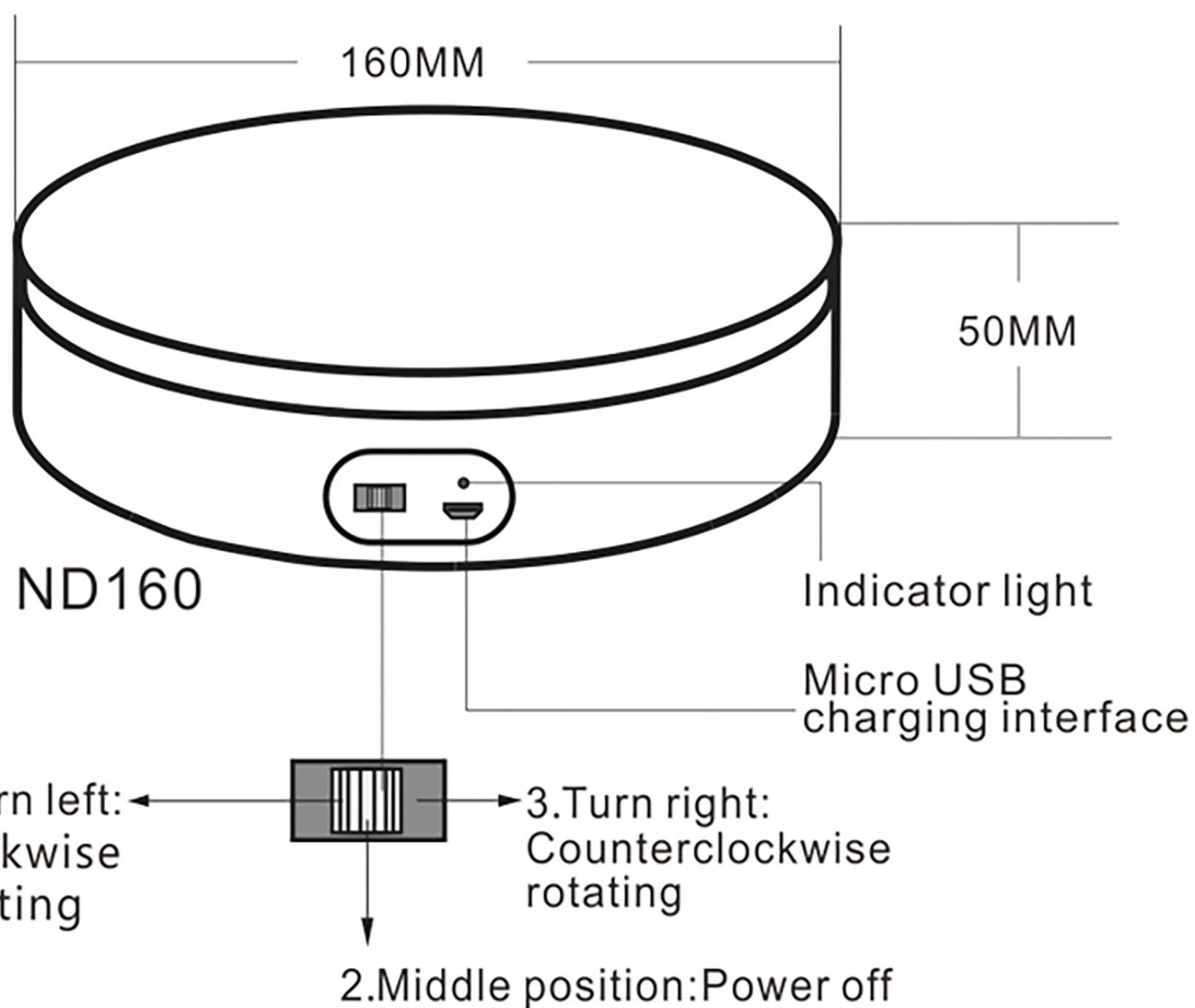
Standard configuration	
Turntable	1 piece
USB Cable	1 piece



Specifications



Material	Plastic	Speed	4RPM
Color	White/Black	Control	Switch
Max load capacity	2KG	Voltage	DC5V 0.5A
Rotating direction	Counterclockwise; Clockwise.		



Notes

- Damages caused by the disregard of this user manual are not subject to warranty. The dealer will not be responsible for any resulting defects or problems.
- Do not overload on the turntable.
- The ambient temperature must always be between -5°C to $+45^{\circ}\text{C}$. Use under indoor dry condition.
- Never touch the device with wet hands, as it could lead to mortal electrical shock or injury.
- Any unauthorized modifications on the device is forbidden due to safety consideration.
- Normal noise value within 55 decibels during product operation.

Maintenance and repair

- Disconnect from mains before starting maintenance operation.
- We recommend a frequent cleaning of the device. Please use a soft lint-free dry cloth. Never use alcohol or solvents.
- Maintenance should be carried out by qualified professionals only.
- Please use the original packing for transportation in case the turntable needs maintenance by manufacturer.
- Should you need any spare parts, please contact us.



Official WeChat Account



Home page

Warranty Card

User's name:

Tel:

Add:

Item No:

Shop's name :

Purchase time:

Maintenance record:

Please keep this card properly

Patented product , Imitation is prohibited.

