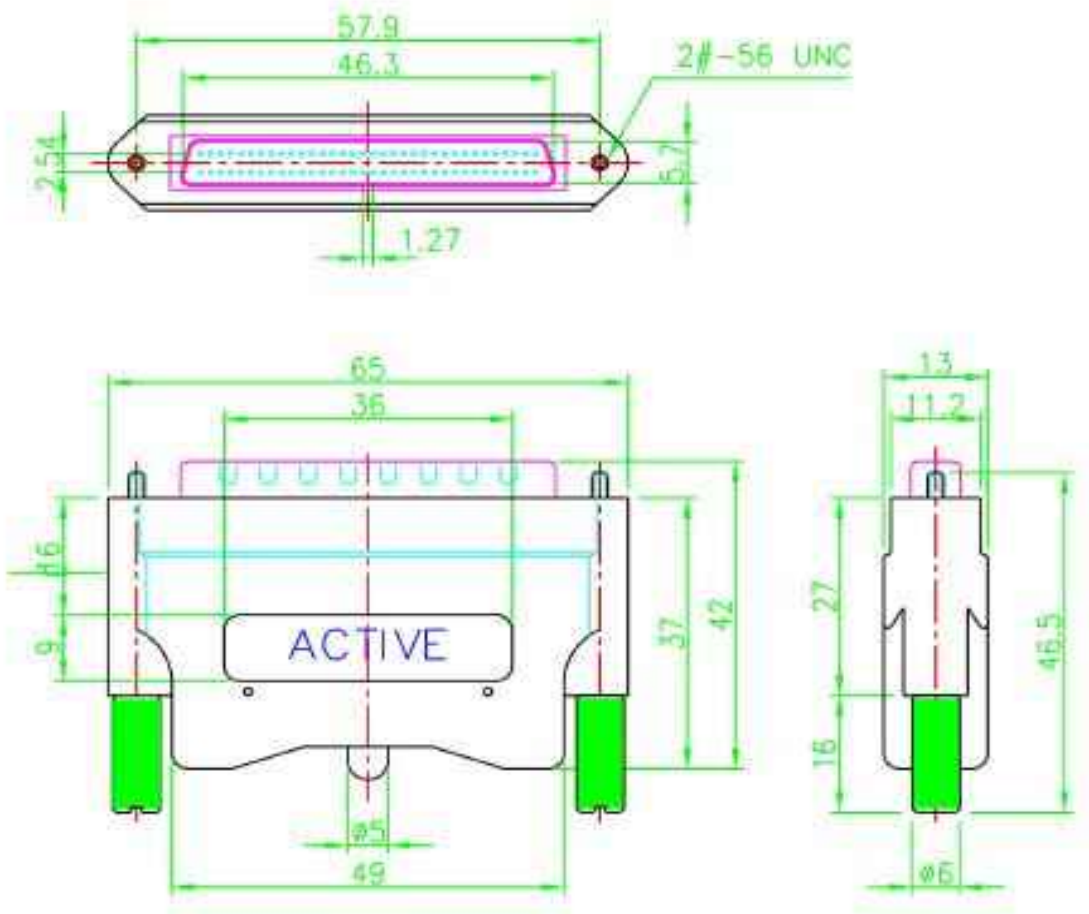
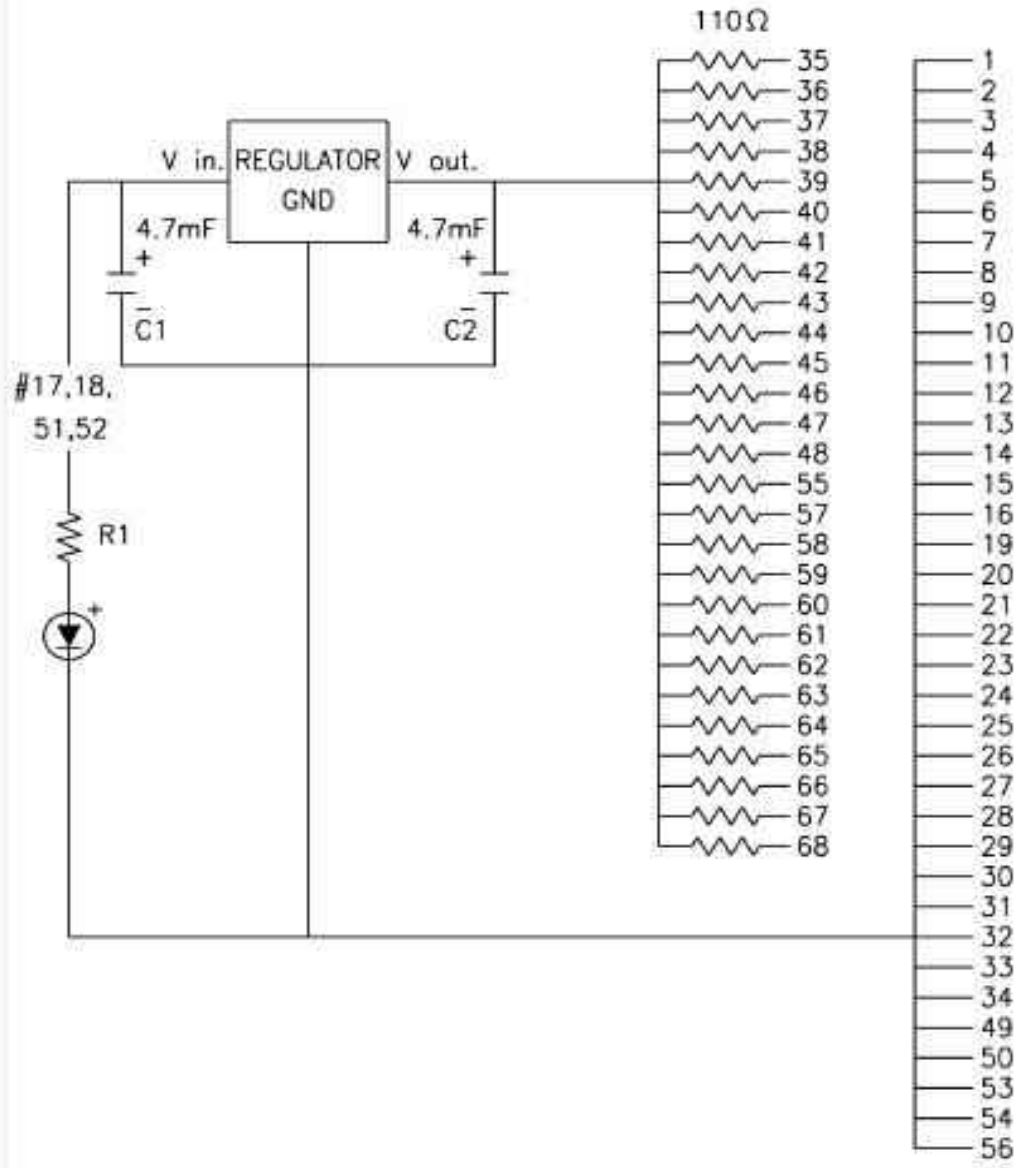


CONNECTION



TOLERANCES

UNIT mm SCALE 1/1

PROJECTION

DWN Mark 02.16.06

PRODUCT EXTERNAL HP MD68M SINGLE -END ACTIVE TERMINATOR WITH LED

PART NO MD68MT-MATL-RH

SHEET 1/1

DWC NO. REV. A

NO.	DESCRIPTION	Q'TY	CHRD.	DWC NO.	REV.
					A