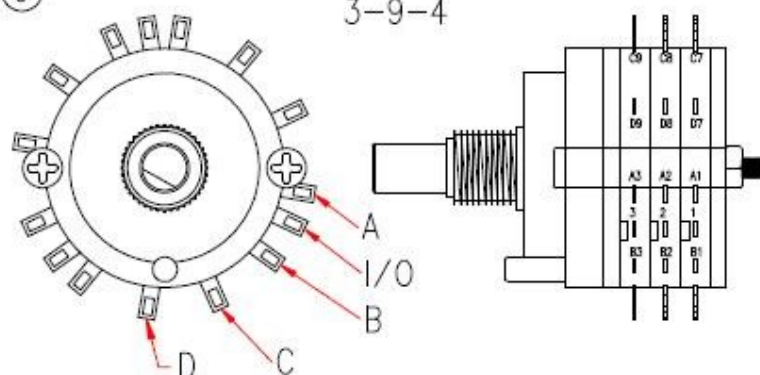
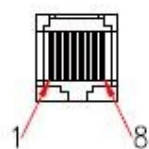


RJ45 F



6071

RJ45 F  
(I/O)

SWITCH

RJ45 F  
A&B&C&D

1	_____	1	_____	1
2	_____	2	_____	2
3	_____	3	_____	3
4	_____	4	_____	4
5	_____	5	_____	5
6	_____	6	_____	6
7	_____	7	_____	7
8	_____	8	_____	8

6	PLASTO-VISCO-ELASTIC BODY	4	M562
5	SCREW 3*6PWB	4	M805
4	METAL CASE, THICKNESS 0.8mm	1set	M315
3	UL1061 26AWG INSULATOR, LENGTH 150mm	40	M541
	MAIN HEART 3-9-4	1	M94
	SCREW 4*12.5mm WITH PAD	1set	M94
2	KNOB FOR A, B, C, D, SWITCH	1	M94
	STATOR	1	M348
	PCB: RJ-45	1	M590
1	HEX-NUT WITH SCREW CAP 3*6mm	2set	M95
	RJ45 FEMALE, GOLD FLASH ON CONTACTS	5	M22
No.	DESCRIPTION	Q'TY	Supplier

APPROVED

CHECKED

DRAWING

TIAN

SUSAN

DATE

05/FEB/07

ITEM NO.

6071

Cable Length  
Unless Other Spec.

Tolerances:

0 ~200mm	±10mm
201~1000mm	±20mm
1001 ~1500mm	±25mm
1501~2100mm	±30mm
2100mm↑	±40mm

UNIT:mm

