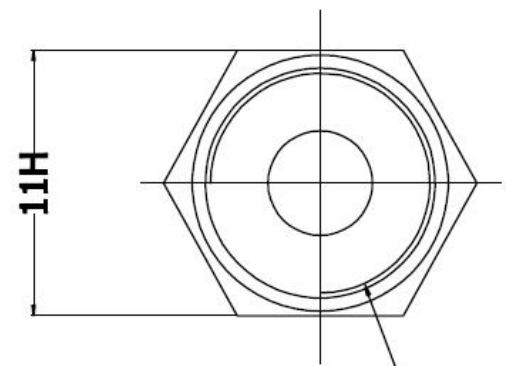
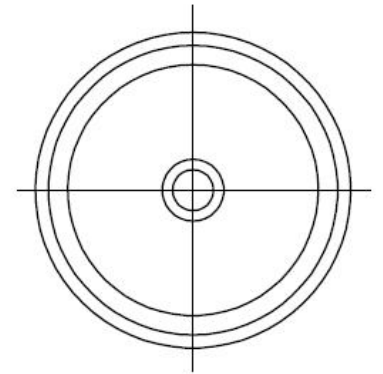


F(M) TO PAL(M)-RG6/U-1.5M&2.5M&5M



3/8-32UNEF



P/NO.:		GFM-GPM		TF05 / 06 / 07						
CUSTOMER:										
CUST. P/N.:		GFM-GPM								
APP.	Eric	UNITS	m/m							
CHK.	Carmen	DATE	2008/12/24	DES.: F MALE TO PAL MALE RG6/U						
VER.NO.	DESCRIPTION	DATE	DRAW.	Christina	SHEET	1/1	DRAW NO.:	GFM-GPM	VER	1.0

1.0	NEW DRAWING	2008/12/24
VER.NO.	DESCRIPTION	DATE