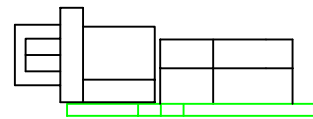
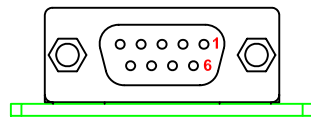
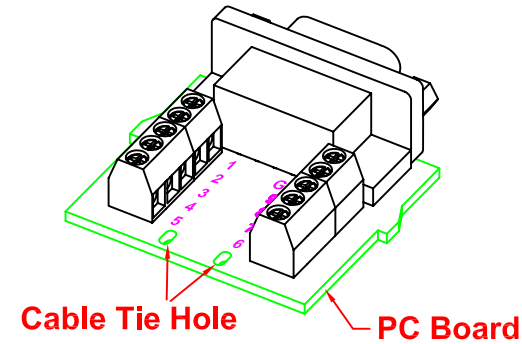
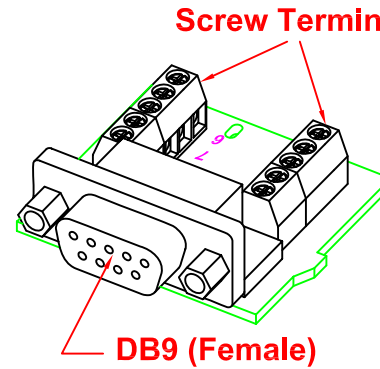
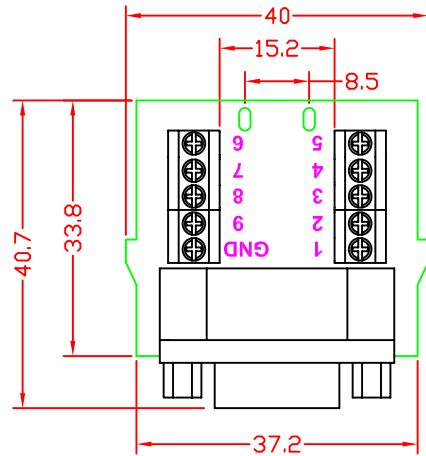


BUY ON
www.cablematic.com

RevNo	Revision note	Rev-By	RevDate	Signature	Checked



PIN OUT
DB9 (Female) Terminal Block

1	1
2	2
3	3
4	4
5	5
6	6
7	7
8	8
9	9
Shielded	GND

PCB Color : Green
PCB Thickness : 1.6mm
PCB Material : UL94V-0

ITEM NO.					
PART NO.					
DESIGNED BY ALEX	DATE	130312	UNIT	MM	
	SCALE	1:1	VER.	1	
NO.		Checked by			
APPR:		Approved by -date			