








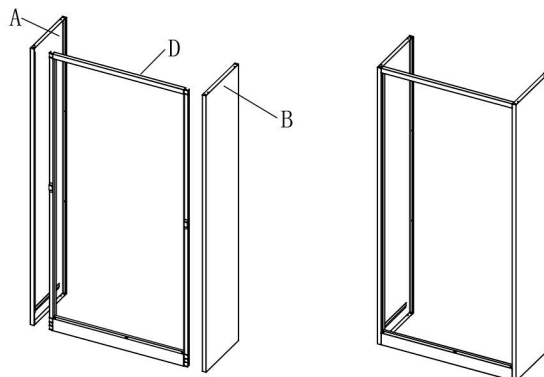


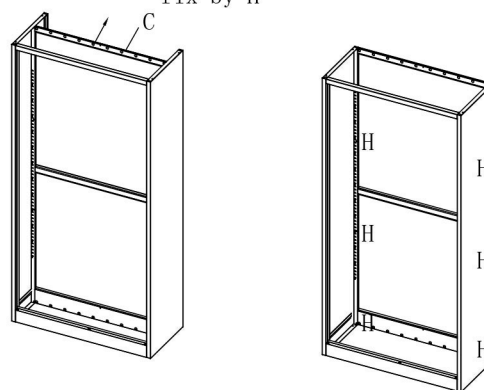
ASSEMBLE INSTRUCTION
FC-F18

Part ID	Description	Illustration	Qty
A	Left Side Panel		1
B	Right Side Panel		1
C	Rear Wall		1
D	Front Piece		1
E	Top		1
F	Bottom		1
G	Shelf		4
H	Screw		13
I	Shelf Support		16
J			

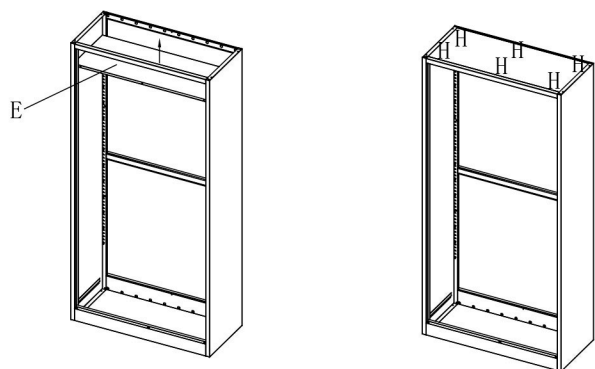
1. Link A, B with D



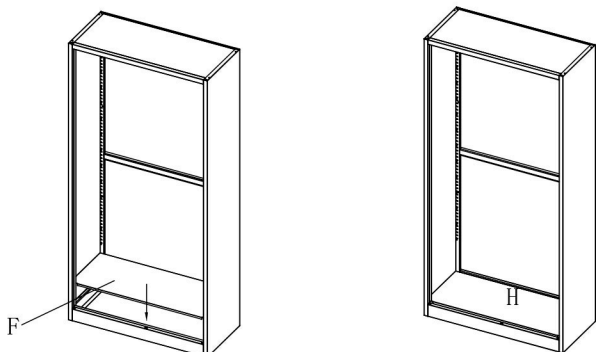
2. Link C with A, B
fix by H



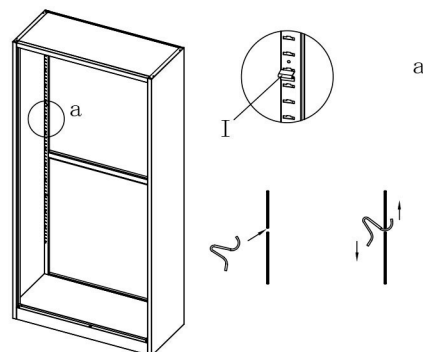
3. Install E into body of cabinet
fix by H



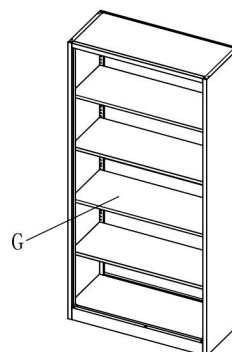
4. Install F into body of cabinet
fix by H



5. Install I into body of cabinet,
as shown in the following figure



6. Install G into body of cabinet



BUY ON
www.cablematic.com