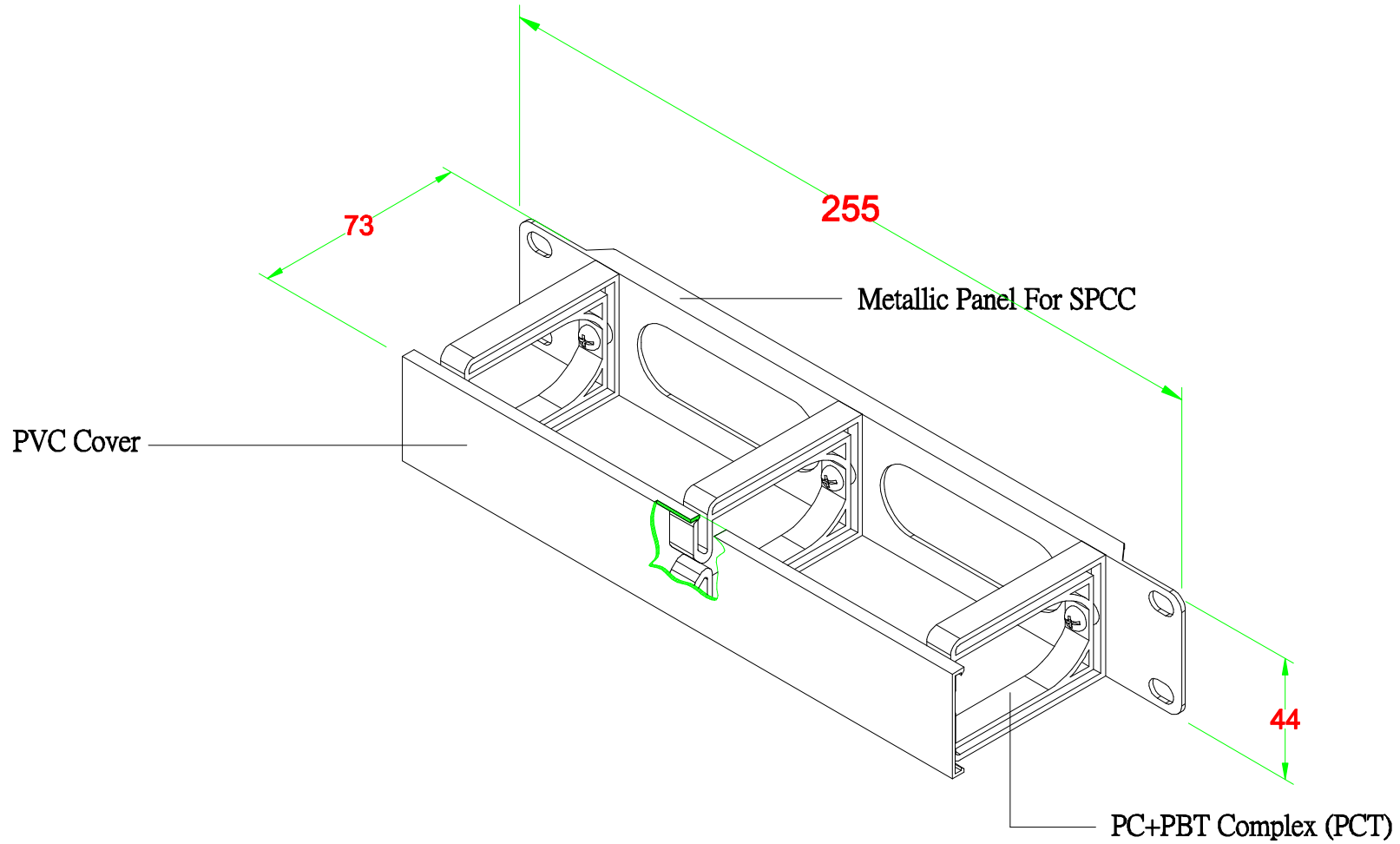
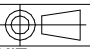


10"-1U Cable Manager



| | | | |
|---|---------------|------------------|-----------------|
| DRAW NO: | | ITEM NO: | PLMN-090 |
|  | APPR | CUSTOMER: | |
| UNIT: m/m | CHECK | DATE: | |
| SCALE: | DESIGN | | |