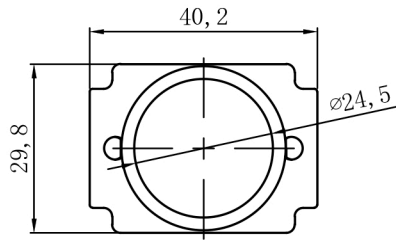
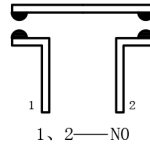


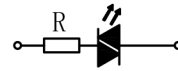
UNIT: mm



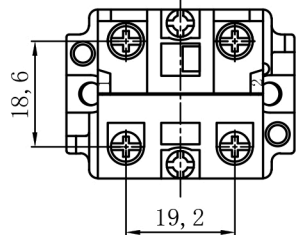
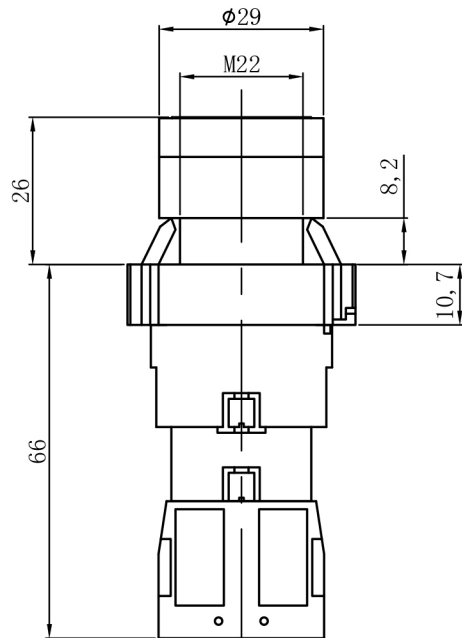
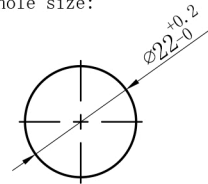
Switch structure description:



Lamp bead equivalent circuit:



Mounting hole size:



Technical requirements:

1. The surface is smooth and smooth without burr;
2. Clear handwriting of parameters/batches without any dislocation;
3. Rated voltage:10A U_i : 400V;
4. Working environment temperature: $-25^{\circ}\text{C} \sim +65^{\circ}\text{C}$;
5. Action form:self-locking ;
6. Movement stroke: about4.6mm;
7. Connection form: wire;
8. Tightening torque: 5-14nm;
9. Switch combination:1NO;
10. Unmarked tolerance shall be in accordance with GB/T 1804-f class.
11. Lamp bead parameters: rated voltage :6V/12V/24V/36V;110V/220V;
Rated current: $\leq 20\text{mA}$
12. Color: red/green/yellow/orange/blue/white
13. Led life: 50000 hours.

Performance requirements:

1. $\leq 50\text{m}\Omega$;
Contact resistance: $\leq 50\text{m}\Omega$.
2. $\geq 100\text{M}\Omega$;
The insulation resistance: $\geq 100\text{M}\Omega$.
3. AC2500V, 1min,
Electrical resistance: AC2500V, 1min, no flicker and breakdown;
4. Life: electrical part: operate 50,000 times.
under rated load without any abnormality.
Mechanical part: no abnormal movement for 1000,000times.