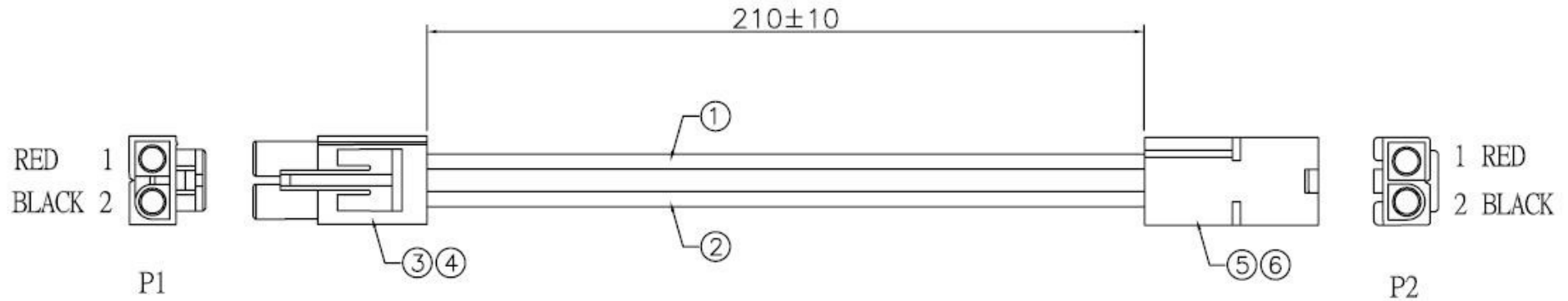


Rev	Modification Content	Date	Validate
A	the First Edition	2007-11-22	Cindy

**ROHS**



測試要求：

1. 成品需做100%電氣測試,不得有任何斷路/短路,錯位,電器閃爍.
2. 絕緣&導通阻抗:5M Ω /Min& 5 Ω /Max .
3. 測試電壓：DC 300V.

Pin Assignment:

P1            P2

1 — RED — 1

2 — BLACK — 2

6	Terminal	SH2011T 2.0mm MALE TERMINAL	2 pcs
5	Housing	SH2011H-2P 空接2.0 2P FEMALE HOUSING	1 pcs
4	Terminal	SH2012T 2.0mm FEMALE TERMINAL	2 pcs
3	Housing	SH2012H-2P 空接2.0 2P MALE HOUSING	1 pcs
2	Cable	UL 1015 16AWG WIRE:BLACK	235mm
1	Cable	UL 1015 16AWG WIRE:RED	235mm
NO.	P/N	DESCRIPTION	QTY

P/N	From Large Male Tamiya to Mini Female Tamiya L:21CM		
Item	HJ-141-071121-15		
Drawn By	Cindy	Customer NO.	NO      N
Audited By			Unit : mm
Date	2007-11-22	Rev. : 1.00	ME