

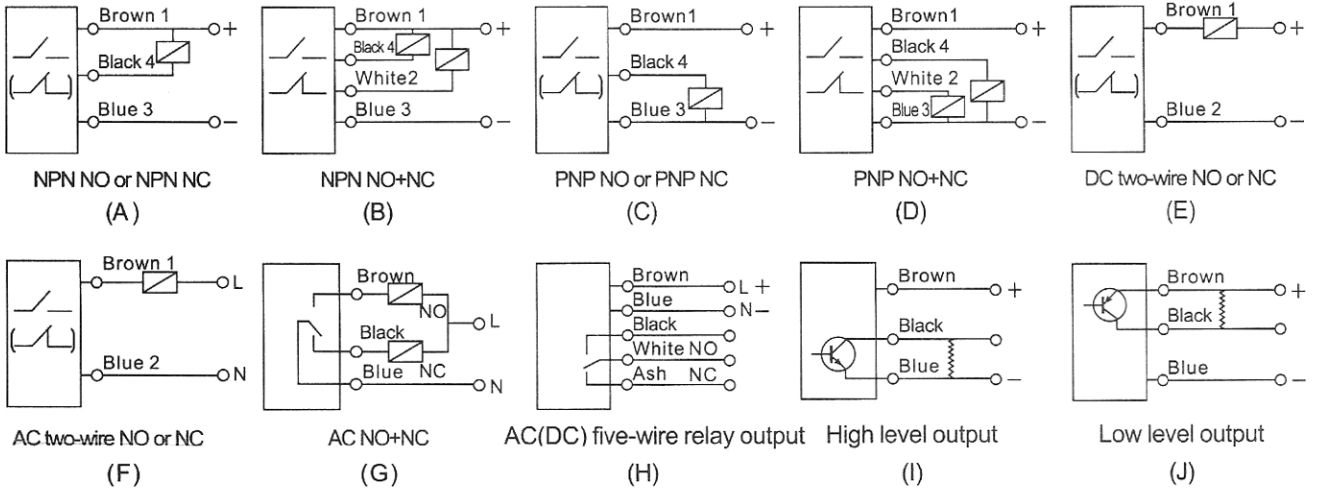
The instruction of proximity switch

Dear Customer: Thank you for choosing our products. Our products are widely used in machinery, chemicals, textiles, tobacco, printing, plastics, food, beer, mining, metallurgy, railway, elevators and other industrial automation industries, as machine limit, location detection, automatic counting, measuring the number of programmable control, signal transmission, isolation protection, liquid level control and other automation control equipment.

When you use our products, please be sure to read the instruction manual in order to avoid operational errors, resulting in unnecessary loss.

● Proximity switch is divided into Inductive type, Conductive type, Simulative type, Hall type and Magnetic type. The Switches support using with PLC programmable controller, microcontroller, non-gate circuits, electronics devices, solid state relay, relays. The details pls check our website.

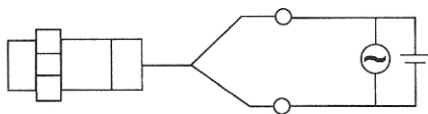
● Wiring diagram:



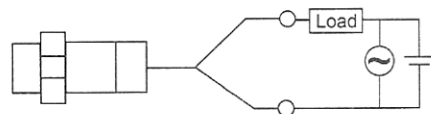
● Reliable movement distance (Sa) setting. When the target within the range of the rated detection distance, Reliable movement distance $s_a \leq 0.81s_n$.

● Standard sensing object: To Inductive type and Simulative type, the sensing object is square, thickness 1-2mm, the materials is steel ST-37, the surface shiny, and its side length is $3 \times s_n$. To Capacitive type can detect any object, detection distance is different due To the media. Hall-type and magnetic type switch test with the corresponding size of the magnet (Note: Hall of the magnet polarity detection for the N-pole).

● Precautions before using the switch : DC-type switch can connect with switchpower supply or DC voltage regulator, electric-power line and power line can not with the wire of the switch in the same groove, otherwise it would cause interference, the switch leading line should not exceed 200mm, so as to avoid pressure excessively. The transmitter of AC and DC Transmisson- type directly access power supplies, AC two-wire switch can not directly access the power switch ,must series the load,otherwise they will burn out, see figure below:

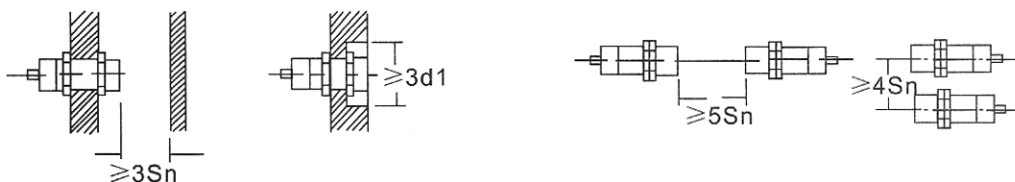


× False wiring



√ Correct wiring

● The correct installation method: When installed the switch near metal, and the switch Opposed or parallel in the circuit,the Installation dimensions should larger than following figure,So as not to affect the reliable movement of the switch



S_n is the detection distance, d_1 is the diameter of sensing surface.